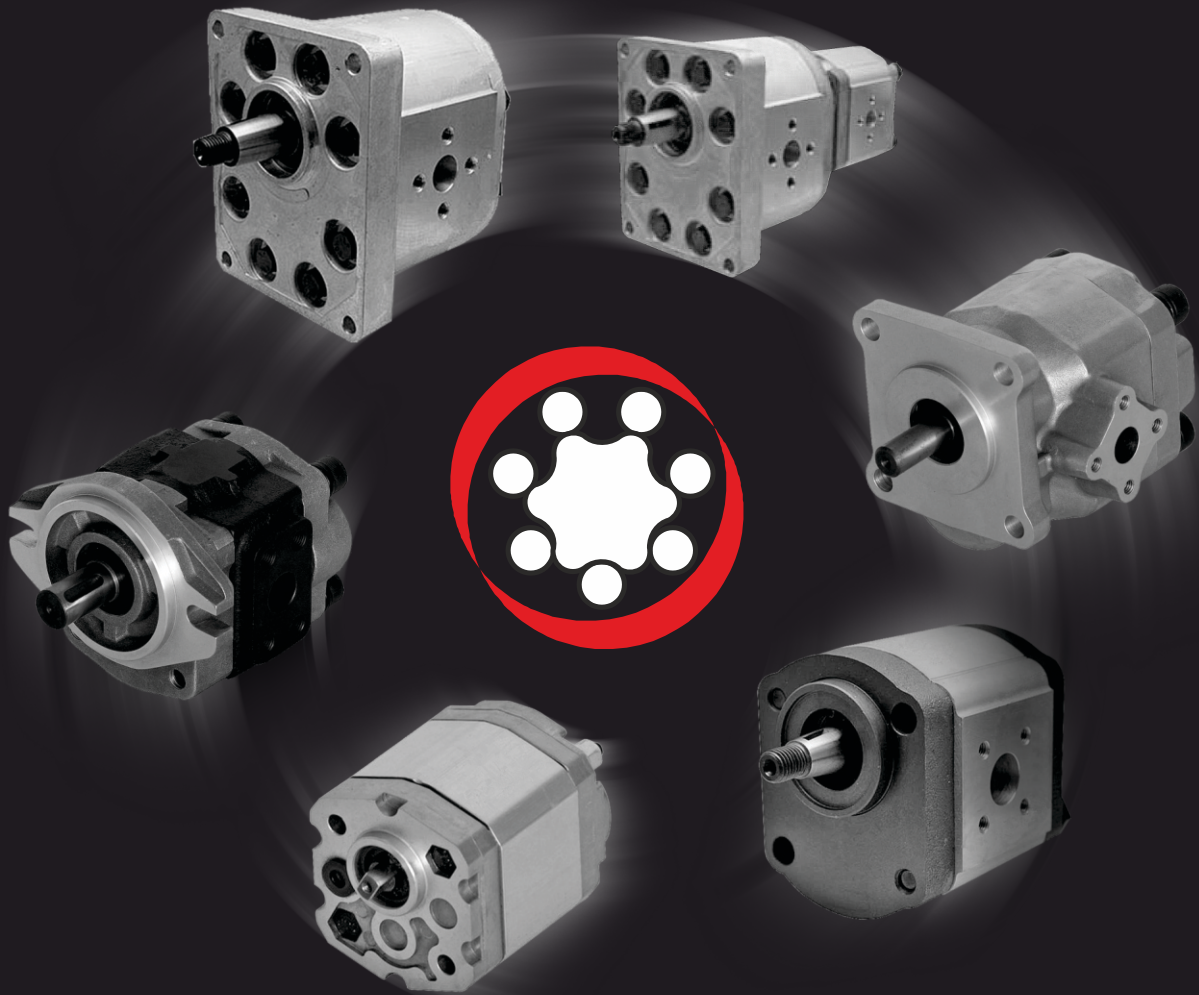


HENDERS[®] N Hydraulics

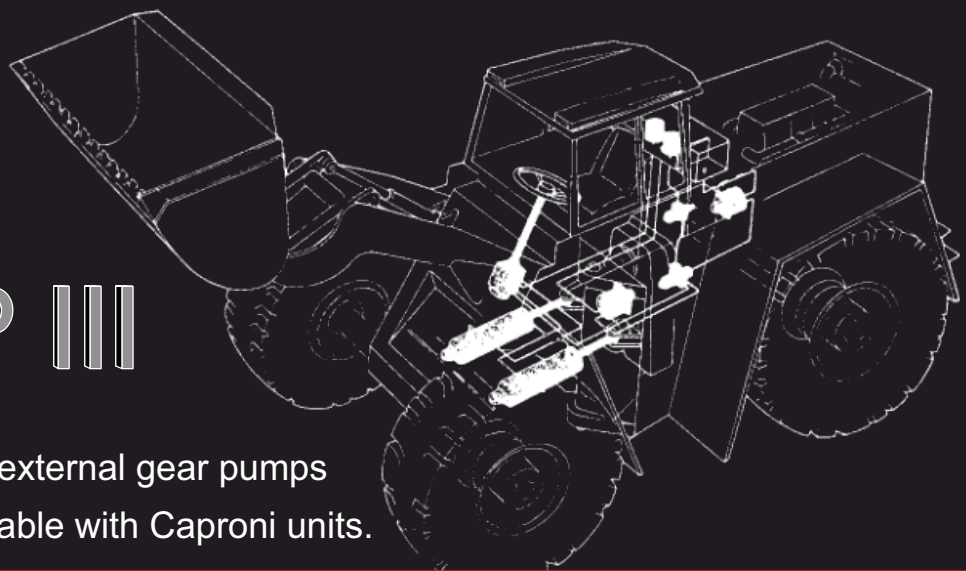
Hydraulic Gear Pumps



GROUP III

We offer wide range of external gear pumps completely interchangeable with Caproni units.

www.hendersonhydraulics.com



BASIC FORMULAS

The pump (motor) size, pressure and flow required for a specific application can be calculated using the formulas below.

Metric System

Inch System

Efficiency $\eta_t = \eta_{mh} \cdot \eta_v$ $\eta_{mh} = \frac{\eta_t}{\eta_v}$ $\eta_v = \frac{\eta_t}{\eta_{mh}}$

Efficiency $\eta_t = \eta_{mh} \cdot \eta_v$ $\eta_{mh} = \frac{\eta_t}{\eta_v}$ $\eta_v = \frac{\eta_t}{\eta_{mh}}$

Output flow (for pump) $Q = \frac{Vg \cdot n \cdot \eta_v}{1000}$ [l/min]

Output flow (for pump) $Q = \frac{Vg \cdot n \cdot \eta_v}{231}$ [GPM]

Driving torque (for pump) $M = \frac{Vg \cdot \Delta p}{62,8 \cdot \eta_{mh}}$ [Nm]

Driving torque (for pump) $M = \frac{Vg \cdot \Delta p}{2 \cdot \pi \cdot \eta_{mh}}$ [lb-in]

Input power (for pump) $P = \frac{M \cdot n}{9550} = \frac{Q \cdot \Delta p}{600 \cdot \eta_t}$ [kW]

Input power (for pump) $P = \frac{Vg \cdot n \cdot \Delta p}{396000 \cdot \eta_t}$ [hp]

Input flow (for Motor) $Q = \frac{Vg \cdot n}{1000 \cdot \eta_v}$ [l/min]

Input flow (for Motor) $Q = \frac{Vg \cdot n}{231 \cdot \eta_v}$ [GPM]

Output torque (for Motor) $M = \frac{Vg \cdot \Delta p \cdot \eta_{mh}}{62,8}$ [Nm]

Output torque (for Motor) $M = \frac{Vg \cdot \Delta p \cdot \eta_{mh}}{2 \cdot \pi}$ [lb-in]

Output power (for Motor) $P = \frac{M \cdot n}{9550} = \frac{Q \cdot \Delta p \cdot \eta_t}{600}$ [kW]

Output power (for Motor) $P = \frac{Vg \cdot n \cdot \Delta p \cdot \eta_t}{396000}$ [hp]

Speed (for Motor) $n = \frac{Q \cdot 1000 \cdot \eta_v}{Vg}$ [min⁻¹]

Speed (for Motor) $n = \frac{Q \cdot 231 \cdot \eta_v}{Vg}$ [min⁻¹]

- η_v = Volumetric efficiency
- η_{mh} = Mechanical-hydraulic efficiency
- η_t = Overall efficiency
- Vg = Displacement per rev. [cm³]
- Δp = $p_{HP} - p_{LP}$ [bar]
- p_{HP} = High pressure [bar]
- p_{LP} = Low pressure [bar]
- n = Rotation speed [RPM]
- Q = Oil flow [l/min]

- η_v = Volumetric efficiency
- η_{mh} = Mechanical-hydraulic efficiency
- η_t = Overall efficiency
- Vg = Displacement per rev. [in³]
- Δp = $p_{HP} - p_{LP}$ [PSI]
- p_{HP} = High pressure [PSI]
- p_{LP} = Low pressure [PSI]
- n = Rotation speed [RPM]
- Q = Oil flow [GPM]

CONTENTS

| Pump type | Page | Pump type | Page | Pump type | Page |
|--------------------|------|--------------------|------|---------------------|------|
| PGP30A(C)...X002H | 4 | PGP30A(C)...X247Y | 30 | PGP30A(C)...X379H | 56 |
| PGP30A(C)...X013H | 5 | PGP30A(C)...X248H | 31 | PGP30A(C)...X383HVU | 57 |
| PGP30A(C)...X068H | 6 | PGP30A(C)...X248Y | 32 | PGP30A(C)...X401HVU | 58 |
| PGP30A(C)...X068HU | 7 | PGP30A(C)...X263H | 33 | PGP30A(C)...X407H | 59 |
| PGP30A(C)...X136H | 8 | PGP30A(C)...X263WH | 34 | PGP30A(C)...X415H | 60 |
| PGP30A(C)...X136Y | 9 | PGP30A(C)...X274H | 35 | PGP30A(C)...X454H | 61 |
| PGP30A(C)...X146H | 10 | PGP30A(C)...X276H | 36 | PGP30A(C)...X455H | 62 |
| PGP30A(C)...X160H | 11 | PGP30A(C)...X277H | 37 | PGP30A(C)...X456HVU | 63 |
| PGP30A(C)...X160WH | 12 | PGP30A(C)...X277Y | 38 | PGP30A(C)...X456HWU | 64 |
| PGP30A(C)...X162H | 13 | PGP30A(C)...X300H | 39 | PGP40A(C)...X471H | 65 |
| PGP30A(C)...X163H | 14 | PGP30A(C)...X309H | 40 | PGP40A(C)...X473H | 66 |
| PGP30A(C)...X166H | 15 | PGP30A(C)...X323H | 41 | PGP30A(C)...X505H | 67 |
| PGP30A(C)...X169H | 16 | PGP30A(C)...X324H | 42 | PGP30A(C)...X547H | 68 |
| PGP30A(C)...X189H | 17 | PGP30A(C)...X325H | 43 | PGP30A(C)...X549H | 69 |
| PGP30A(C)...X190H | 18 | PGP30A(C)...X337H | 44 | PGP30A(C)...X569H | 70 |
| PGP30A(C)...X197H | 19 | PGP30A(C)...X338H | 45 | PGP30A(C)...X584H | 71 |
| PGP30A(C)...X198H | 20 | PGP30A(C)...X339H | 46 | PGP30A(C)...X610HV | 72 |
| PGP30A(C)...X236H | 21 | PGP30A(C)...X344H | 47 | PGP30A(C)...X611H | 73 |
| PGP30A(C)...X237H | 22 | PGP30A(C)...X345H | 48 | PGP30A(C)...X613H | 74 |
| PGP30A(C)...X239H | 23 | PGP30A(C)...X353H | 49 | PGP30A(C)...X615H | 75 |
| PGP30A(C)...X240H | 24 | PGP30A(C)...X356H | 50 | PGP30A(C)...X616H | 76 |
| PGP30A(C)...X241H | 25 | PGP40A(C)...X371H | 51 | PGP30A(C)...X617H | 77 |
| PGP30A(C)...X242H | 26 | PGP40A(C)...X372H | 52 | PGP30A(C)...X623H | 78 |
| PGP30A(C)...X245H | 27 | PGP40A(C)...X373H | 53 | PGP30A(C)...X624H | 79 |
| PGP30A(C)...X245HS | 28 | PGP40A(C)...X374H | 54 | PGP30A(C)...X675H | 80 |
| PGP30A(C)...X247H | 29 | PGP30A(C)...X376H | 55 | | |

GENERAL INFORMATION

Hydraulic Pumps Type PGP

Medium Duty External Gear Pumps Fixed Displacement for open loop circuit

APPLICATION

- » Open loop circuit
- » Agricultural machines
- » Road building machines
- » Mining machinery
- » Food industry machines
- » Special vehicles

OPTIONS

- » Port options
- » Shaft options
- » Flange options
- » High pressure ports
- » Valve options
- » Direction of rotation

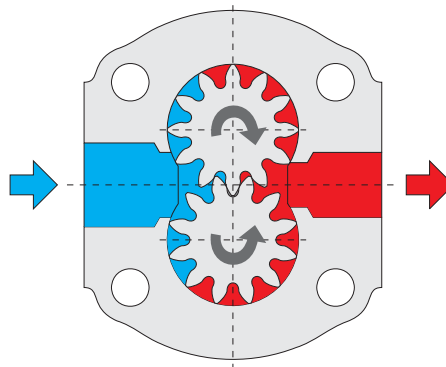
ADVANTAGES

- » Low pulsation
- » Compact size
- » Low cost

GENERAL

| | | | | |
|--|---|--|--|---|
| Displacement, | cm ³ /rev [in ³ /rev] | 20÷60 [1.220÷3.66] | | |
| Max. Driving Speed, | RPM | 3500 (depending from displacement and type) | | |
| Inlet Pressure, absolute | bar [PSI] | 0.8 [11.6] to 2.2 [32] | | |
| Fluid velocity in suction line, | m/s [IPS] | 0.5 [0.0127] to 1 [0.0254] | | |
| Fluid | | Mineral based- HLP(DIN 51524) or HM(ISO 6743/4) | | |
| Optimal Viscosity Range, | mm ² /s [SUS] | 12÷100 [60÷456] | | |
| Temperature, | C [°F] | Min starting | Max continuous | Max peak |
| Mineral oil, NBR seal | | -25 [-13] | 80 [176] | 100 [212] |
| Filtration, | working pressure bar [PSI] | $\Delta p < 140$ $\Delta p < [2030]$ | $140 < \Delta p < 210$ $[2030] < \Delta p < [3045]$ | $\Delta p > 210$ $\Delta p > [3045]$ |
| | Contamination class NAS 1638 | 10 | 9 | 8 |
| | Contamination class ISO 4406 | 21/19/16 | 20/18/15 | 19/17/14 |
| | Achieved with filter $\beta_{X(c)} 75$ | 25 μm | 10 μm | 10 μm |

INLET PORT
(suction port)



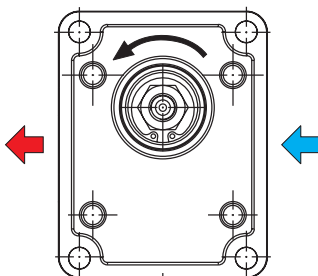
OUTLET PORT
(high pressure port)

A - ANTI CLOCKWISE ROTATION

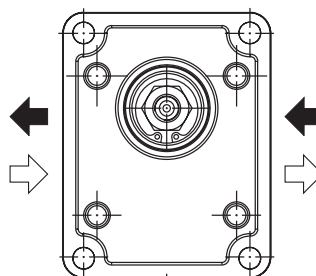
R - REVERSIBLE ROTATION

C - CLOCKWISE ROTATION

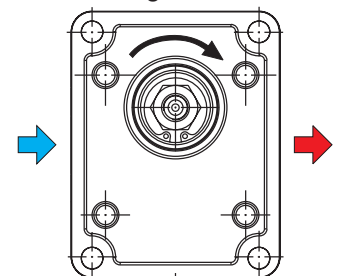
CCW, Left direction



CW and CCW directions



CW, Right direction



ORDERING CODE

| | | | | | | | |
|----------|----------|----------|----------|----------|----------|----------|----------|
| | | 1 | 2 | 3 | 4 | 5 | 6 |
| P | G | P | 3 | 0 | | | |

Pos.1 - Direction of Rotation

- A** - CCW, Left direction
- C** - CW, Right direction
- R** - CW or CCW, Reversible

Pos.2 - Displacement Code

- 20** - 20 cm³/rev [1.22 in³/rev]
- 22.5** - 22.5 cm³/rev [1.373 in³/rev]
- 25** - 25 cm³/rev [1.526 in³/rev]
- 28** - 28 cm³/rev [1.709 in³/rev]
- 32** - 32 cm³/rev [1.953 in³/rev]
- 36** - 36 cm³/rev [2.197 in³/rev]
- 42** - 42 cm³/rev [2.563 in³/rev]
- 46** - 46 cm³/rev [2.807 in³/rev]
- 50** - 50 cm³/rev [3.051 in³/rev]
- 55** - 55 cm³/rev [3.356 in³/rev]
- 60** - 60 cm³/rev [3.661 in³/rev]

Pos.3 - Drive Shaft

- X** - Through the front cover
- Y** - Through the front and end covers

Pos.4 - Pump CODE

*****(*)** - Please check pump types

Pos.5 - Ports

- none** - Flange with metric threads
- P4** - Flange with SAE threads
- M** - Metric threads
- G** - BSP threads
- G** - BSP threads
- U** - SAE J475 threads

Pos.6 - Design Series

default - Factory specified

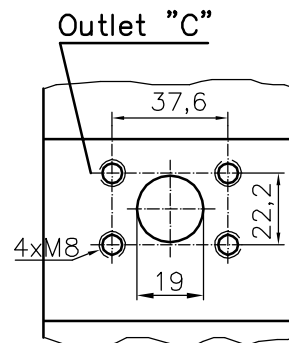
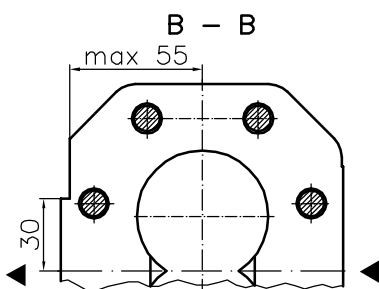
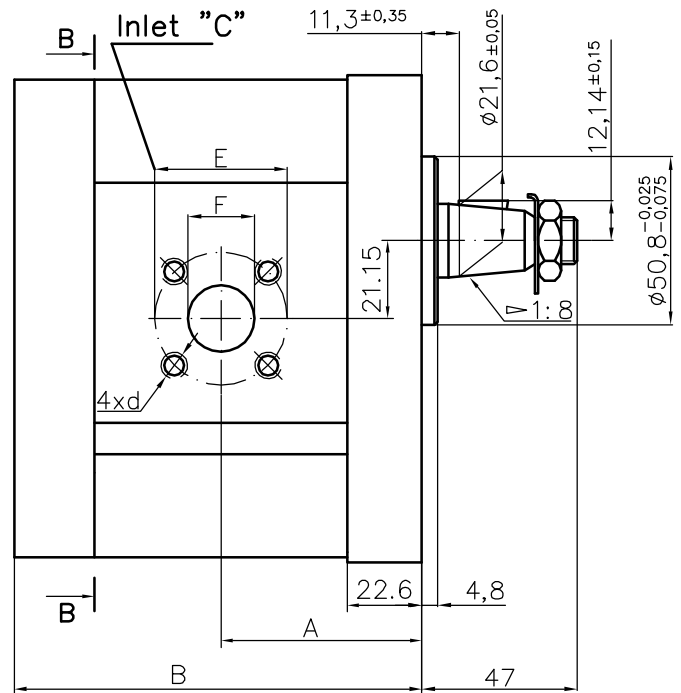
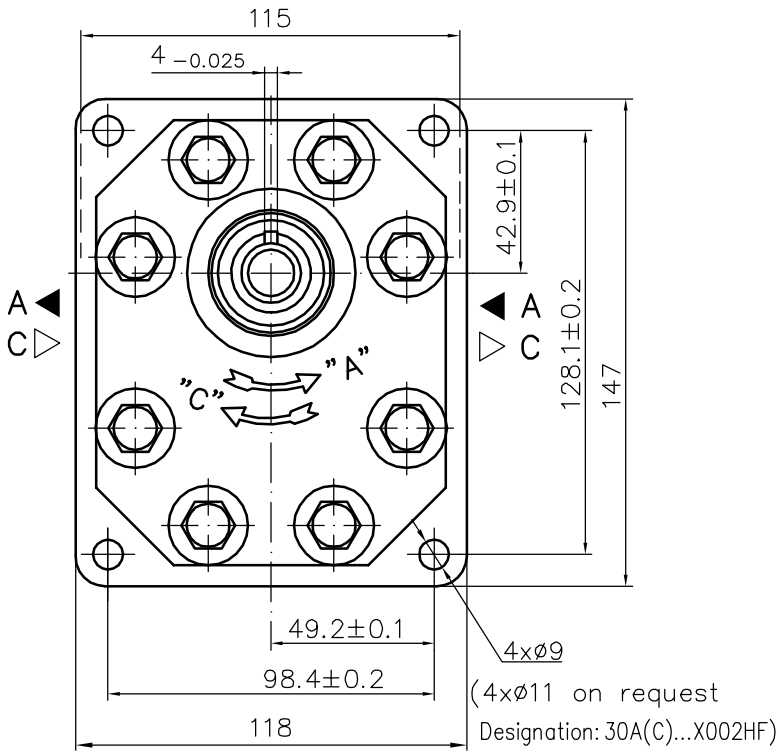
EXAMPLE

| Type | Displacement cm ³ /rev | Flow | | Pressure P _{nom} bar | max Speed n rpm | Dimension | | | | | | | |
|-----------------|--------------------------------------|----------------------|---------------------|-------------------------------------|-----------------------|-----------|---------|---------|---------|---------|---------|---------|---------|
| | | at 1500 rpm l/min | at max rpm l/min | | | A mm | B mm | Inlet | | Outlet | | | |
| | | | | | | | | M | G | G3 | M | G | G3 |
| 30A(C)20X163H | 20 | 28,2 | 56,4 | 250 | 3000 | 56,1 | 116,7 | M27x1,5 | G3/4"-A | G3/4"-A | M27x1,5 | G3/4"-A | G1/2"-A |
| 30A(C)22,2X163H | 22,5 | 31,7 | 63,5 | 250 | 3000 | 57,6 | 119,7 | | | | | | |
| 30A(C)25X163H | 25 | 35,3 | 70,5 | 250 | 3000 | 58,3 | 121,1 | | | | | | |
| 30A(C)28X163H | 28 | 39,5 | 79,0 | 250 | 3000 | 60,2 | 124,7 | | | | | | |
| | | | | | | | | | | | | | |

PGP30C22.2X163HG - Hydraulic gear pump, III group, direction of rotation - clockwise, displacement 22.2 cm³/rev
X option shaft through the front cover, configuration 163H, G thread option - Inlet thread G3/4, Outlet thread G3/4

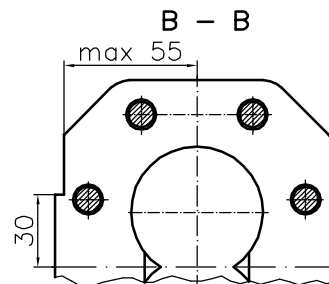
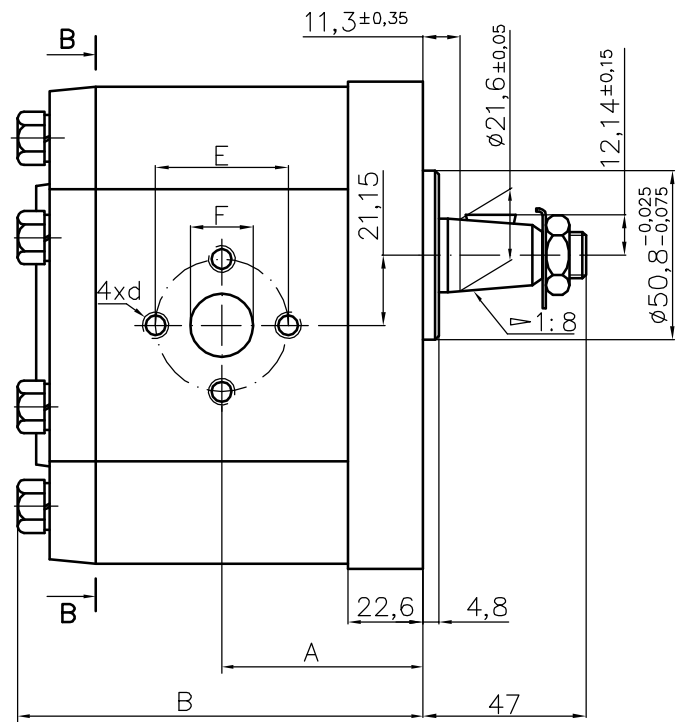
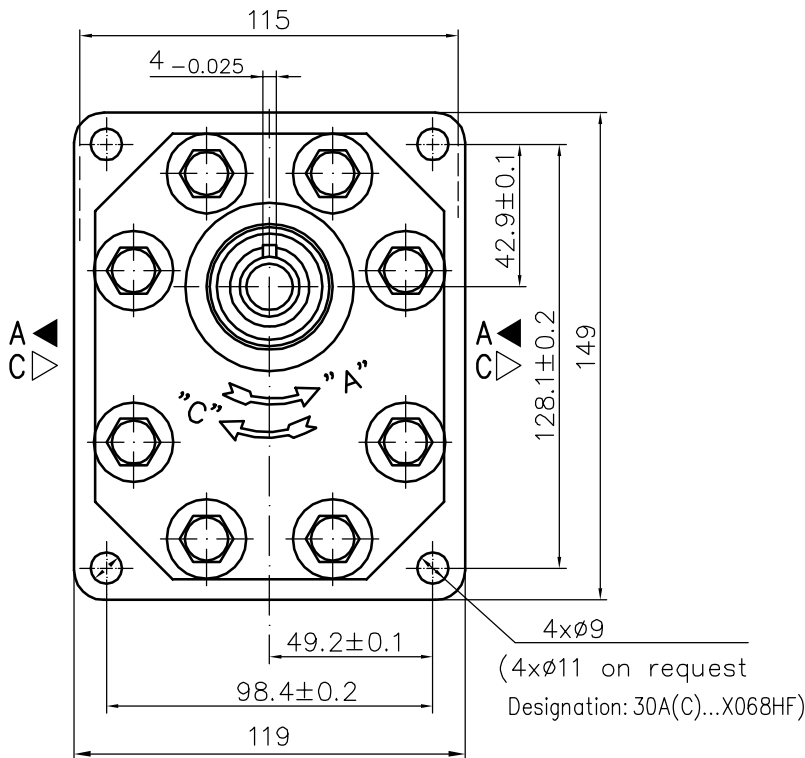
GEAR PUMP TYPE PGP 30A(C)...X002H

| Type | Displacement cm ³ /rev | Flow | | Pressure P _{nom} bar | max Speed n rpm | Dimension | | | | | | | | | |
|-----------------|--------------------------------------|----------------------|---------------------|-------------------------------------|-----------------------|-----------|---------|-------|-----|----|--|--------|----|------|------|
| | | at 1500 rpm l/min | at max rpm l/min | | | A mm | B mm | Inlet | | | | Outlet | | | |
| | | | | | | | | E | d | F1 | | F2 | d | H2 | L2 |
| 30A(C)20X002H | 20 | 28,2 | 56,4 | 250 | 3000 | 56,1 | 116,7 | 40 | M8 | 19 | | 19 | M8 | 37,6 | 22,2 |
| 30A(C)22,2X002H | 22,5 | 31,7 | 63,5 | 250 | 3000 | 57,6 | 119,7 | | | | | | | | |
| 30A(C)25X002H | 25 | 35,3 | 70,5 | 250 | 3000 | 58,3 | 121,1 | | | | | | | | |
| 30A(C)28X002H | 28 | 39,5 | 79,0 | 250 | 3000 | 60,2 | 124,7 | | | | | | | | |
| 30A(C)32X002 | 32 | 45,1 | 75,2 | 250 | 2500 | 62,0 | 128,3 | | | | | | | | |
| 30A(C)32X002H | 32 | 45,1 | 90,2 | 250 | 3000 | 66,5 | 137,3 | | | | | | | | |
| 30A(C)36X002 | 36 | 50,8 | 84,6 | 250 | 2500 | 63,5 | 131,4 | 51 | M10 | 27 | | 19 | M8 | 37,6 | 22,2 |
| 30A(C)36X002H | 36 | 51,3 | 95,8 | 250 | 2800 | 68,0 | 140,5 | | | | | | | | |
| 30A(C)42X002 | 42 | 59,9 | 91,8 | 230 | 2300 | 66,3 | 137,0 | 51 | M10 | 27 | | 19 | M8 | 37,6 | 22,2 |
| 30A(C)42X002H | 42 | 59,9 | 99,8 | 230 | 2500 | 70,8 | 146,1 | | | | | | | | |
| 30A(C)46X002H | 46 | 65,6 | 100,5 | 230 | 2300 | 72,7 | 149,8 | | | | | | | | |
| 30A(C)50X002H | 50 | 71,3 | 99,8 | 200 | 2100 | 74,5 | 153,4 | | | | | | | | |
| 30A(C)55X002H | 55 | 78,4 | 91,4 | 200 | 1750 | 76,7 | 157,9 | | | | | | | | |
| 30A(C)60X002H | 60 | 85,5 | 99,8 | 180 | 1750 | 78,7 | 162,4 | | | | | | | | |



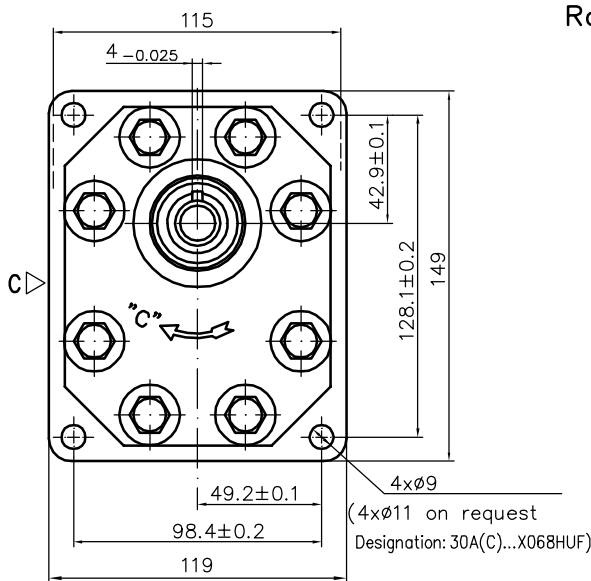
GEAR PUMP TYPE PGP 30A(C)...X068H

| Type | Displacement cm ³ /rev | Flow | | Pressure P _{nom} bar | max Speed n rpm | Dimension | | | | | | | |
|-----------------|--------------------------------------|----------------------|---------------------|-------------------------------------|-----------------------|-----------|---------|---------|---------|---------|---------|---------|---------|
| | | at 1500 rpm l/min | at max rpm l/min | | | Inlet | | Outlet | | | | | |
| | | | | | | A mm | B mm | E mm | d mm | F mm | E mm | d mm | F mm |
| 30A(C)20X068H | 20 | 28,2 | 56,4 | 250 | 3000 | 56,1 | 116,7 | ø40 | M8 | ø19 | | | |
| 30A(C)22,2X068H | 22,5 | 31,7 | 63,5 | 250 | 3000 | 57,6 | 119,7 | | | | | | |
| 30A(C)25X068H | 25 | 35,3 | 70,5 | 250 | 3000 | 58,3 | 121,1 | | | | | | |
| 30A(C)28X068H | 28 | 39,5 | 79,0 | 250 | 3000 | 60,2 | 124,7 | | | | | | |
| 30A(C)32X068 | 32 | 45,1 | 75,2 | 250 | 2500 | 62,0 | 128,3 | | | | | | |
| 30A(C)32X068H | 32 | 45,1 | 90,2 | 250 | 3000 | 66,5 | 137,3 | | | | | | |
| 30A(C)36X068 | 36 | 50,8 | 84,6 | 250 | 2500 | 63,5 | 131,4 | | | | | | |
| 30A(C)36X068H | 36 | 51,3 | 95,8 | 250 | 2800 | 68,0 | 140,5 | | | | | | |
| 30A(C)42X068 | 42 | 59,9 | 91,8 | 230 | 2300 | 66,3 | 137,0 | | | | | | |
| 30A(C)42X068H | 42 | 59,9 | 99,8 | 230 | 2500 | 70,8 | 146,1 | | | | | | |
| 30A(C)46X068H | 46 | 65,6 | 100,5 | 230 | 2300 | 72,7 | 149,8 | ø51 | M10 | ø27 | | | |
| 30A(C)50X068H | 50 | 71,3 | 99,8 | 200 | 2100 | 74,5 | 153,4 | | | | | | |
| 30A(C)55X068H | 55 | 78,4 | 91,4 | 200 | 1750 | 76,7 | 157,9 | | | | | | |
| 30A(C)60X068H | 60 | 85,5 | 99,8 | 180 | 1750 | 78,7 | 162,4 | | | | | | |

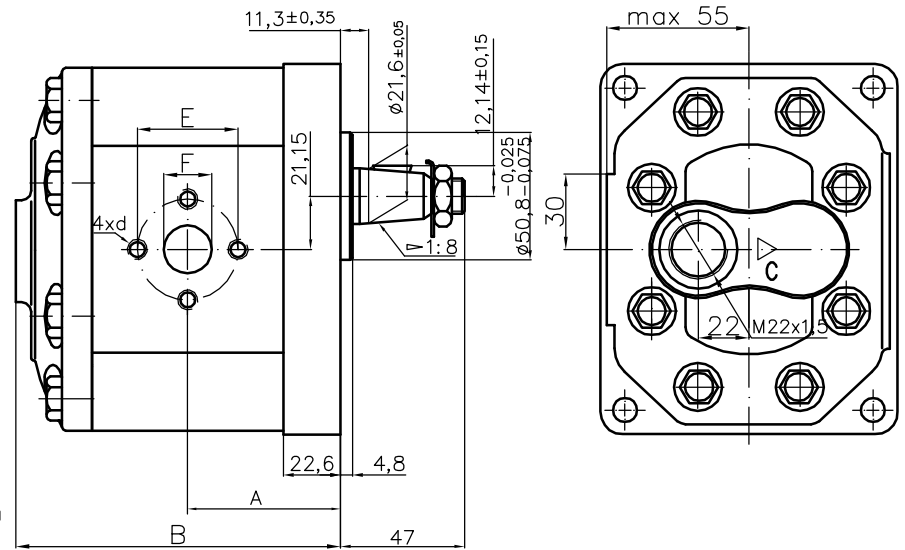


GEAR PUMP TYPE PGP 30A(C)...X068HU

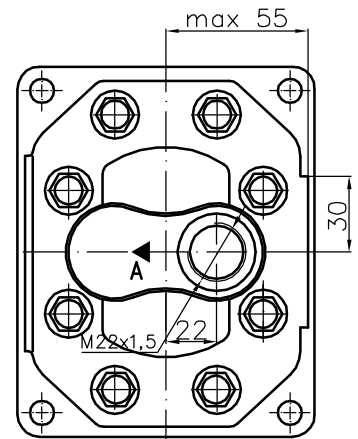
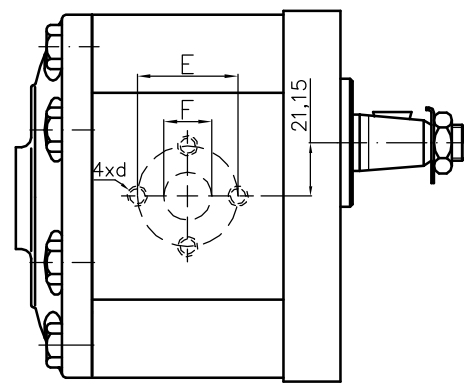
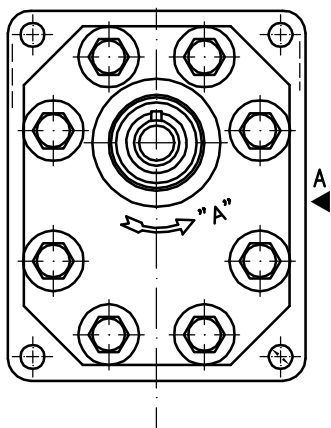
| Type | Displacement cm ³ /rev | Flow | | Pressure P _{nom} bar | max Speed n rpm | Dimension | | | | | |
|------------------|--------------------------------------|----------------------|---------------------|-------------------------------------|-----------------------|-----------|-------|--------|-----|---------|------------|
| | | at 1500 rpm l/min | at max rpm l/min | | | Inlet | | Outlet | | A mm | B mm |
| | | | | | | E | d | F | E | d | F |
| 30A(C)20X068HU | 20 | 28,2 | 56,4 | 250 | 3000 | 56,1 | 118,7 | | | | |
| 30A(C)22,2X068HU | 22,5 | 31,7 | 63,5 | 250 | 3000 | 57,6 | 121,7 | ø40 | M8 | ø19 | |
| 30A(C)25X068HU | 25 | 35,3 | 70,5 | 250 | 3000 | 58,3 | 123,1 | | | | |
| 30A(C)28X068HU | 28 | 39,5 | 79,0 | 250 | 3000 | 60,2 | 126,7 | | | | |
| 30A(C)32X068U | 32 | 45,1 | 75,2 | 250 | 2500 | 62,0 | 130,3 | | | | |
| 30A(C)32X068HU | 32 | 45,1 | 90,2 | 250 | 3000 | 66,5 | 139,3 | | | | |
| 30A(C)36X068U | 36 | 50,8 | 84,6 | 250 | 2500 | 63,5 | 133,4 | | | | |
| 30A(C)36X068HU | 36 | 51,3 | 95,8 | 250 | 2800 | 68,0 | 142,5 | | | | ø40 M8 ø19 |
| 30A(C)42X068U | 42 | 59,9 | 91,8 | 230 | 2300 | 66,3 | 139,0 | ø51 | M10 | ø27 | |
| 30A(C)42X068HU | 42 | 59,9 | 99,8 | 230 | 2500 | 70,8 | 148,1 | | | | |
| 30A(C)46X068HU | 46 | 65,6 | 100,5 | 230 | 2300 | 72,7 | 151,8 | | | | |
| 30A(C)50X068HU | 50 | 71,3 | 99,8 | 200 | 2100 | 74,5 | 155,4 | | | | |
| 30A(C)55X068HU | 55 | 78,4 | 91,4 | 200 | 1750 | 76,7 | 159,9 | | | | |
| 30A(C)60X068HU | 60 | 85,5 | 99,8 | 180 | 1750 | 78,7 | 164,4 | | | | |



Rotation "C"

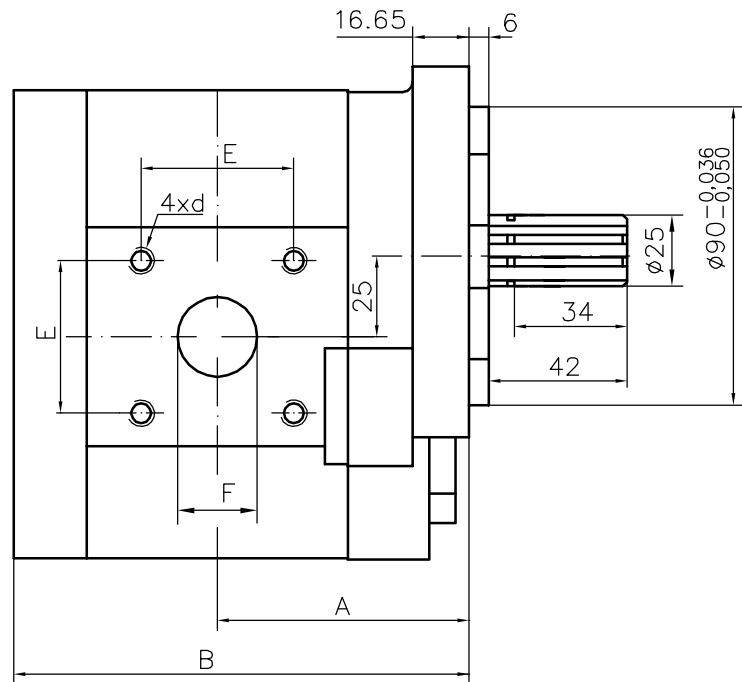
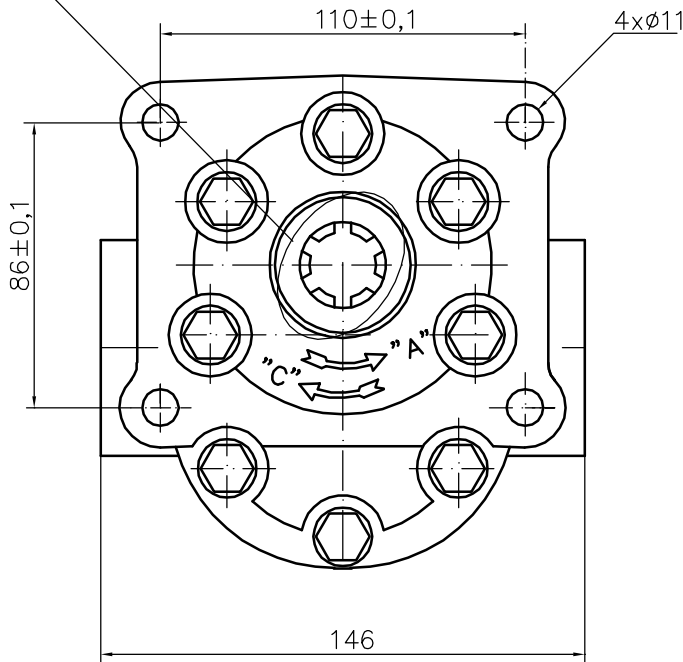
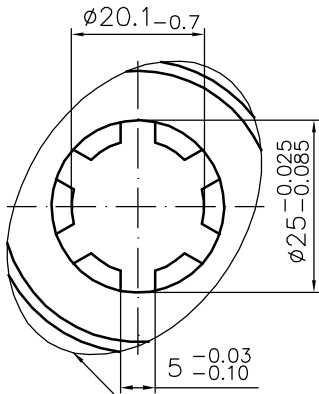


Rotation "A"



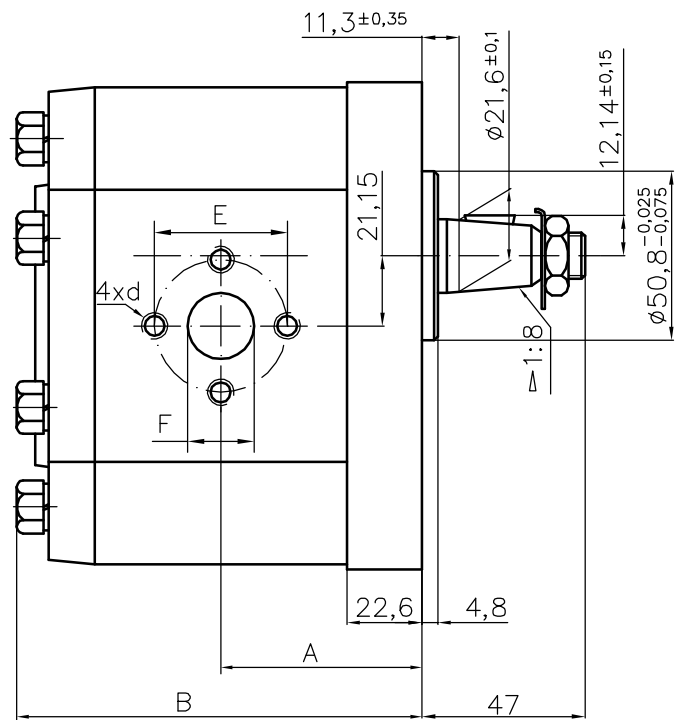
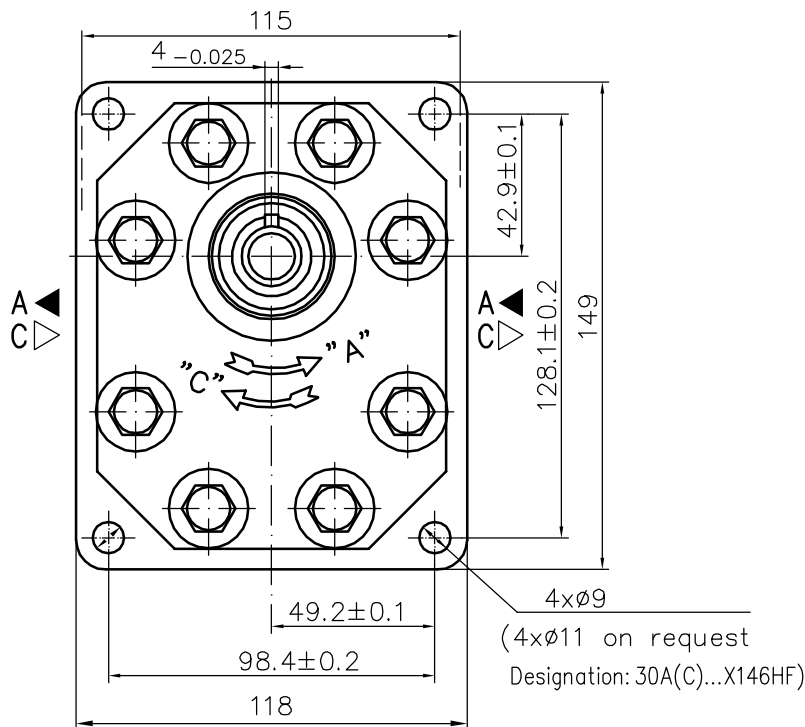
GEAR PUMP TYPE PGP 30A(C)...X136H

| Type | Displacement cm ³ /rev | Flow | | Pressure P _{nom} bar | max Speed n rpm | Dimension | | | | | | | |
|---------------|--------------------------------------|----------------------|---------------------|-------------------------------------|-----------------------|-----------|---------|--------|-----|----|----|-----|----|
| | | at 1500 rpm l/min | at max rpm l/min | | | Inlet | | Outlet | | | | | |
| | | | | | | A mm | B mm | E | d | F | E | d | F |
| 30A(C)25X136 | 24,5 | 34,5 | 69,1 | 200 | 3000 | 72,5 | 130,1 | 46 | M8 | 20 | 46 | M8 | 20 |
| 30A(C)32X136 | 32 | 45,1 | 75,2 | 200 | 2500 | 76,0 | 137,4 | 46 | M8 | 22 | 46 | M8 | 22 |
| 30A(C)32X136H | 32 | 45,1 | 75,2 | 200 | 2500 | 76,0 | 137,9 | | | | | | |
| 30A(C)46X136 | 46 | 65,6 | 100,5 | 190 | 2300 | 72,5 | 141,4 | 54 | M10 | 27 | 54 | M10 | 27 |
| 30A(C)46X136H | 46 | 65,6 | 100,5 | 190 | 2300 | 72,5 | 150,4 | | | | | | |
| 30A(C)50X136 | 50 | 71,3 | 99,8 | 175 | 2100 | 72,5 | 145,0 | | | | | | |
| 30A(C)50X136H | 50 | 71,3 | 99,8 | 175 | 2100 | 72,5 | 154,0 | | | | | | |



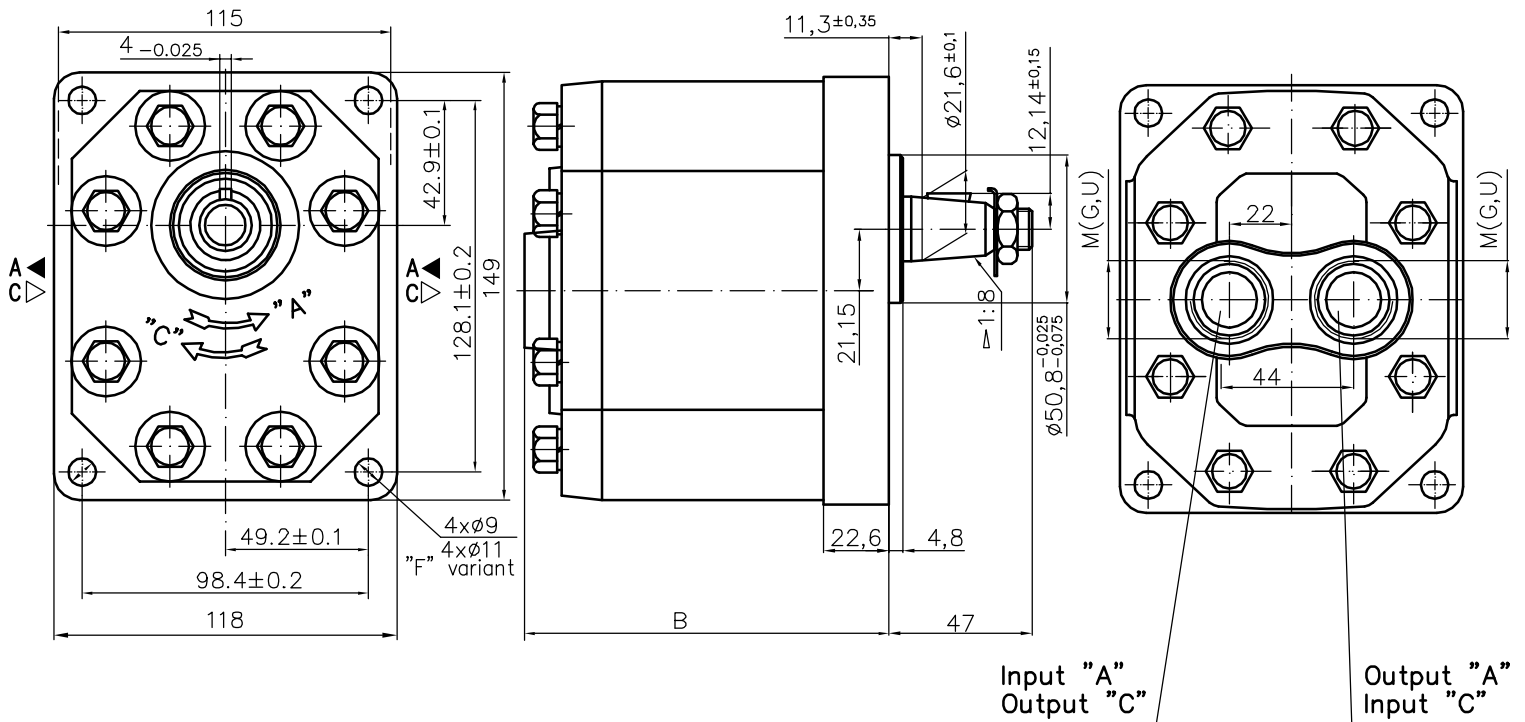
GEAR PUMP TYPE PGP 30A(C)...X146H

| Type | Displacement cm ³ /rev | Flow | | Pressure P _{nom} bar | max Speed n rpm | Dimension | | | | | | | |
|-----------------|--------------------------------------|-------------|------------|-------------------------------------|-----------------------|-----------|-------|--------|-----|----|----|----|----|
| | | at 1500 rpm | at max rpm | | | Inlet | | Outlet | | | | | |
| | | l/min | l/min | | | E | d | F | E | d | F | | |
| 30A(C)20X146H | 20 | 28,2 | 56,4 | 250 | 3000 | 56,1 | 116,7 | 40 | M8 | 19 | 40 | M8 | 19 |
| 30A(C)22,2X146H | 22,5 | 31,7 | 63,5 | 250 | 3000 | 57,6 | 119,7 | | | | | | |
| 30A(C)25X146H | 25 | 35,3 | 70,5 | 250 | 3000 | 58,3 | 121,1 | | | | | | |
| 30A(C)28X146H | 28 | 39,5 | 79,0 | 250 | 3000 | 60,2 | 124,7 | | | | | | |
| 30A(C)32X146 | 32 | 45,1 | 75,2 | 250 | 2500 | 62,0 | 128,3 | 51 | M10 | 27 | 40 | M8 | 19 |
| 30A(C)32X146H | 32 | 45,1 | 90,2 | 250 | 3000 | 66,5 | 137,3 | | | | | | |
| 30A(C)36X146 | 36 | 50,8 | 84,6 | 250 | 2500 | 63,5 | 131,4 | | | | | | |
| 30A(C)36X146H | 36 | 51,3 | 95,8 | 250 | 2800 | 68,0 | 140,5 | | | | | | |
| 30A(C)42X146 | 42 | 59,9 | 91,8 | 230 | 2300 | 66,3 | 137,0 | | | | | | |
| 30A(C)42X146H | 42 | 59,9 | 99,8 | 230 | 2500 | 70,8 | 146,1 | | | | | | |
| 30A(C)46X146H | 46 | 65,6 | 100,5 | 230 | 2300 | 72,7 | 149,8 | | | | | | |
| 30A(C)50X146H | 50 | 71,3 | 99,8 | 200 | 2100 | 74,5 | 153,4 | | | | | | |
| 30A(C)55X146H | 55 | 78,4 | 91,4 | 200 | 1750 | 76,7 | 157,9 | | | | | | |
| 30A(C)60X146H | 60 | 85,5 | 99,8 | 180 | 1750 | 78,7 | 162,4 | | | | | | |



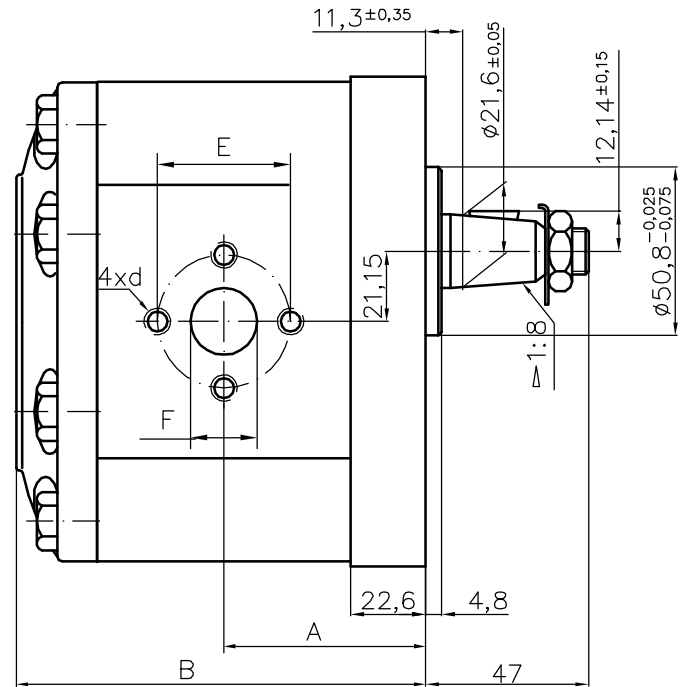
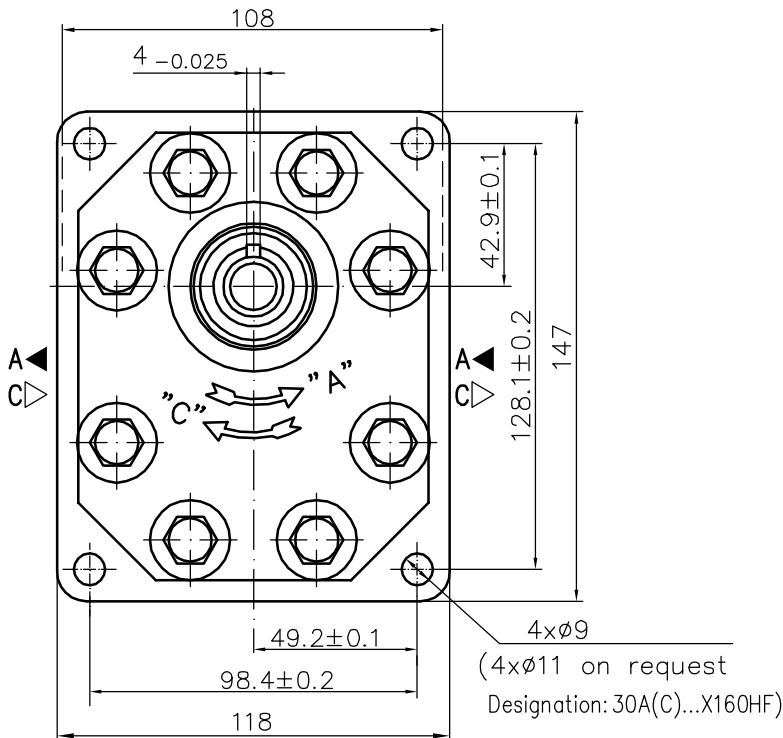
GEAR PUMP TYPE PGP 30A(C)...X146HW...

| Type | Displacement cm ³ /rev | Flow | | Pressure P _{nom} bar | max Speed n rpm | Dimension | | | | | | | |
|---------------------|--------------------------------------|----------------------|---------------------|-------------------------------------|-----------------------|-----------|-------|---------|--------|---|---------|----------|--|
| | | at 1500 rpm l/min | at max rpm l/min | | | Inlet | | Outlet | | | | | |
| | | A | B | | | M | G | U | M | G | U | | |
| 30A(C)20X146HW... | 20 | 28,2 | 56,4 | 250 | 3000 | 56,1 | 119,7 | M33x1.5 | G1 - A | | M27x1.5 | G3/4 - A | |
| 30A(C)22,5X146HW... | 22,5 | 31,7 | 63,5 | 250 | 3000 | 57,6 | 122,7 | | | | | | |
| 30A(C)25X146HW... | 25 | 35,3 | 70,5 | 250 | 3000 | 58,3 | 124,1 | | | | | | |
| 30A(C)28X146HW... | 28 | 39,5 | 79,0 | 250 | 3000 | 60,2 | 127,7 | | | | | | |
| 30A(C)32X146W... | 32 | 45,1 | 75,2 | 250 | 2500 | 62,0 | 131,3 | | | | | | |
| 30A(C)32X146HW... | 32 | 45,1 | 90,2 | 250 | 3000 | 66,5 | 140,3 | | | | | | |
| 30A(C)36X146W... | 36 | 50,8 | 84,6 | 250 | 2500 | 63,5 | 134,4 | | | | | | |
| 30A(C)36X146HW... | 36 | 51,3 | 95,8 | 250 | 2800 | 68,0 | 143,5 | | | | | | |
| 30A(C)42X146W... | 42 | 59,9 | 91,8 | 230 | 2300 | 66,3 | 140,0 | | | | | | |
| 30A(C)42X146HW... | 42 | 59,9 | 99,8 | 230 | 2500 | 70,8 | 149,1 | | | | | | |
| 30A(C)46X146HW... | 46 | 65,6 | 100,5 | 210 | 2300 | 72,7 | 152,8 | | | | | | |
| 30A(C)50X146HW... | 50 | 71,3 | 99,8 | 185 | 2100 | 74,5 | 156,4 | | | | | | |
| 30A(C)55X146HW... | 55 | 78,4 | 91,4 | 165 | 1750 | 76,7 | 160,9 | | | | | | |
| 30A(C)60X146HW... | 60 | 85,5 | 99,8 | 150 | 1750 | 78,7 | 165,4 | | | | | | |



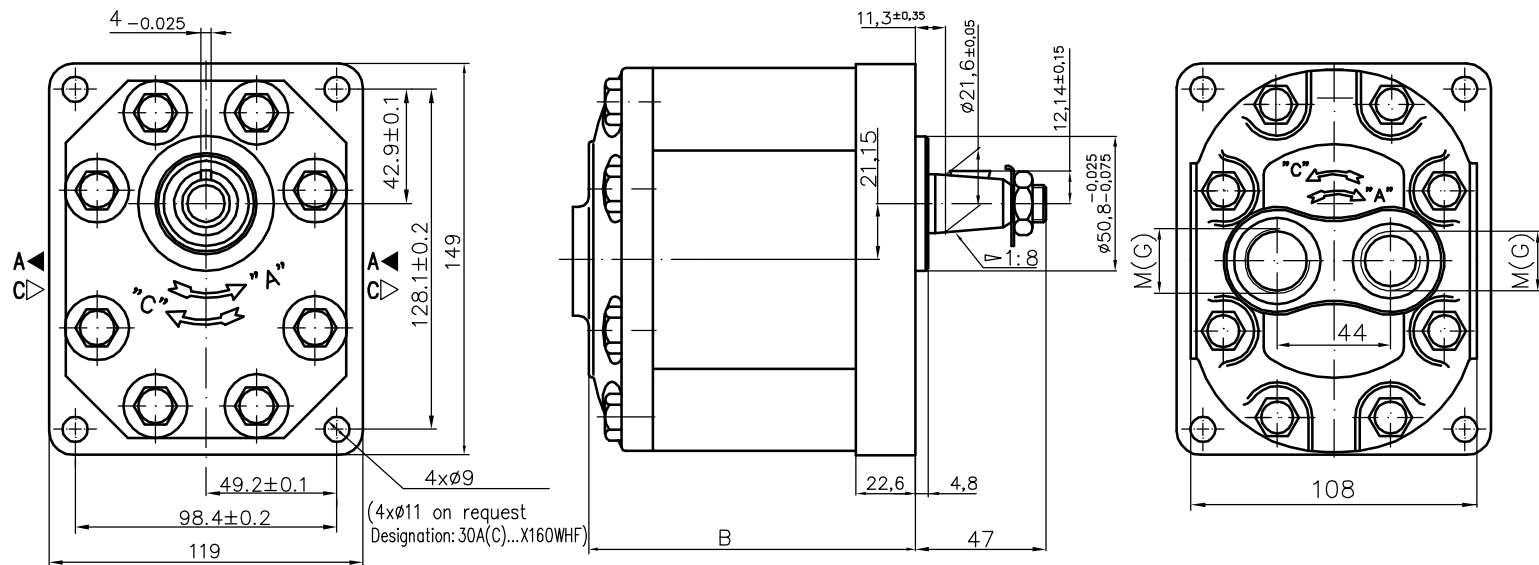
GEAR PUMP TYPE PGP 30A(C)...X160H

| Type | Displacement cm ³ /rev | Flow | | Pressure P _{nom} bar | max Speed n rpm | Dimension | | | | | | | |
|-----------------|--------------------------------------|----------------------|---------------------|-------------------------------------|-----------------------|-----------|-------|----|--------|----|----|----|----|
| | | at 1500 rpm l/min | at max rpm l/min | | | Inlet | | | Outlet | | | | |
| | | A | B | E | d | F | E | d | F | | | | |
| 30A(C)20X160H | 20 | 28,2 | 56,4 | 200 | 3000 | 56,1 | 116,7 | 40 | M8 | 19 | 40 | M8 | 19 |
| 30A(C)22,2X160H | 22,5 | 31,7 | 63,5 | 200 | 3000 | 57,6 | 119,7 | | | | | | |
| 30A(C)25X160H | 25 | 35,3 | 70,5 | 200 | 3000 | 58,3 | 121,1 | | | | | | |
| 30A(C)28X160H | 28 | 39,5 | 79,0 | 200 | 3000 | 60,2 | 124,7 | | | | | | |
| 30A(C)32X160 | 32 | 45,1 | 75,2 | 200 | 2500 | 62,0 | 128,3 | | | | | | |
| 30A(C)32X160H | 32 | 45,1 | 90,2 | 200 | 3000 | 66,5 | 137,3 | 51 | M10 | 27 | 40 | M8 | 19 |
| 30A(C)36X160 | 36 | 50,8 | 84,6 | 190 | 2500 | 63,5 | 131,4 | | | | | | |
| 30A(C)36X160H | 36 | 51,3 | 95,8 | 190 | 2800 | 68,0 | 140,5 | | | | | | |
| 30A(C)42X160 | 42 | 59,9 | 91,8 | 190 | 2300 | 66,3 | 137,0 | | | | | | |
| 30A(C)42X160H | 42 | 59,9 | 99,8 | 190 | 2500 | 70,8 | 146,1 | | | | | | |
| 30A(C)46X160H | 46 | 65,6 | 100,5 | 175 | 2300 | 72,7 | 149,8 | | | | | | |
| 30A(C)50X160H | 50 | 71,3 | 99,8 | 175 | 2100 | 74,5 | 153,4 | | | | | | |
| 30A(C)55X160H | 55 | 78,4 | 91,4 | 175 | 1750 | 76,7 | 157,9 | | | | | | |
| 30A(C)60X160H | 60 | 85,5 | 99,8 | 160 | 1750 | 78,7 | 162,4 | | | | | | |



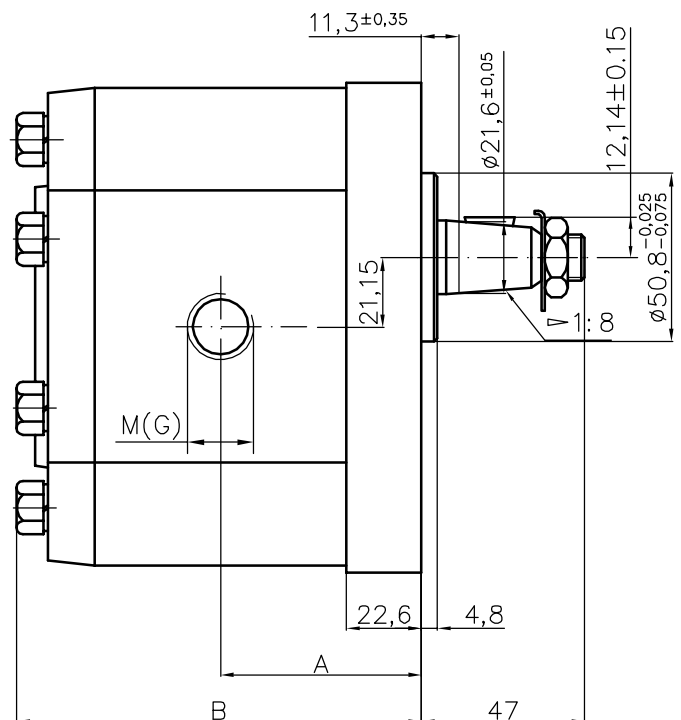
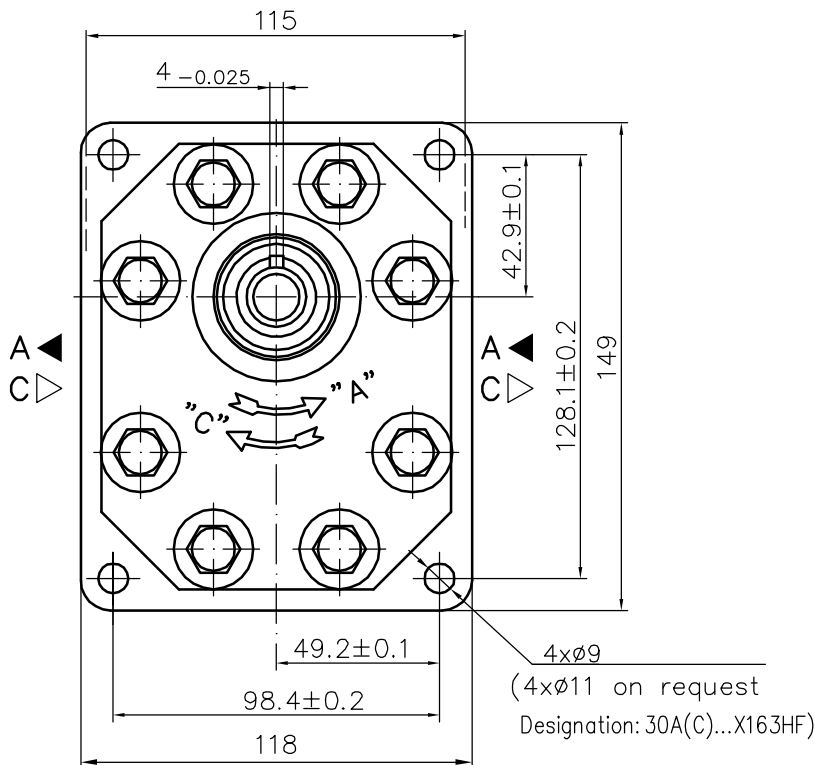
GEAR PUMP TYPE PGP 30A(C)...X160WH

| Type | Displacement cm ³ /rev | Flow | | Pressure P _{nom} bar | max Speed n rpm | Dimension | | | | | | |
|------------------|--------------------------------------|----------------------|---------------------|-------------------------------------|-----------------------|-----------|---------|---------|-------|--|---------|---------|
| | | at 1500 rpm l/min | at max rpm l/min | | | Inlet | | Outlet | | | | |
| | | | | | | A mm | B mm | M | G | | M | G |
| 30A(C)20X160WH | 20 | 28,2 | 56,4 | 200 | 3000 | | 118,7 | M33x1,5 | G1"-A | | M27x1,5 | G3/4"-A |
| 30A(C)22,2X160WH | 22,5 | 31,7 | 63,5 | 200 | 3000 | | 121,7 | | | | | |
| 30A(C)25X160WH | 25 | 35,3 | 70,5 | 200 | 3000 | | 123,1 | | | | | |
| 30A(C)28X160WH | 28 | 39,5 | 79,0 | 200 | 3000 | | 126,7 | | | | | |
| 30A(C)32X160W | 32 | 45,1 | 75,2 | 200 | 2500 | | 130,3 | | | | | |
| 30A(C)32X160WH | 32 | 45,1 | 90,2 | 200 | 3000 | | 139,3 | | | | | |
| 30A(C)36X160W | 36 | 50,8 | 84,6 | 190 | 2500 | | 133,4 | | | | | |
| 30A(C)36X160WH | 36 | 51,3 | 95,8 | 190 | 2800 | | 142,5 | | | | | |
| 30A(C)42X160W | 42 | 59,9 | 91,8 | 190 | 2300 | | 139,0 | | | | | |
| 30A(C)42X160WH | 42 | 59,9 | 99,8 | 190 | 2500 | | 148,1 | | | | | |
| 30A(C)46X160WH | 46 | 65,6 | 100,5 | 175 | 2300 | | 151,8 | | | | | |
| 30A(C)50X160WH | 50 | 71,3 | 99,8 | 175 | 2100 | | 155,4 | | | | | |
| 30A(C)55X160WH | 55 | 78,4 | 91,4 | 175 | 1750 | | 159,9 | | | | | |
| 30A(C)60X160WH | 60 | 85,5 | 99,8 | 160 | 1750 | | 164,4 | | | | | |



GEAR PUMP TYPE PGP 30A(C)...X163H

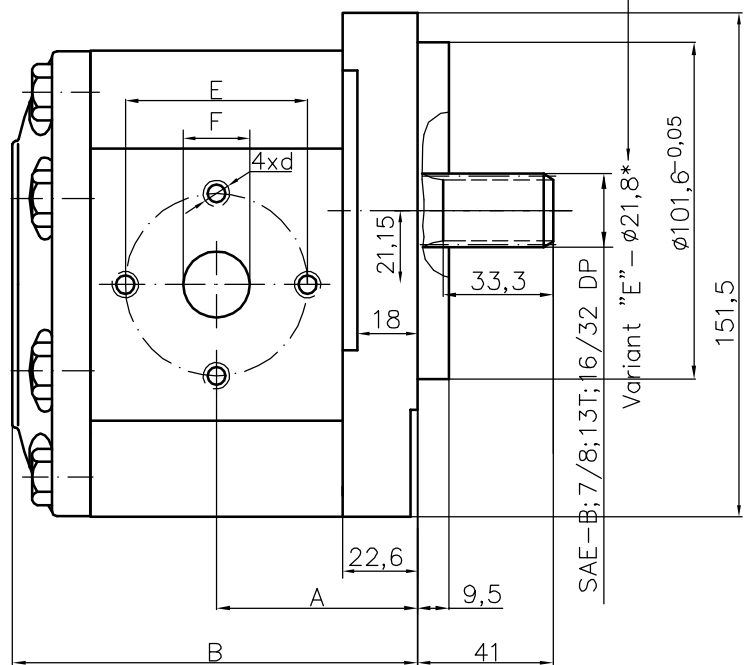
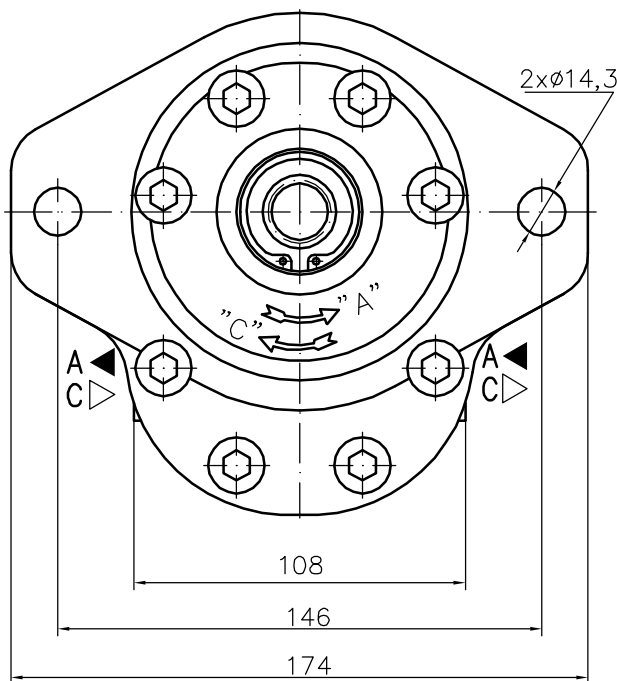
| Type | Displacement cm ³ /rev | Flow | | Pressure P _{nom} bar | max Speed n rpm | Dimension | | | | | | | |
|-----------------|--------------------------------------|----------------------|---------------------|-------------------------------------|-----------------------|-----------|-------|---------|---------|---------|---------|---------|---------|
| | | at 1500 rpm l/min | at max rpm l/min | | | Inlet | | | Outlet | | | | |
| | | A | B | M | G | G3 | M | G | G3 | | | | |
| 30A(C)20X163H | 20 | 28,2 | 56,4 | 250 | 3000 | 56,1 | 116,7 | M27x1,5 | G3/4"-A | G3/4"-A | | | G1/2"-A |
| 30A(C)22,2X163H | 22,5 | 31,7 | 63,5 | 250 | 3000 | 57,6 | 119,7 | | | | | | |
| 30A(C)25X163H | 25 | 35,3 | 70,5 | 250 | 3000 | 58,3 | 121,1 | | | | | | |
| 30A(C)28X163H | 28 | 39,5 | 79,0 | 250 | 3000 | 60,2 | 124,7 | | | | | | |
| 30A(C)32X163 | 32 | 45,1 | 75,2 | 250 | 2500 | 62,0 | 128,3 | M33x1,5 | G1"-A | G1"-A | M27x1,5 | G3/4"-A | G3/4"-A |
| 30A(C)32X163H | 32 | 45,1 | 90,2 | 250 | 3000 | 66,5 | 137,3 | | | | | | |
| 30A(C)36X163 | 36 | 50,8 | 84,6 | 250 | 2500 | 63,5 | 131,4 | | | | | | |
| 30A(C)36X163H | 36 | 51,3 | 95,8 | 250 | 2800 | 68,0 | 140,5 | | | | | | |
| 30A(C)42X163 | 42 | 59,9 | 91,8 | 230 | 2300 | 66,3 | 137,0 | M33x1,5 | G1"-A | G1"-A | M27x1,5 | G3/4"-A | G3/4"-A |
| 30A(C)42X163H | 42 | 59,9 | 99,8 | 230 | 2500 | 70,8 | 146,1 | | | | | | |
| 30A(C)46X163H | 46 | 65,6 | 100,5 | 230 | 2300 | 72,7 | 149,8 | | | | | | |
| 30A(C)50X163H | 50 | 71,3 | 99,8 | 200 | 2100 | 74,5 | 153,4 | | | | | | |
| 30A(C)55X163H | 55 | 78,4 | 91,4 | 200 | 1750 | 76,7 | 157,9 | M33x1,5 | G1"-A | G1"-A | M27x1,5 | G3/4"-A | G3/4"-A |
| 30A(C)60X163H | 60 | 85,5 | 99,8 | 180 | 1750 | 78,7 | 162,4 | | | | | | |



GEAR PUMP TYPE PGP 30A(C)...X166H

| Type | Displacement cm ³ /rev | Flow | | Pressure P _{nom} bar | max Speed n rpm | Dimension | | | | | | | |
|-----------------|--------------------------------------|----------------------|---------------------|-------------------------------------|-----------------------|-----------|---------|--------|-----|----|----|----|----|
| | | at 1500 rpm l/min | at max rpm l/min | | | Inlet | | Outlet | | | | | |
| | | | | | | A mm | B mm | E | d | F | E | d | F |
| 30A(C)20X166H | 20 | 28,2 | 56,4 | 200 | 3000 | 56,1 | 116,7 | 40 | M8 | 19 | | | |
| 30A(C)22,2X166H | 22,5 | 31,7 | 63,5 | 200 | 3000 | 57,6 | 119,7 | | | | | | |
| 30A(C)25X166H | 25 | 35,3 | 70,5 | 200 | 3000 | 58,3 | 121,1 | | | | | | |
| 30A(C)28X166H | 28 | 39,5 | 79,0 | 200 | 3000 | 60,2 | 124,7 | | | | | | |
| 30A(C)32X166 | 32 | 45,1 | 75,2 | 200 | 2500 | 62,0 | 128,3 | | | | | | |
| 30A(C)32X166H | 32 | 45,1 | 90,2 | 200 | 3000 | 66,5 | 137,3 | 51 | M10 | 27 | 40 | M8 | 19 |
| 30A(C)36X166 | 36 | 50,8 | 84,6 | 190 | 2500 | 63,5 | 131,4 | | | | | | |
| 30A(C)36X166H | 36 | 51,3 | 95,8 | 190 | 2800 | 68,0 | 140,5 | | | | | | |
| 30A(C)42X166 | 42 | 59,9 | 91,8 | 190 | 2300 | 66,3 | 137,0 | | | | | | |
| 30A(C)42X166H | 42 | 59,9 | 99,8 | 190 | 2500 | 70,8 | 146,1 | | | | | | |
| 30A(C)46X166H | 46 | 65,6 | 100,5 | 190 | 2300 | 72,7 | 149,8 | | | | | | |
| 30A(C)50X166H | 50 | 71,3 | 99,8 | 175 | 2100 | 74,5 | 153,4 | | | | | | |
| 30A(C)55X166H | 55 | 78,4 | 91,4 | 175 | 1750 | 76,7 | 157,9 | | | | | | |
| 30A(C)60X166H | 60 | 85,5 | 99,8 | 160 | 1750 | 78,7 | 162,4 | | | | | | |

*designation: 30A(C)...X166HE

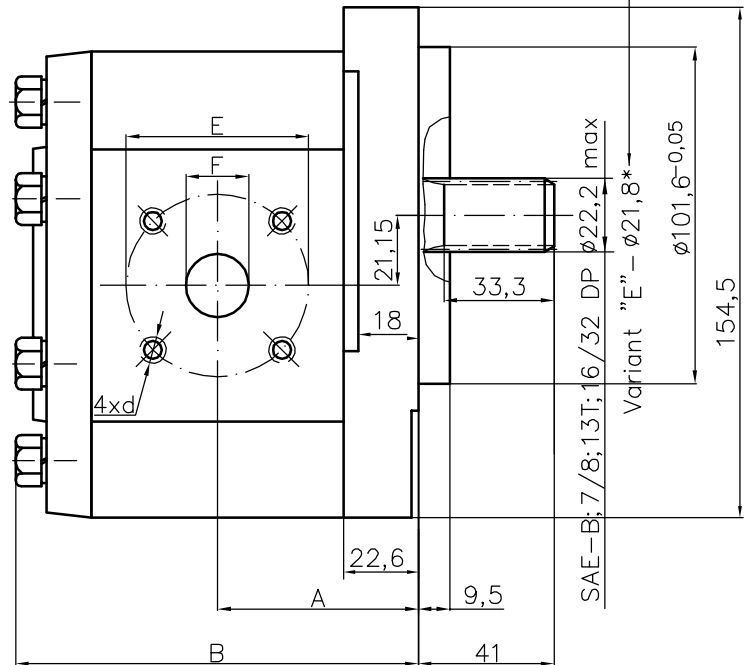
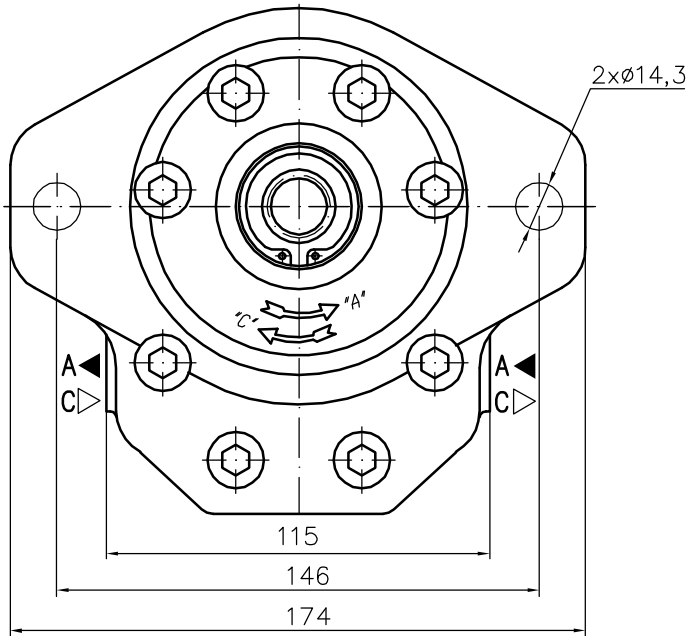


*designation: 30A(C)...X166HE

GEAR PUMP TYPE PGP 30A(C)...X169H

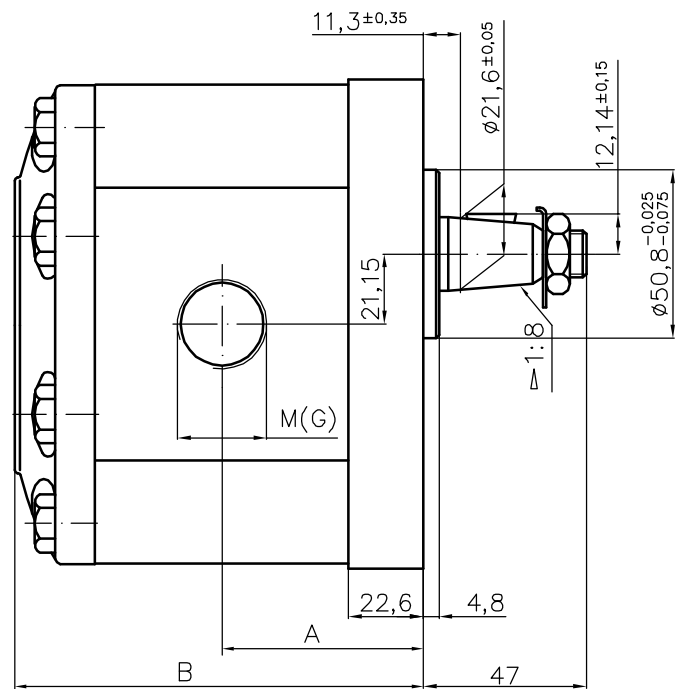
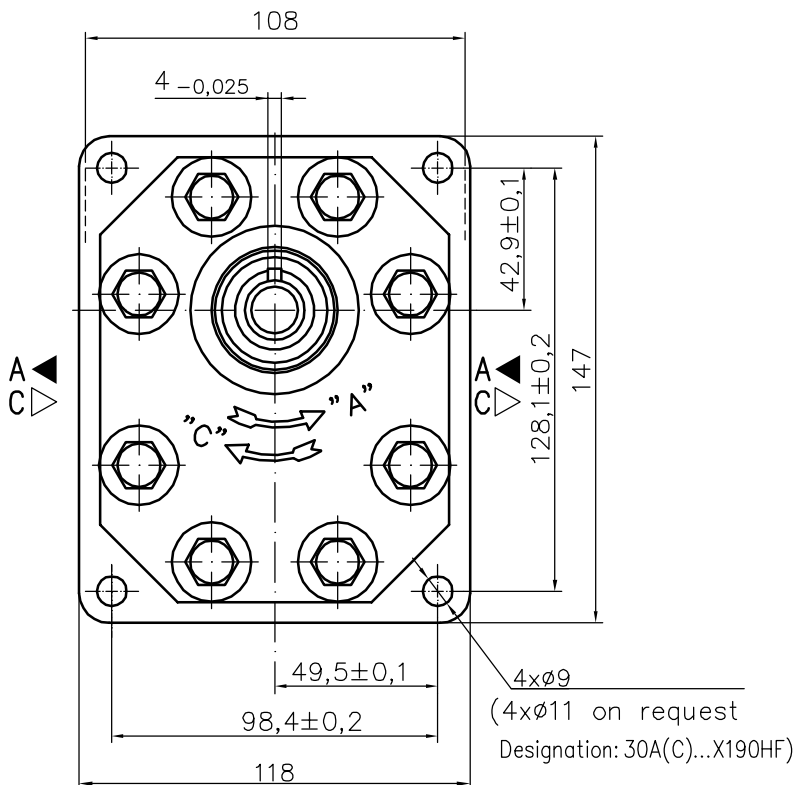
| Type | Displacement cm ³ /rev | Flow | | Pressure P _{nom} bar | max Speed n rpm | Dimension | | | | | | | |
|-----------------|--------------------------------------|----------------------|---------------------|-------------------------------------|-----------------------|-----------|---------|---------|---------|---------|---------|---------|---------|
| | | at 1500 rpm l/min | at max rpm l/min | | | Inlet | | Outlet | | | | | |
| | | | | | | A mm | B mm | E mm | d mm | F mm | E mm | d mm | F mm |
| 30A(C)20X169H | 20 | 28,2 | 56,4 | 250 | 3000 | 56,1 | 116,7 | 40 | M8 | 19 | 40 | | |
| 30A(C)22,2X169H | 22,5 | 31,7 | 63,5 | 250 | 3000 | 57,6 | 119,7 | | | | | | |
| 30A(C)25X169H | 25 | 35,3 | 70,5 | 250 | 3000 | 58,3 | 121,1 | | | | | | |
| 30A(C)28X169H | 28 | 39,5 | 79,0 | 250 | 3000 | 60,2 | 124,7 | | | | | | |
| 30A(C)32X169 | 32 | 45,1 | 75,2 | 250 | 2500 | 62,0 | 128,3 | | | | | | |
| 30A(C)32X169H | 32 | 45,1 | 90,2 | 250 | 3000 | 66,5 | 137,3 | 55 | M10 | 27 | 55 | M8 | 19 |
| 30A(C)36X169 | 36 | 50,8 | 84,6 | 250 | 2500 | 63,5 | 131,4 | | | | | | |
| 30A(C)36X169H | 36 | 51,3 | 95,8 | 250 | 2800 | 68,0 | 140,5 | | | | | | |
| 30A(C)42X169 | 42 | 59,9 | 91,8 | 230 | 2300 | 66,3 | 137,0 | | | | | | |
| 30A(C)42X169H | 42 | 59,9 | 99,8 | 230 | 2500 | 70,8 | 146,1 | | | | | | |
| 30A(C)46X169H | 46 | 65,6 | 100,5 | 230 | 2300 | 72,7 | 149,8 | | | | | | |
| 30A(C)50X169H | 50 | 71,3 | 99,8 | 200 | 2100 | 74,5 | 153,4 | | | | | | |
| 30A(C)55X169H | 55 | 78,4 | 91,4 | 200 | 1750 | 76,7 | 157,9 | | | | | | |
| 30A(C)60X169H | 60 | 85,5 | 99,8 | 180 | 1750 | 78,7 | 162,4 | | | | | | |

*designation: 30A(C)...X169HE



GEAR PUMP TYPE PGP 30A(C)...X190H

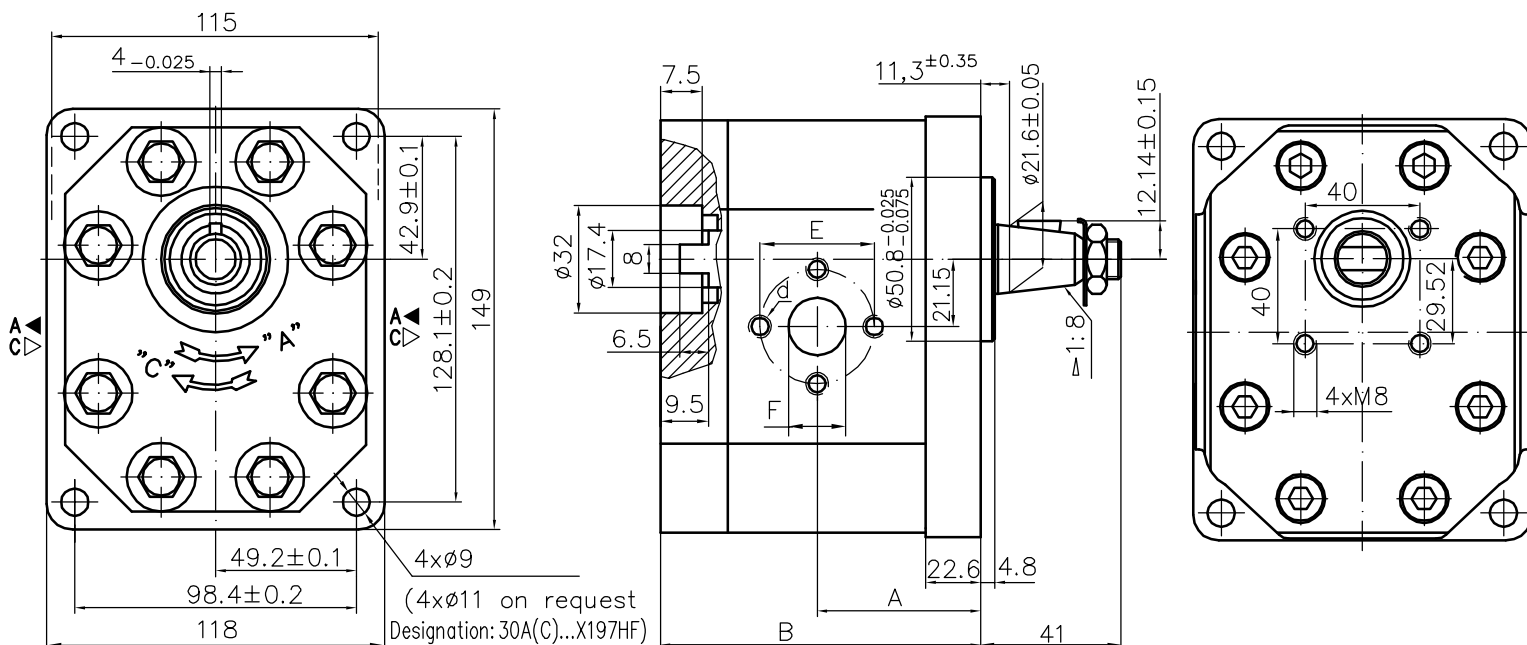
| Type | Displacement cm ³ /rev | Flow | | Pressure P _{nom} bar | max Speed n rpm | Dimension | | | | | | |
|-----------------|--------------------------------------|----------------------|---------------------|-------------------------------------|-----------------------|-----------|-------|---------|---------|--|--|--|
| | | at 1500 rpm l/min | at max rpm l/min | | | Inlet | | Outlet | | | | |
| | | A mm | B mm | M | G | M | G | | | | | |
| 30A(C)20X190H | 20 | 28,2 | 56,4 | 200 | 3000 | 56,1 | 116,7 | M27x1,5 | G3/4"-A | | | |
| 30A(C)22,2X190H | 22,5 | 31,7 | 63,5 | 200 | 3000 | 57,6 | 119,7 | | | | | |
| 30A(C)25X190H | 25 | 35,3 | 70,5 | 200 | 3000 | 58,3 | 121,1 | | | | | |
| 30A(C)28X190H | 28 | 39,5 | 79,0 | 200 | 3000 | 60,2 | 124,7 | | | | | |
| 30A(C)32X190 | 32 | 45,1 | 75,2 | 200 | 2500 | 62,0 | 128,3 | | | | | |
| 30A(C)32X190H | 32 | 45,1 | 90,2 | 200 | 3000 | 66,5 | 137,3 | M33x1,5 | G1"-A | | | |
| 30A(C)36X190 | 36 | 50,8 | 84,6 | 190 | 2500 | 63,5 | 131,4 | | | | | |
| 30A(C)36X190H | 36 | 51,3 | 95,8 | 190 | 2800 | 68,0 | 140,5 | | | | | |
| 30A(C)42X190 | 42 | 59,9 | 91,8 | 190 | 2300 | 66,3 | 137,0 | | | | | |
| 30A(C)42X190H | 42 | 59,9 | 99,8 | 190 | 2500 | 70,8 | 146,1 | | | | | |
| 30A(C)46X190H | 46 | 65,6 | 100,5 | 175 | 2300 | 72,7 | 149,8 | | | | | |
| 30A(C)50X190H | 50 | 71,3 | 99,8 | 175 | 2100 | 74,5 | 153,4 | | | | | |
| 30A(C)55X190H | 55 | 78,4 | 91,4 | 175 | 1750 | 76,7 | 157,9 | | | | | |
| 30A(C)60X190H | 60 | 85,5 | 99,8 | 160 | 1750 | 78,7 | 162,4 | | | | | |



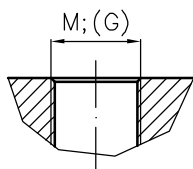
- metric thread
G - GAS thread

| Type | Displacement cm ³ /rev | Flow | | Pressure P _{nom} bar | max Speed n rpm | Dimension | | | | | | | |
|-----------------|--------------------------------------|----------------------|---------------------|-------------------------------------|-----------------------|-----------|---------|---------|---------|---------|---------|---------|---------|
| | | at 1500 rpm l/min | at max rpm l/min | | | Inlet | | Outlet | | | | | |
| | | | | | | A mm | B mm | E mm | d mm | F mm | E mm | d mm | F mm |
| 30A(C)20X197H | 20 | 28,2 | 56,4 | 250 | 3000 | 56,1 | 117,2 | 40 | M8 | 19 | 40 | M8 | 19 |
| 30A(C)22,2X197H | 22,5 | 31,7 | 63,5 | 250 | 3000 | 57,6 | 120,2 | | | | | | |
| 30A(C)25X197H | 25 | 35,3 | 70,5 | 250 | 3000 | 58,3 | 121,6 | | | | | | |
| 30A(C)28X197H | 28 | 39,5 | 79,0 | 250 | 3000 | 60,2 | 125,2 | | | | | | |
| 30A(C)32X197 | 32 | 45,1 | 75,2 | 250 | 2500 | 62,0 | 128,8 | | | | | | |
| 30A(C)32X197H | 32 | 45,1 | 90,2 | 250 | 3000 | 66,5 | 137,8 | 51 | M10 | 27 | 40 | M8 | 19 |
| 30A(C)36X197 | 36 | 50,8 | 84,6 | 250 | 2500 | 63,5 | 131,9 | | | | | | |
| 30A(C)36X197H | 36 | 51,3 | 95,8 | 250 | 2800 | 68,0 | 141,0 | | | | | | |
| 30A(C)42X197 | 42 | 59,9 | 91,8 | 230 | 2300 | 66,3 | 137,5 | | | | | | |
| 30A(C)42X197H | 42 | 59,9 | 99,8 | 230 | 2500 | 70,8 | 146,5 | | | | | | |
| 30A(C)46X197H | 46 | 65,6 | 100,5 | 230 | 2300 | 72,7 | 150,3 | | | | | | |
| 30A(C)50X197H | 50 | 71,3 | 99,8 | 200 | 2100 | 74,5 | 153,9 | | | | | | |
| 30A(C)55X197H | 55 | 78,4 | 91,4 | 200 | 1750 | 76,7 | 158,4 | | | | | | |
| 30A(C)60X197H | 60 | 85,5 | 99,8 | 180 | 1750 | 78,7 | 162,9 | | | | | | |

Designed as first section of multiple gear pumps group 31.



Variants: "M"; "G" threads



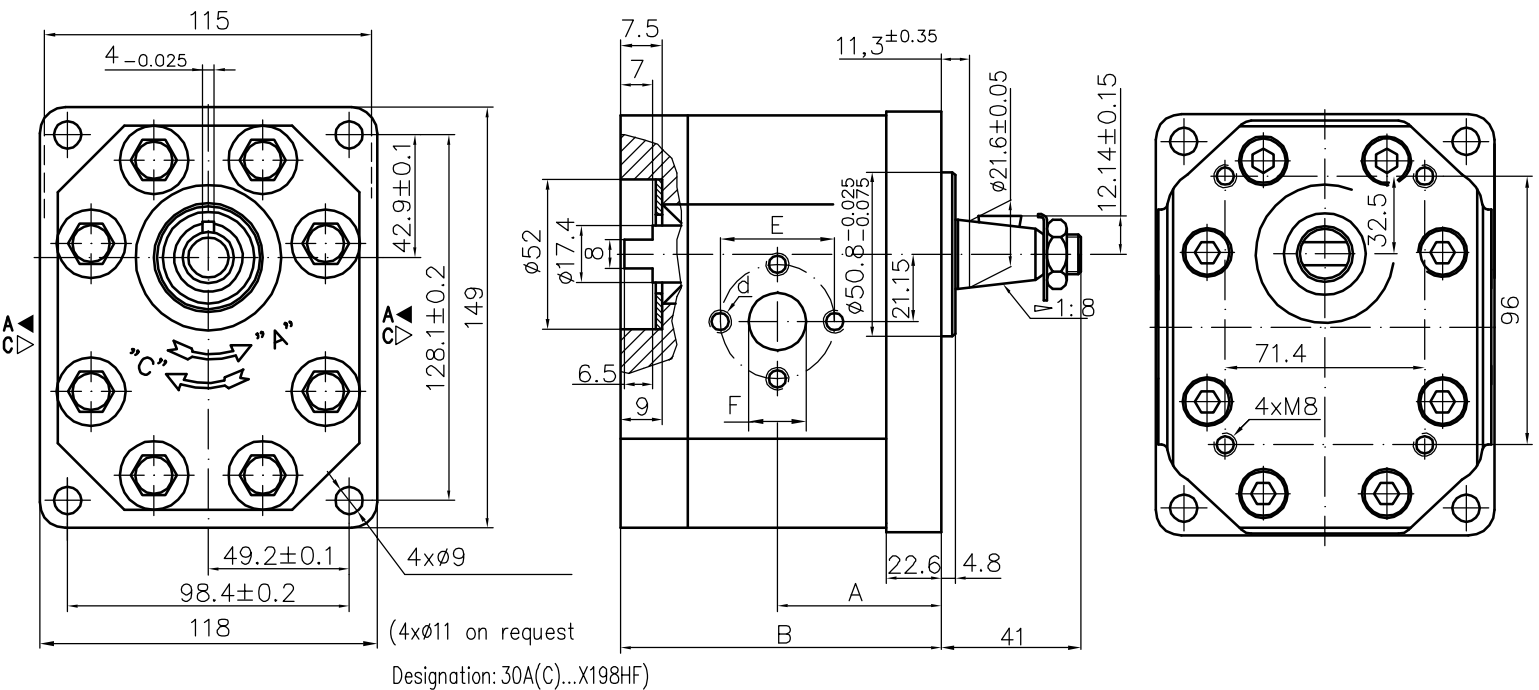
Designation: 30A(C)...X197HM(G)

For ports measures see table at 30A(C)...X163H

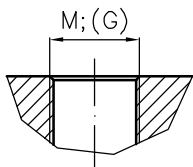
GEAR PUMP TYPE PGP 30A(C)...X198H

| Type | Displacement cm ³ /rev | Flow | | Pressure P _{nom} bar | max Speed n rpm | Dimension | | | | | | | |
|-----------------|--------------------------------------|----------------------|---------------------|-------------------------------------|-----------------------|-----------|---------|---------|---------|----|----|----|----|
| | | at 1500 rpm l/min | at max rpm l/min | | | Inlet | | | Outlet | | | | |
| | | A mm | B mm | E mm | d mm | F mm | E mm | d mm | F mm | | | | |
| 30A(C)20X198H | 20 | 28,2 | 56,4 | 250 | 3000 | 56,1 | 117,2 | 40 | M8 | 19 | 40 | M8 | 19 |
| 30A(C)22,2X198H | 22,5 | 31,7 | 63,5 | 250 | 3000 | 57,6 | 120,2 | | | | | | |
| 30A(C)25X198H | 25 | 35,3 | 70,5 | 250 | 3000 | 58,3 | 121,6 | | | | | | |
| 30A(C)28X198H | 28 | 39,5 | 79,0 | 250 | 3000 | 60,2 | 125,2 | | | | | | |
| 30A(C)32X198 | 32 | 45,1 | 75,2 | 250 | 2500 | 62,0 | 128,8 | | | | | | |
| 30A(C)32X198H | 32 | 45,1 | 90,2 | 250 | 3000 | 66,5 | 137,8 | 51 | M10 | 27 | 40 | M8 | 19 |
| 30A(C)36X198 | 36 | 50,8 | 84,6 | 250 | 2500 | 63,5 | 131,9 | | | | | | |
| 30A(C)36X198H | 36 | 51,3 | 95,8 | 250 | 2800 | 68,0 | 141,0 | | | | | | |
| 30A(C)42X198 | 42 | 59,9 | 91,8 | 230 | 2300 | 66,3 | 137,5 | | | | | | |
| 30A(C)42X198H | 42 | 59,9 | 99,8 | 230 | 2500 | 70,8 | 146,5 | | | | | | |
| 30A(C)46X198H | 46 | 65,6 | 100,5 | 230 | 2300 | 72,7 | 150,3 | | | | | | |
| 30A(C)50X198H | 50 | 71,3 | 99,8 | 200 | 2100 | 74,5 | 153,9 | | | | | | |
| 30A(C)55X198H | 55 | 78,4 | 91,4 | 200 | 1750 | 76,7 | 158,4 | | | | | | |
| 30A(C)60X198H | 60 | 85,5 | 99,8 | 180 | 1750 | 78,7 | 162,9 | | | | | | |

Designed to connect with gear pumps group 20.



1
Variants: "M"; "G" threads



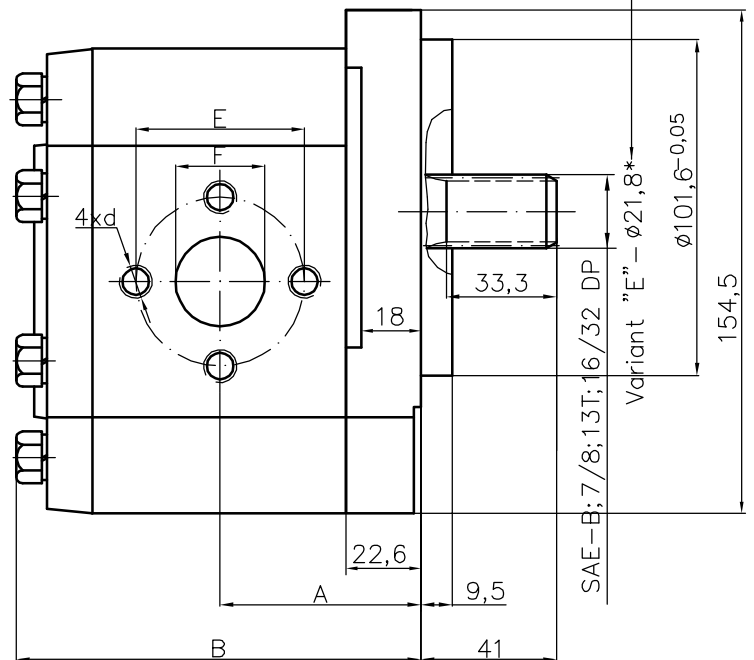
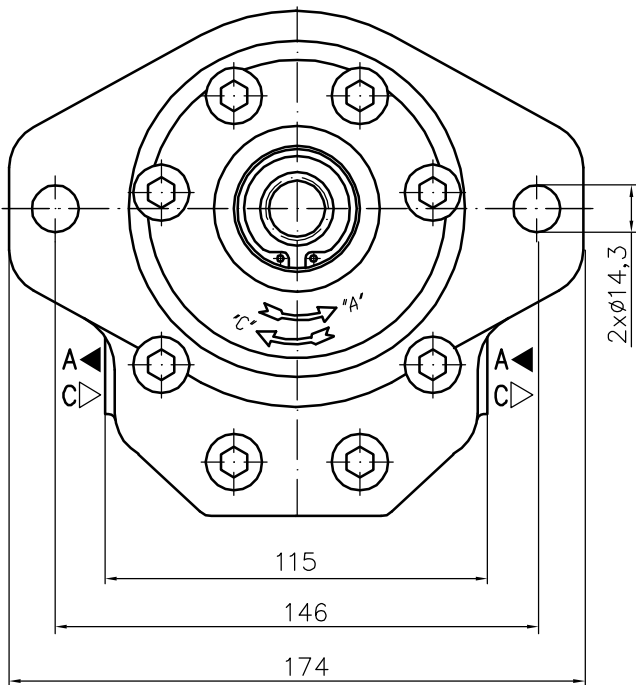
Designation: 30A(C)...X198HM(G)

For ports measures see table at 30A(C)...X163H

GEAR PUMP TYPE PGP 30A(C)...X236H

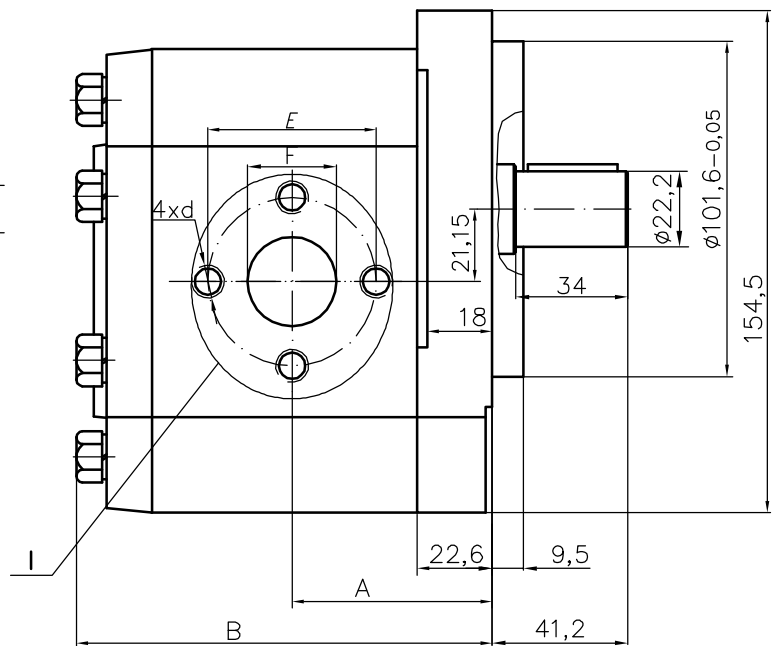
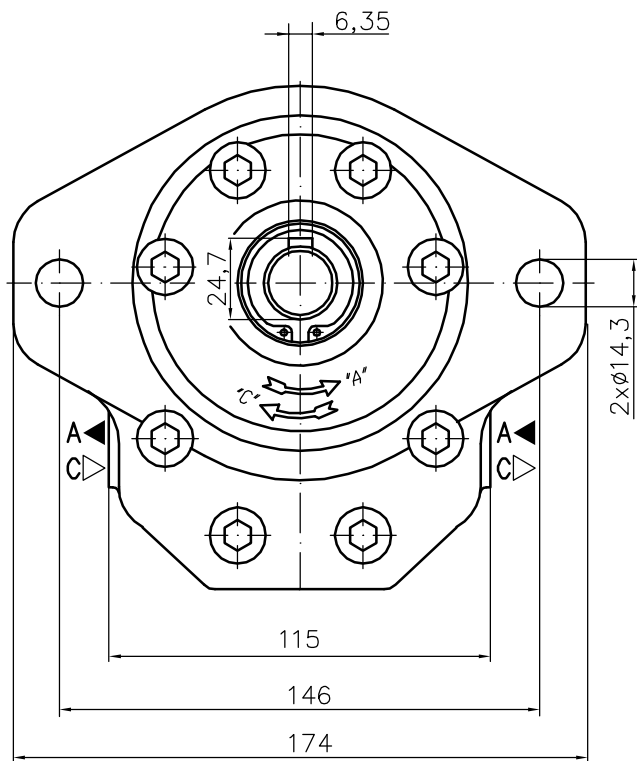
| Type | Displacement cm ³ /rev | Flow | | Pressure P _{nom} bar | max Speed n rpm | Dimension | | | | | | | |
|-----------------|--------------------------------------|----------------------|---------------------|-------------------------------------|-----------------------|-----------|---------|--------|-----|----|----|----|----|
| | | at 1500 rpm l/min | at max rpm l/min | | | Inlet | | Outlet | | | | | |
| | | | | | | A mm | B mm | E | d | F | E | d | F |
| 30A(C)20X236H | 20 | 28,2 | 56,4 | 250 | 3000 | 56,1 | 116,7 | 40 | M8 | 19 | 40 | M8 | 19 |
| 30A(C)22,2X236H | 22,5 | 31,7 | 63,5 | 250 | 3000 | 57,6 | 119,7 | | | | | | |
| 30A(C)25X236H | 25 | 35,3 | 70,5 | 250 | 3000 | 58,3 | 121,1 | | | | | | |
| 30A(C)28X236H | 28 | 39,5 | 79,0 | 250 | 3000 | 60,2 | 124,7 | | | | | | |
| 30A(C)32X236 | 32 | 45,1 | 75,2 | 250 | 2500 | 62,0 | 128,3 | | | | | | |
| 30A(C)32X236H | 32 | 45,1 | 90,2 | 250 | 3000 | 66,5 | 137,3 | | | | | | |
| 30A(C)36X236 | 36 | 50,8 | 84,6 | 250 | 2500 | 63,5 | 131,4 | 51 | M10 | 27 | 40 | M8 | 19 |
| 30A(C)36X236H | 36 | 51,3 | 95,8 | 250 | 2800 | 68,0 | 140,5 | | | | | | |
| 30A(C)42X236 | 42 | 59,9 | 91,8 | 230 | 2300 | 66,3 | 137,0 | | | | | | |
| 30A(C)42X236H | 42 | 59,9 | 99,8 | 230 | 2500 | 70,8 | 146,1 | | | | | | |
| 30A(C)46X236H | 46 | 65,6 | 100,5 | 230 | 2300 | 72,7 | 149,8 | | | | | | |
| 30A(C)50X236H | 50 | 71,3 | 99,8 | 200 | 2100 | 74,5 | 153,4 | | | | | | |
| 30A(C)55X236H | 55 | 78,4 | 91,4 | 200 | 1750 | 76,7 | 157,9 | | | | | | |
| 30A(C)60X236H | 60 | 85,5 | 99,8 | 180 | 1750 | 78,7 | 162,4 | | | | | | |

*designation: 30A(C)...X236HE

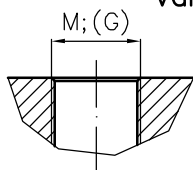


GEAR PUMP TYPE PGP 30A(C)...X237H

| Type | Displacement cm ³ /rev | Flow | | Pressure P _{nom} bar | max Speed n rpm | Dimension | | | | | | | |
|-----------------|--------------------------------------|----------------------|---------------------|-------------------------------------|-----------------------|-----------|---------|---------|---------|---------|---------|---------|---------|
| | | at 1500 rpm l/min | at max rpm l/min | | | Inlet | | Outlet | | | | | |
| | | | | | | A mm | B mm | E mm | d mm | F mm | E mm | d mm | F mm |
| 30A(C)20X237H | 20 | 28,2 | 56,4 | 250 | 3000 | 56,1 | 116,7 | 40 | M8 | 19 | 40 | M8 | 19 |
| 30A(C)22,2X237H | 22,5 | 31,7 | 63,5 | 250 | 3000 | 57,6 | 119,7 | | | | | | |
| 30A(C)25X237H | 25 | 35,3 | 70,5 | 250 | 3000 | 58,3 | 121,1 | | | | | | |
| 30A(C)28X237H | 28 | 39,5 | 79,0 | 250 | 3000 | 60,2 | 124,7 | | | | | | |
| 30A(C)32X237 | 32 | 45,1 | 75,2 | 250 | 2500 | 62,0 | 128,3 | 51 | M10 | 27 | | | |
| 30A(C)32X237H | 32 | 45,1 | 90,2 | 250 | 3000 | 66,5 | 137,3 | | | | | | |
| 30A(C)36X237 | 36 | 50,8 | 84,6 | 250 | 2500 | 63,5 | 131,4 | 51 | M10 | 27 | | | |
| 30A(C)36X237H | 36 | 51,3 | 95,8 | 250 | 2800 | 68,0 | 140,5 | | | | | | |
| 30A(C)42X237 | 42 | 59,9 | 91,8 | 230 | 2300 | 66,3 | 137,0 | | | | | | |
| 30A(C)42X237H | 42 | 59,9 | 99,8 | 230 | 2500 | 70,8 | 146,1 | | | | | | |
| 30A(C)46X237H | 46 | 65,6 | 100,5 | 230 | 2300 | 72,7 | 149,8 | | | | | | |
| 30A(C)50X237H | 50 | 71,3 | 99,8 | 200 | 2100 | 74,5 | 153,4 | | | | | | |
| 30A(C)55X237H | 55 | 78,4 | 91,4 | 200 | 1750 | 76,7 | 157,9 | | | | | | |
| 30A(C)60X237H | 60 | 85,5 | 99,8 | 180 | 1750 | 78,7 | 162,4 | | | | | | |



Variants: "M"; "G" threads

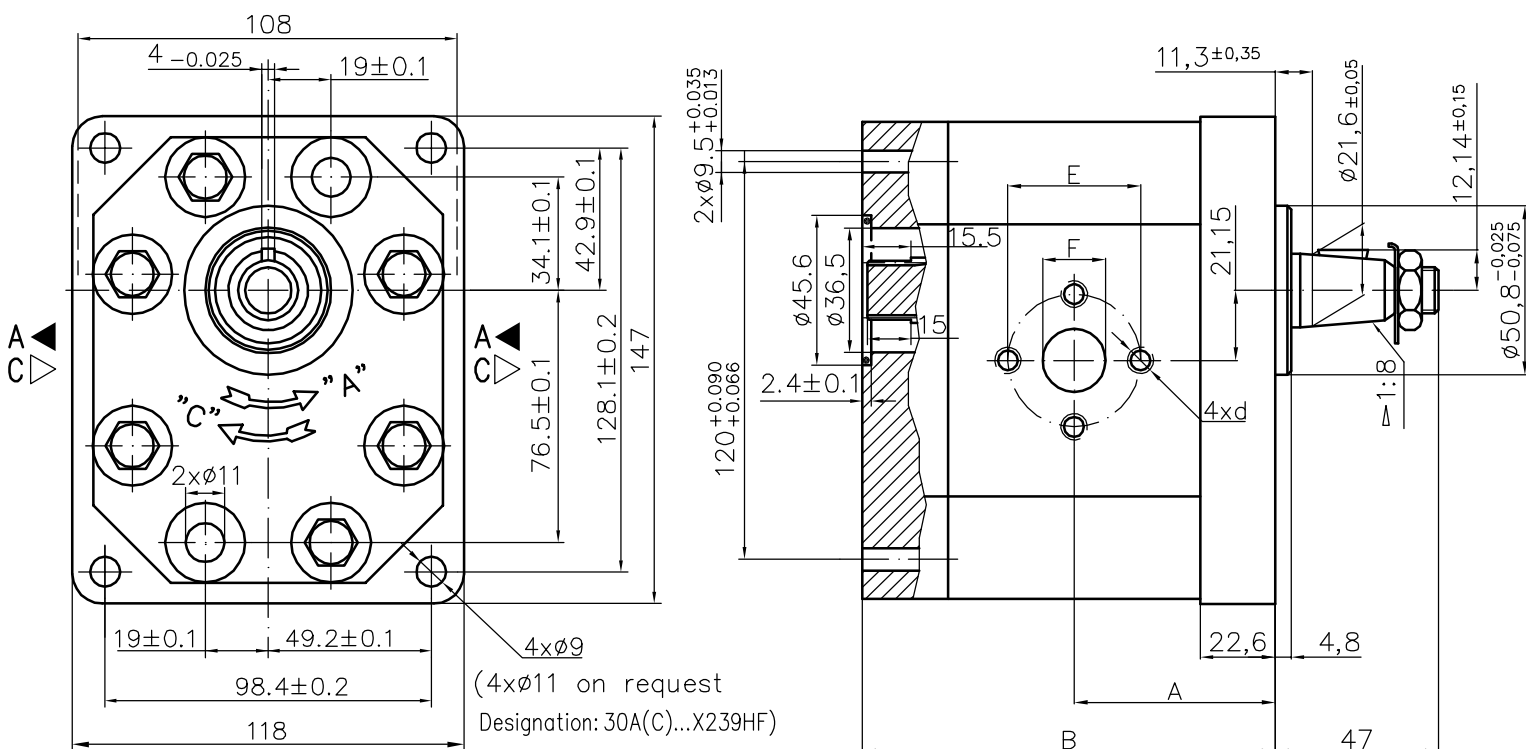


Designation: 30A(C)...X237HM(G)

For ports measures see table at 30A(C)...X163H

| Type | Displacement cm ³ /rev | Flow | | Pressure P _{nom} bar | max Speed n rpm | Dimension | | | | | | | |
|-----------------|--------------------------------------|----------------------|---------------------|-------------------------------------|-----------------------|-----------|---------|--------|-----|----|----|----|----|
| | | at 1500 rpm l/min | at max rpm l/min | | | Inlet | | Outlet | | | | | |
| | | A mm | B mm | E mm | d | F | E mm | d | F | | | | |
| 30A(C)20X239H | 20 | 28,2 | 56,4 | 200 | 3000 | 56,1 | 114,7 | 40 | M8 | 19 | 40 | M8 | 19 |
| 30A(C)22,2X239H | 22,5 | 31,7 | 63,5 | 200 | 3000 | 57,6 | 117,7 | | | | | | |
| 30A(C)25X239H | 25 | 35,3 | 70,5 | 200 | 3000 | 58,3 | 119,1 | | | | | | |
| 30A(C)28X239H | 28 | 39,5 | 79,0 | 200 | 3000 | 60,2 | 122,7 | | | | | | |
| 30A(C)32X239 | 32 | 45,1 | 75,2 | 200 | 2500 | 62,0 | 126,3 | | | | | | |
| 30A(C)32X239H | 32 | 45,1 | 90,2 | 200 | 3000 | 66,5 | 135,3 | 51 | M10 | 27 | 40 | M8 | 19 |
| 30A(C)36X239 | 36 | 50,8 | 84,6 | 190 | 2500 | 63,5 | 129,4 | | | | | | |
| 30A(C)36X239H | 36 | 51,3 | 95,8 | 190 | 2800 | 68,0 | 138,5 | | | | | | |
| 30A(C)42X239 | 42 | 59,9 | 91,8 | 190 | 2300 | 66,3 | 135,0 | | | | | | |
| 30A(C)42X239H | 42 | 59,9 | 99,8 | 190 | 2500 | 70,8 | 144,0 | | | | | | |
| 30A(C)46X239H | 46 | 65,6 | 100,5 | 175 | 2300 | 72,7 | 147,8 | | | | | | |
| 30A(C)50X239H | 50 | 71,3 | 99,8 | 175 | 2100 | 74,5 | 151,4 | | | | | | |
| 30A(C)55X239H | 55 | 78,4 | 91,4 | 175 | 1750 | 76,7 | 155,9 | | | | | | |
| 30A(C)60X239H | 60 | 85,5 | 99,8 | 160 | 1750 | 78,7 | 160,4 | | | | | | |

Designed as a first section of multiple gear pumps group 33.

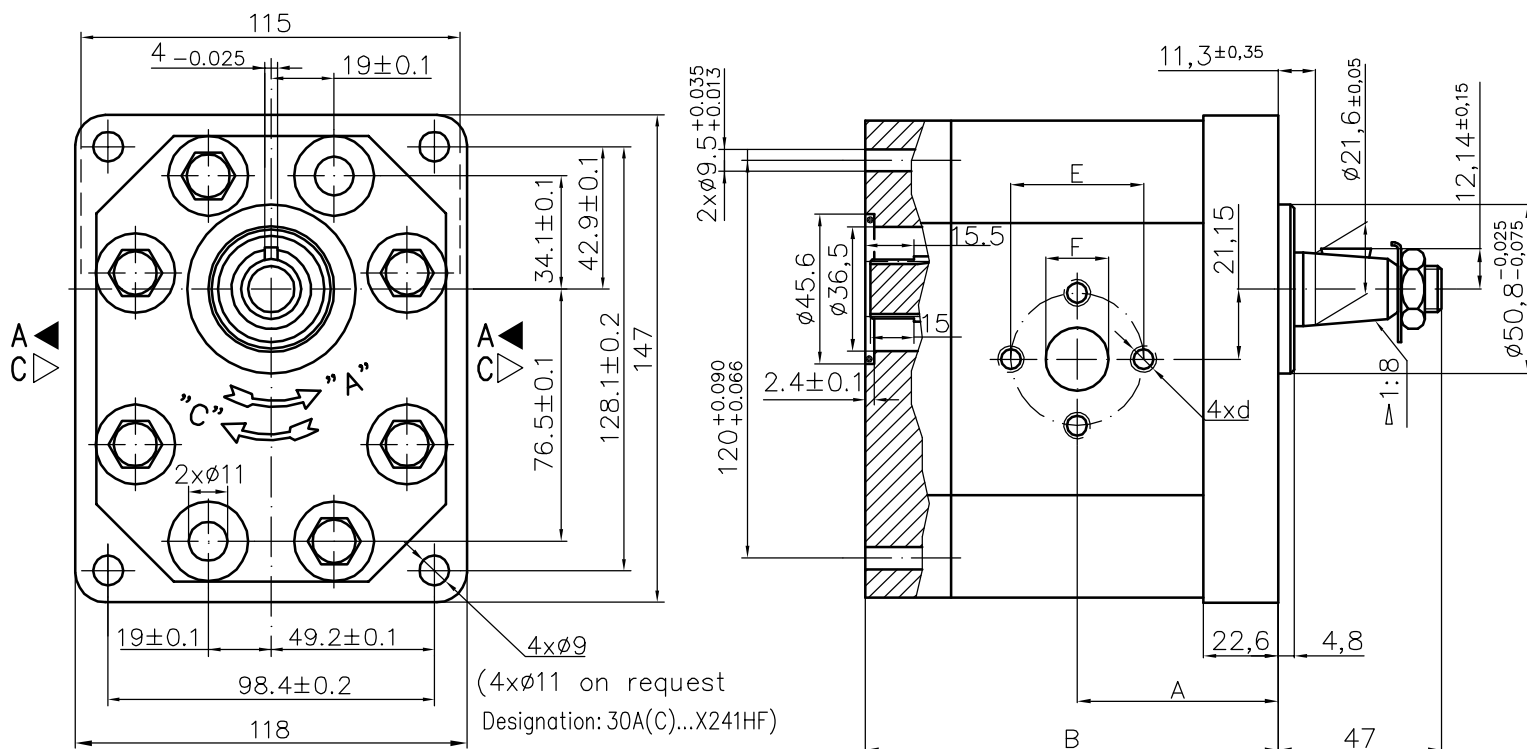


(4x $\phi 11$ on request
Designation: 30A(C)...X239HF)

GEAR PUMP TYPE PGP 30A(C)...X241H

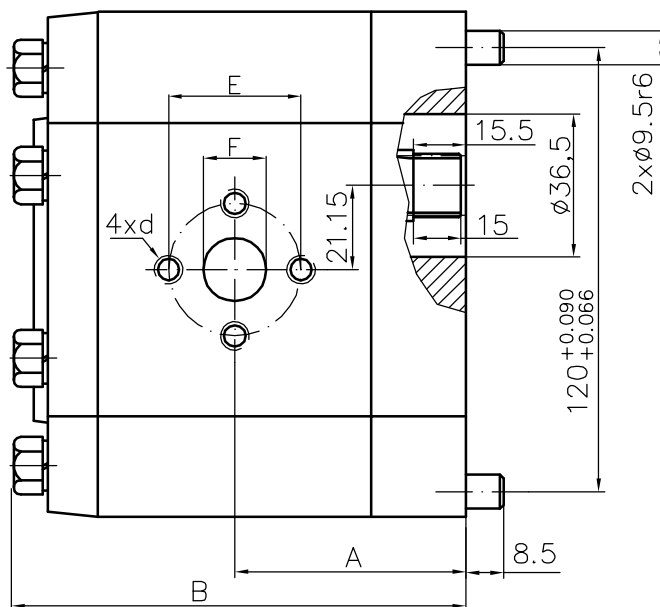
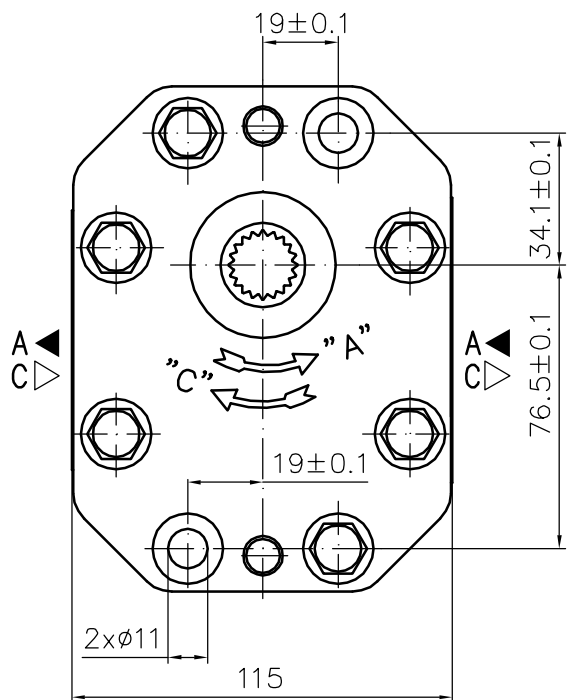
| Type | Displacement cm ³ /rev | Flow | | Pressure P _{nom} bar | max Speed n rpm | Dimension | | | | | | | |
|-----------------|--------------------------------------|----------------------|---------------------|-------------------------------------|-----------------------|-----------|-------|----|--------|----|----|----|----|
| | | at 1500 rpm l/min | at max rpm l/min | | | Inlet | | | Outlet | | | | |
| | | A | B | E | d | F | E | d | F | | | | |
| 30A(C)20X241H | 20 | 28,2 | 56,4 | 250 | 3000 | 56,1 | 114,7 | 40 | M8 | 19 | 40 | M8 | 19 |
| 30A(C)22,2X241H | 22,5 | 31,7 | 63,5 | 250 | 3000 | 57,6 | 117,7 | | | | | | |
| 30A(C)25X241H | 25 | 35,3 | 70,5 | 250 | 3000 | 58,3 | 119,1 | | | | | | |
| 30A(C)28X241H | 28 | 39,5 | 79,0 | 250 | 3000 | 60,2 | 122,7 | | | | | | |
| 30A(C)32X241 | 32 | 45,1 | 75,2 | 250 | 2500 | 62,0 | 126,3 | | | | | | |
| 30A(C)32X241H | 32 | 45,1 | 90,2 | 250 | 3000 | 66,5 | 135,3 | 51 | M10 | 27 | 40 | M8 | 19 |
| 30A(C)36X241 | 36 | 50,8 | 84,6 | 250 | 2500 | 63,5 | 129,4 | | | | | | |
| 30A(C)36X241H | 36 | 51,3 | 95,8 | 250 | 2800 | 68,0 | 138,5 | | | | | | |
| 30A(C)42X241 | 42 | 59,9 | 91,8 | 230 | 2300 | 66,3 | 135,0 | | | | | | |
| 30A(C)42X241H | 42 | 59,9 | 99,8 | 230 | 2500 | 70,8 | 144,0 | | | | | | |
| 30A(C)46X241H | 46 | 65,6 | 100,5 | 230 | 2300 | 72,7 | 147,8 | | | | | | |
| 30A(C)50X241H | 50 | 71,3 | 99,8 | 200 | 2100 | 74,5 | 151,4 | | | | | | |
| 30A(C)55X241H | 55 | 78,4 | 91,4 | 200 | 1750 | 76,7 | 155,9 | | | | | | |
| 30A(C)60X241H | 60 | 85,5 | 99,8 | 180 | 1750 | 78,7 | 160,4 | | | | | | |

Designed as a first section of multiple gear pumps group 33.



| Type | Displacement cm ³ /rev | Flow | | Pressure P _{nom} bar | max Speed n rpm | Dimension | | | | | | | |
|-----------------|--------------------------------------|----------------------|---------------------|-------------------------------------|-----------------------|-----------|-------|--------|-----|----|----|----|----|
| | | at 1500 rpm l/min | at max rpm l/min | | | Inlet | | Outlet | | | | | |
| | | A | B | E | d | F | E | d | F | | | | |
| 30A(C)20X242H | 20 | 28,2 | 56,4 | 250 | 3000 | 58,3 | 118,9 | 40 | M8 | 19 | 40 | M8 | 19 |
| 30A(C)22,2X242H | 22,5 | 31,7 | 63,5 | 250 | 3000 | 59,7 | 121,9 | | | | | | |
| 30A(C)25X242H | 25 | 35,3 | 70,5 | 250 | 3000 | 60,5 | 123,3 | | | | | | |
| 30A(C)28X242H | 28 | 39,5 | 79,0 | 250 | 3000 | 62,4 | 126,9 | | | | | | |
| 30A(C)32X242 | 32 | 45,1 | 75,2 | 250 | 2500 | 64,2 | 130,5 | | | | | | |
| 30A(C)32X242H | 32 | 45,1 | 90,2 | 250 | 3000 | 68,7 | 139,5 | 51 | M10 | 27 | 40 | M8 | 19 |
| 30A(C)36X242 | 36 | 50,8 | 84,6 | 250 | 2500 | 65,7 | 133,6 | | | | | | |
| 30A(C)36X242H | 36 | 51,3 | 95,8 | 250 | 2800 | 70,2 | 142,7 | | | | | | |
| 30A(C)42X242 | 42 | 59,9 | 91,8 | 230 | 2300 | 68,5 | 139,2 | | | | | | |
| 30A(C)42X242H | 42 | 59,9 | 99,8 | 230 | 2500 | 73,0 | 148,3 | | | | | | |
| 30A(C)46X242H | 46 | 65,6 | 100,5 | 230 | 2300 | 74,9 | 152,0 | | | | | | |
| 30A(C)50X242H | 50 | 71,3 | 99,8 | 200 | 2100 | 76,7 | 155,6 | | | | | | |
| 30A(C)55X242H | 55 | 78,4 | 91,4 | 200 | 1750 | 78,9 | 160,1 | | | | | | |
| 30A(C)60X242H | 60 | 85,5 | 99,8 | 180 | 1750 | 80,9 | 164,6 | | | | | | |

Designed as a second section of multiple gear pumps group 33.



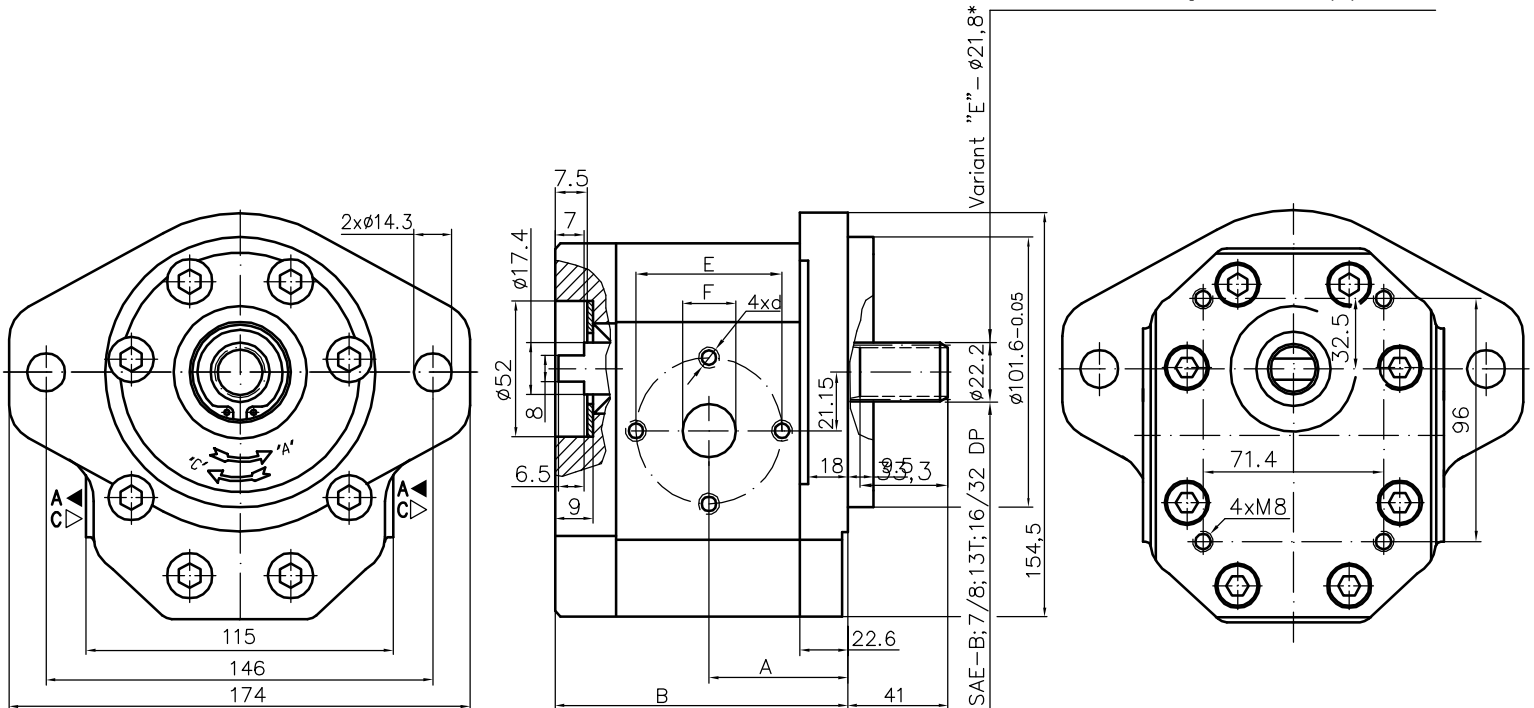
GEAR PUMP TYPE PGP 30A(C)...X245H

| Type | Displacement cm ³ /rev | Flow | | Pressure P _{nom} bar | max Speed n rpm | Dimension | | | | | | | |
|-----------------|--------------------------------------|----------------------|---------------------|-------------------------------------|-----------------------|-----------|---------|--------|-----|----|----|----|----|
| | | at 1500 rpm l/min | at max rpm l/min | | | Inlet | | Outlet | | | | | |
| | | | | | | A mm | B mm | E | d | F | E | d | F |
| 30A(C)20X245H | 20 | 28,2 | 56,4 | 250 | 3000 | 56,1 | 114,7 | 40 | M8 | 19 | 40 | M8 | 19 |
| 30A(C)22,2X245H | 22,5 | 31,7 | 63,5 | 250 | 3000 | 57,6 | 117,7 | | | | | | |
| 30A(C)25X245H | 25 | 35,3 | 70,5 | 250 | 3000 | 58,3 | 119,1 | | | | | | |
| 30A(C)28X245H | 28 | 39,5 | 79,0 | 250 | 3000 | 60,2 | 122,7 | | | | | | |
| 30A(C)32X245 | 32 | 45,1 | 75,2 | 250 | 2500 | 62,0 | 126,3 | 51 | M10 | 27 | 40 | M8 | 19 |
| 30A(C)32X245H | 32 | 45,1 | 90,2 | 250 | 3000 | 66,5 | 135,3 | | | | | | |
| 30A(C)36X245 | 36 | 50,8 | 84,6 | 250 | 2500 | 63,5 | 129,4 | | | | | | |
| 30A(C)36X245H | 36 | 51,3 | 95,8 | 250 | 2800 | 68,0 | 138,5 | | | | | | |
| 30A(C)42X245 | 42 | 59,9 | 91,8 | 230 | 2300 | 66,3 | 135,0 | | | | | | |
| 30A(C)42X245H | 42 | 59,9 | 99,8 | 230 | 2500 | 70,8 | 144,0 | | | | | | |
| 30A(C)46X245H | 46 | 65,6 | 100,5 | 230 | 2300 | 72,7 | 147,8 | | | | | | |
| 30A(C)50X245H | 50 | 71,3 | 99,8 | 200 | 2100 | 74,5 | 151,4 | | | | | | |
| 30A(C)55X245H | 55 | 78,4 | 91,4 | 200 | 1750 | 76,7 | 155,9 | | | | | | |
| 30A(C)60X245H | 60 | 85,5 | 99,8 | 180 | 1750 | 78,7 | 160,4 | | | | | | |

Designed as a first section of multiple gear pumps group 32.

Usually connected with second section pumps type 20A(C)...X201 and others with central diameter $\varnothing 52$.

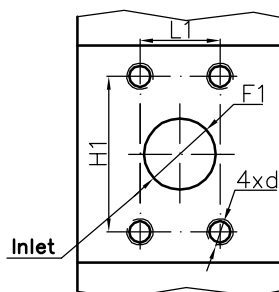
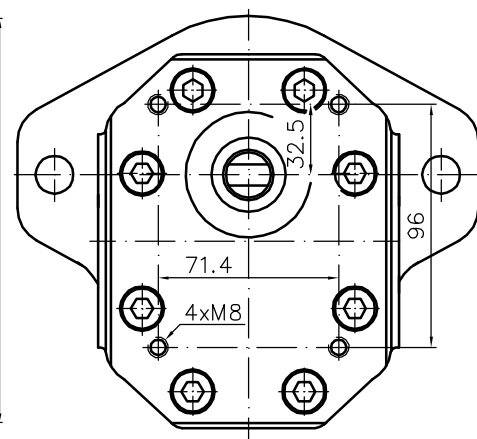
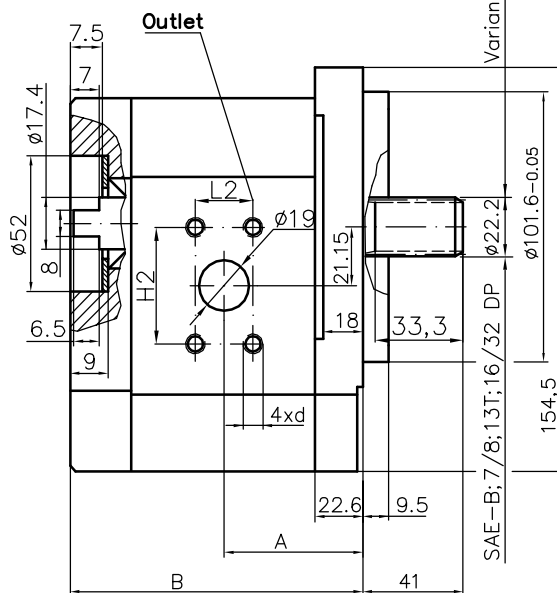
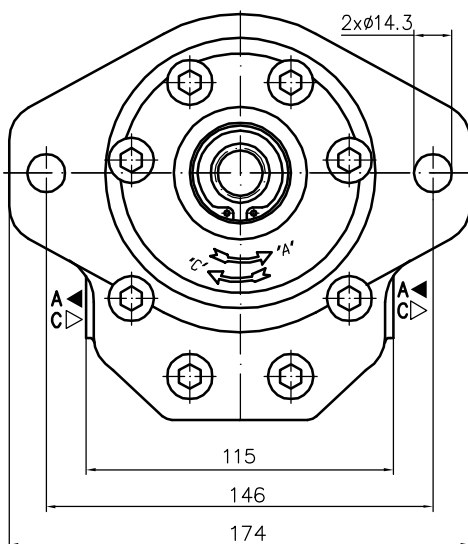
*Variant "E" – designation 30A(C)...X245HE



| Type | Displacement cm ³ /rev | Flow | | Pressure P _{nom} bar | max Speed n rpm | Dimension | | | | | | | | | |
|------------------|--------------------------------------|----------------------|---------------------|-------------------------------------|-----------------------|-----------|---------|----|---------------|--------|------|---------------|---------------|------|------|
| | | at 1500 rpm l/min | at max rpm l/min | | | Inlet | | | | Outlet | | | | | |
| | | | | | | A mm | B mm | F1 | d | H1 | L1 | F2 | d | H2 | L2 |
| 30A(C)20X245HS | 20 | 28,2 | 56,4 | 250 | 3000 | 56,1 | 114,7 | 19 | 3/8"-16UNC-2B | 47,6 | 22,2 | 19 | 3/8"-16UNC-2B | 47,6 | 22,2 |
| 30A(C)22,2X245HS | 22,5 | 31,7 | 63,5 | 250 | 3000 | 57,6 | 117,7 | | | | | | | | |
| 30A(C)25X245HS | 25 | 35,3 | 58,8 | 250 | 2500 | 58,3 | 119,1 | | | | | | | | |
| 30A(C)28X245HS | 28 | 39,5 | 79,0 | 250 | 3000 | 60,2 | 122,7 | | | | | | | | |
| 30A(C)32X245S | 32 | 45,1 | 75,2 | 250 | 2500 | 62,0 | 126,3 | | | | | | | | |
| 30A(C)32X245HS | 32 | 45,1 | 84,2 | 250 | 2800 | 66,5 | 135,3 | | | | | | | | |
| 30A(C)36X245S | 36 | 50,8 | 77,8 | 250 | 2300 | 63,5 | 129,4 | 27 | 3/8"-16UNC-2B | 52,4 | 26,2 | 3/8"-16UNC-2B | 47,6 | 22,2 | |
| 30A(C)36X245HS | 36 | 51,3 | 85,5 | 250 | 2500 | 68,0 | 138,5 | | | | | | | | |
| 30A(C)42X245S | 42 | 59,9 | 91,8 | 230 | 2300 | 66,3 | 135,0 | | | | | | | | |
| 30A(C)42X245HS | 42 | 59,9 | 83,8 | 230 | 2100 | 70,8 | 144,0 | | | | | | | | |
| 30A(C)46X245HS | 46 | 65,6 | 76,5 | 230 | 1750 | 72,7 | 147,8 | | | | | | | | |
| 30A(C)50X245HS | 50 | 71,3 | 83,1 | 200 | 1750 | 74,5 | 151,4 | | | | | | | | |
| 30A(C)55X245HS | 55 | 78,4 | 91,4 | 200 | 1750 | 76,7 | 155,9 | 27 | 3/8"-16UNC-2B | 52,4 | 26,2 | 3/8"-16UNC-2B | 47,6 | 22,2 | |
| 30A(C)60X245HS | 60 | 85,5 | 99,8 | 180 | 1750 | 78,7 | 160,4 | | | | | | | | |

Designed as a first section of multiple gear pumps group 32.
Usually connected with second section pumps type 20A(C)...X201.

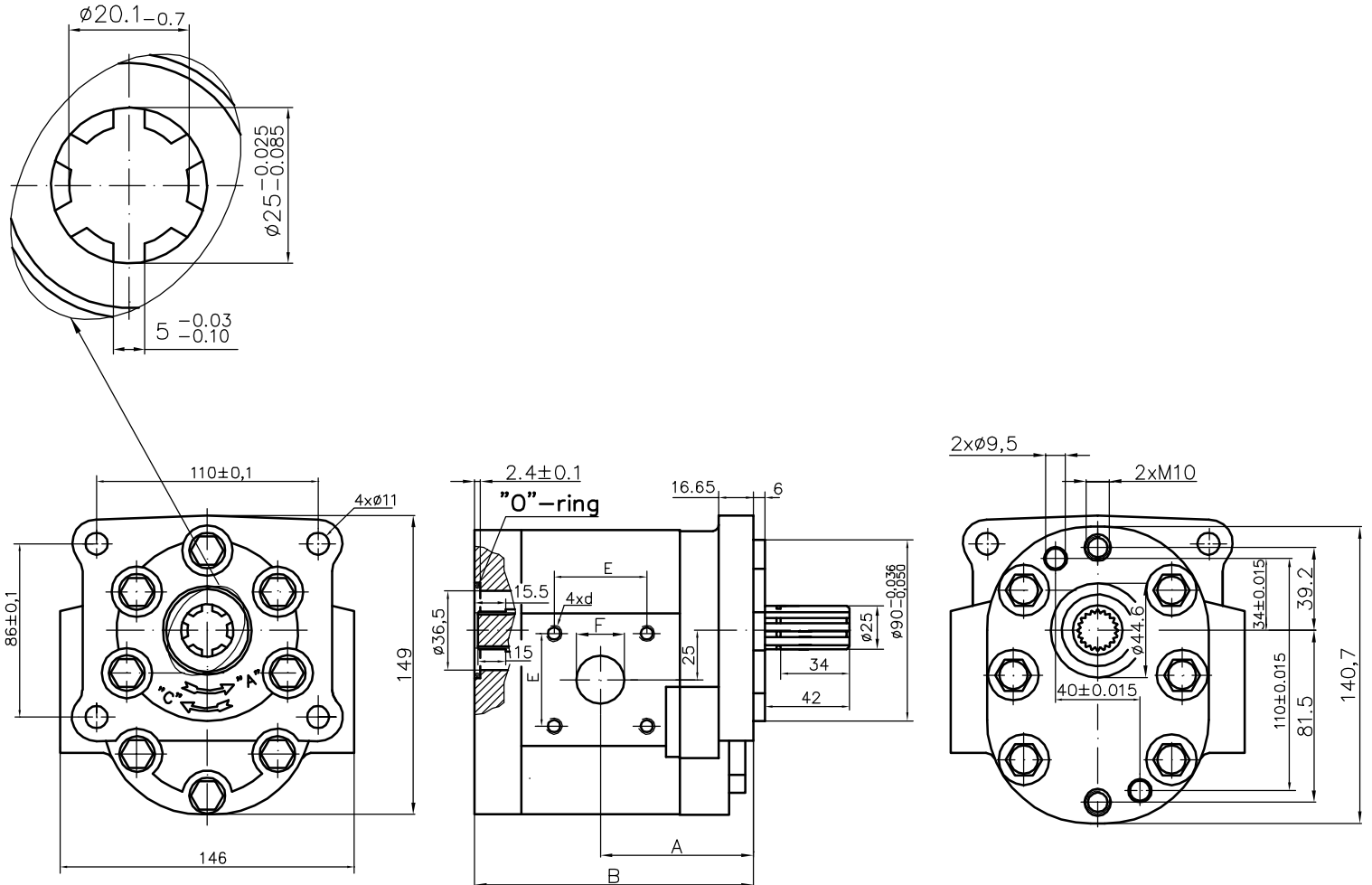
*Variant "E" – designation 30A(C)...X245HSE



GEAR PUMP TYPE PGP 30A(C)...X247H

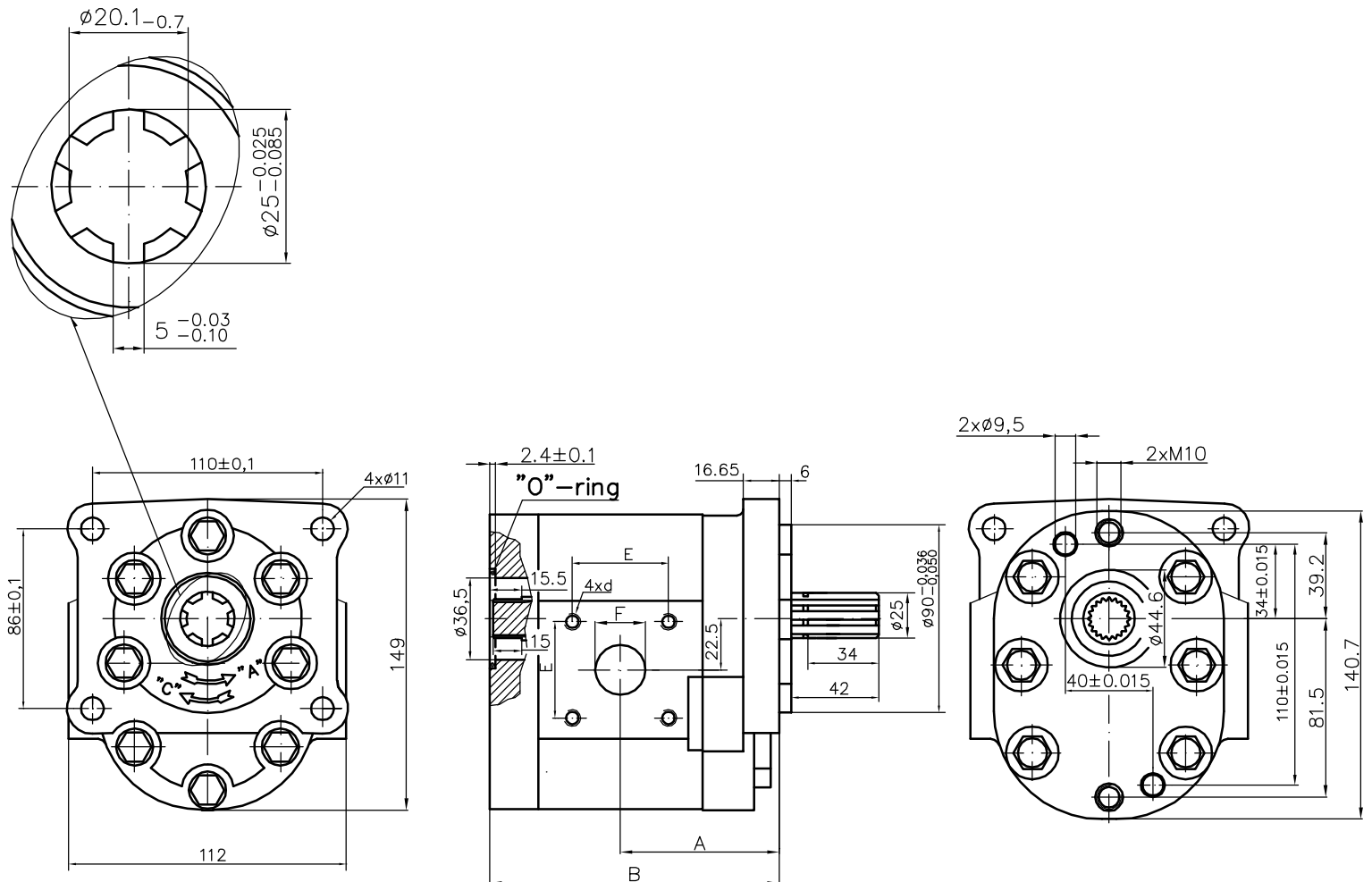
| Type | Displacement cm ³ /rev | Flow | | Pressure P _{nom} bar | max Speed n rpm | Dimension | | | | | | | |
|---------------|--------------------------------------|----------------------|---------------------|-------------------------------------|-----------------------|-----------|---------|--------|-----|----|----|-----|----|
| | | at 1500 rpm l/min | at max rpm l/min | | | Inlet | | Outlet | | | | | |
| | | | | | | A mm | B mm | E | d | F | E | d | F |
| 30A(C)25X247 | 24,5 | 34,5 | 69,1 | 200 | 3000 | 72,5 | 133,0 | 46 | M8 | 20 | 46 | M8 | 20 |
| 30A(C)32X247 | 32 | 45,1 | 75,2 | 200 | 2500 | 76,0 | 140,3 | 46 | M8 | 22 | | M8 | 22 |
| 30A(C)32X247H | 32 | 45,1 | 75,2 | 200 | 2500 | 76,0 | 140,7 | | | | | | |
| 30A(C)46X247 | 46 | 65,6 | 100,5 | 190 | 2300 | 72,5 | 144,2 | 54 | M10 | 27 | 54 | M10 | 27 |
| 30A(C)46X247H | 46 | 65,6 | 100,5 | 190 | 2300 | 72,5 | 153,2 | | | | | | |
| 30A(C)50X247 | 50 | 71,3 | 99,8 | 175 | 2100 | 72,5 | 147,8 | | | | | | |
| 30A(C)50X247H | 50 | 71,3 | 99,8 | 175 | 2100 | 72,5 | 156,8 | | | | | | |

Designed as a first section of multiple gear pumps group 33.



| Type | Displacement cm ³ /rev | Flow | | Pressure P _{nom} bar | max Speed n rpm | Dimension | | | | | | | |
|---------------|--------------------------------------|----------------------|---------------------|-------------------------------------|-----------------------|-----------|---------|---------|---------|---------|---------|---------|---------|
| | | at 1500 rpm l/min | at max rpm l/min | | | Inlet | | Outlet | | | | | |
| | | | | | | A mm | B mm | E mm | d mm | F mm | E mm | d mm | F mm |
| 30A(C)25X247Y | 24,5 | 34,5 | 69,1 | 200 | 3000 | 64,0 | 124,5 | 46 | M8 | 20 | 46 | M8 | 20 |
| 30A(C)32X247Y | 32 | 45,1 | 75,2 | 200 | 2500 | 67,6 | 131,8 | 46 | M8 | 22 | 46 | M8 | 22 |
| 30A(C)46X247Y | 46 | 65,6 | 100,5 | 190 | 2300 | 72,5 | 144,2 | 54 | M10 | 27 | 54 | M10 | 27 |
| 30A(C)50X247Y | 50 | 71,3 | 99,8 | 175 | 2100 | 72,5 | 147,8 | | | | | | |

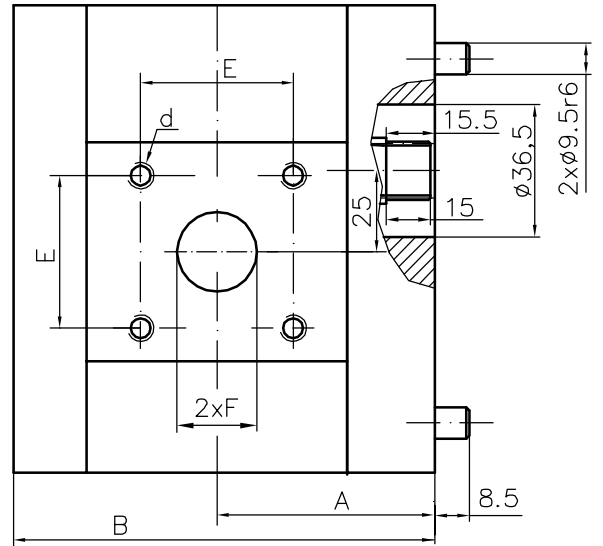
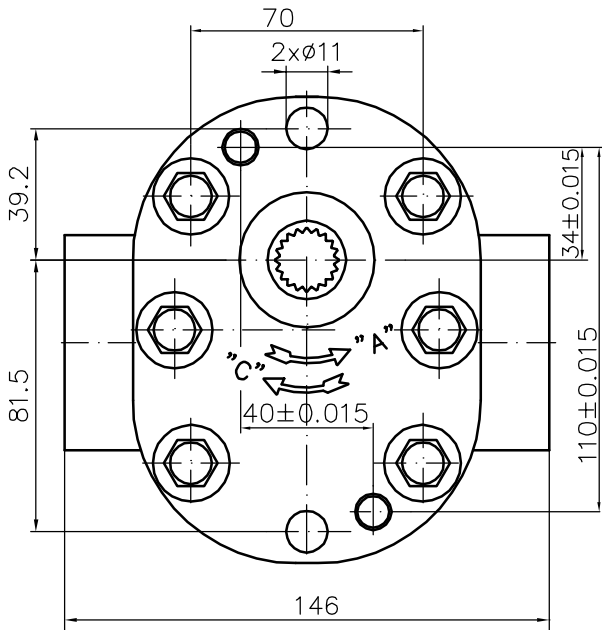
Designed as a first section of multiple gear pumps group 33.



GEAR PUMP TYPE PGP 30A(C)...X248

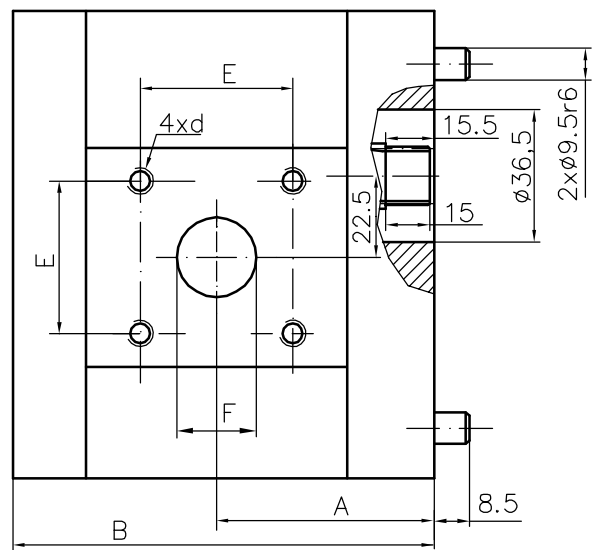
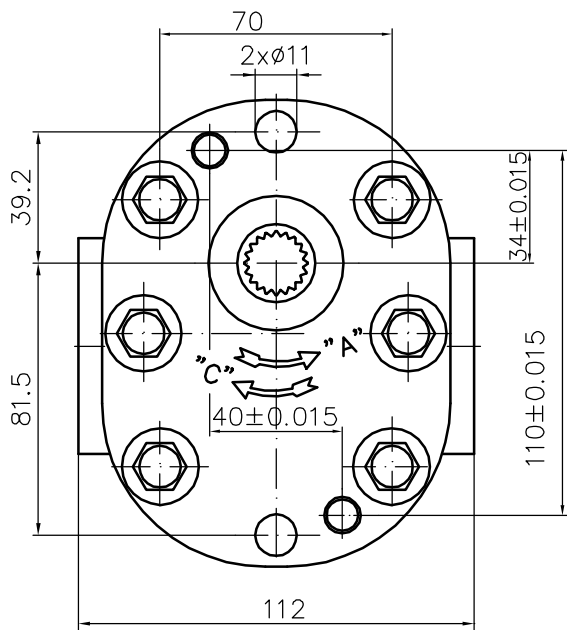
| Type | Displacement cm ³ /rev | Flow | | Pressure P _{nom} bar | max Speed n rpm | Dimension | | | | | | | |
|--------------|--------------------------------------|----------------------|---------------------|-------------------------------------|-----------------------|-----------|-------|----|-----|-------|----|--------|----|
| | | at 1500 rpm l/min | at max rpm l/min | | | A | | B | | Inlet | | Outlet | |
| | | | | | | mm | mm | E | d | F | E | d | F |
| 30A(C)25X248 | 24,5 | 34,5 | 69,1 | 200 | 3000 | 60,6 | 118,3 | 46 | M8 | 19 | 46 | M8 | 19 |
| 30A(C)32X248 | 32 | 45,1 | 75,2 | 200 | 2500 | 64,2 | 125,5 | 46 | M8 | 22 | 46 | M8 | 22 |
| 30A(C)46X248 | 46 | 65,6 | 100,5 | 190 | 2300 | 70,4 | 138,0 | 54 | M10 | 27 | 54 | M10 | 27 |
| 30A(C)50X248 | 50 | 71,3 | 99,8 | 175 | 2100 | 72,2 | 141,6 | 54 | M10 | 27 | 54 | M10 | 27 |

Designed as a second section of multiple gear pumps group 33.



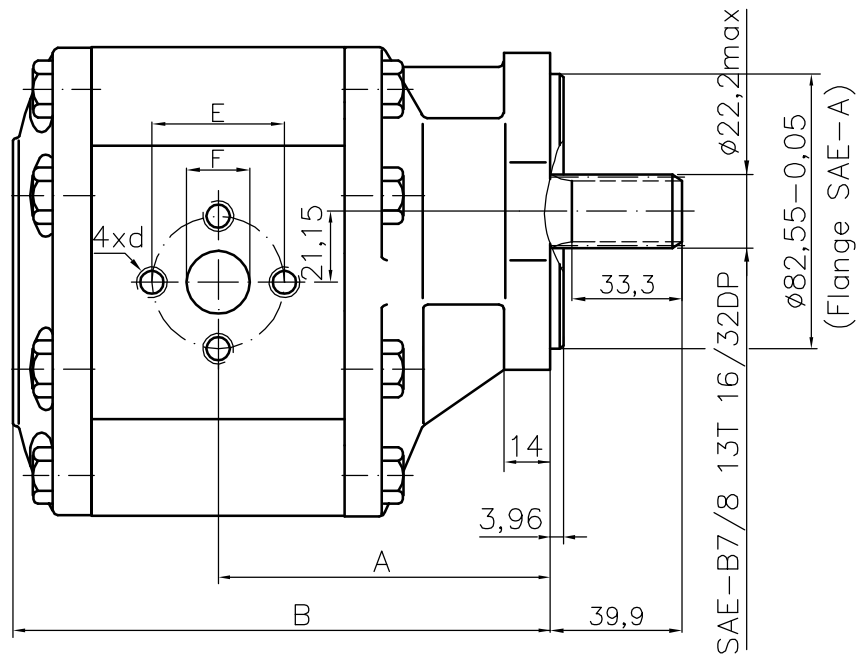
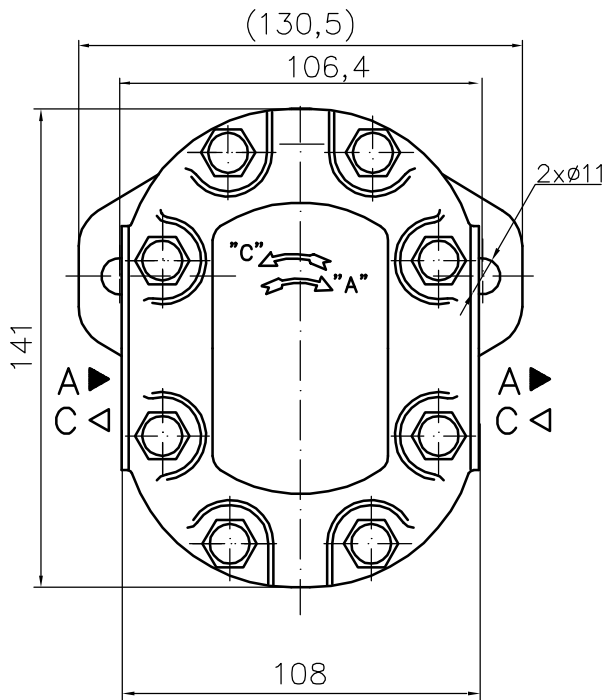
| Type | Displacement cm ³ /rev | Flow | | Pressure P _{nom} bar | max Speed n rpm | Dimension | | | | | | | |
|---------------|--------------------------------------|----------------------|---------------------|-------------------------------------|-----------------------|-----------|-------|----|-----|-------|----|--------|----|
| | | at 1500 rpm l/min | at max rpm l/min | | | A | | B | | Inlet | | Outlet | |
| | | | | | | mm | mm | E | d | F | E | d | F |
| 30A(C)25X248Y | 24,5 | 34,5 | 69,1 | 200 | 3000 | 60,6 | 118,3 | 46 | M8 | 20 | 46 | M8 | 20 |
| 30A(C)32X248Y | 32 | 45,1 | 75,2 | 200 | 2500 | 64,2 | 125,5 | 46 | M8 | 22 | 46 | M8 | 22 |
| 30A(C)46X248Y | 46 | 65,6 | 100,5 | 190 | 2300 | 70,4 | 138,0 | 54 | M10 | 27 | 54 | M10 | 27 |
| 30A(C)50X248Y | 50 | 71,3 | 99,8 | 175 | 2100 | 72,2 | 141,6 | | | | | | |

Designed as a second section of multiple gear pumps group 33.



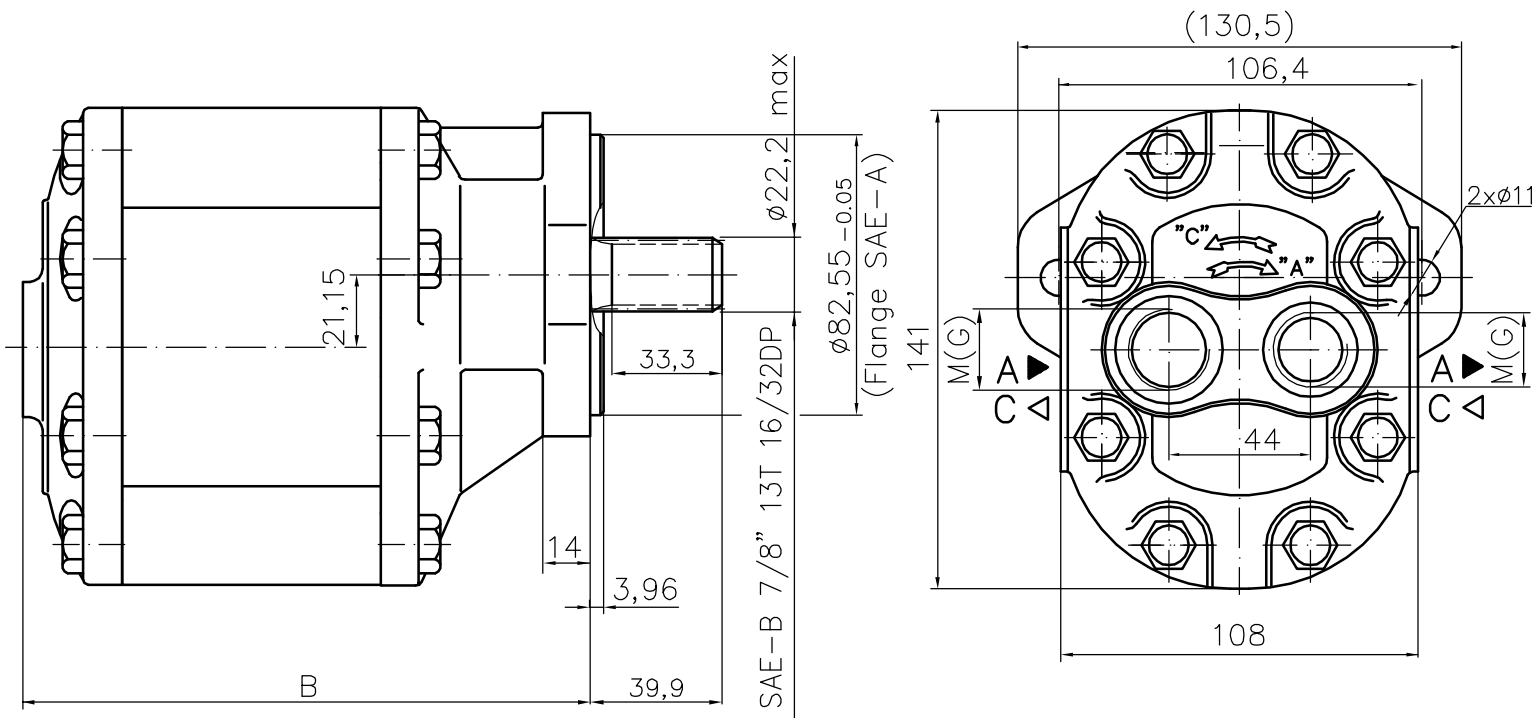
GEAR PUMP TYPE PGP 30A(C)...X263H

| Type | Displacement cm ³ /rev | Flow | | Pressure P _{nom} bar | max Speed n rpm | Dimension | | | | | | | |
|-----------------|--------------------------------------|----------------------|---------------------|-------------------------------------|-----------------------|-----------|-------|--------|-----|----|----|----|----|
| | | at 1500 rpm l/min | at max rpm l/min | | | Inlet | | Outlet | | | | | |
| | | A mm | B mm | E mm | d | F | E | d | F | | | | |
| 30A(C)20X263H | 20 | 28,2 | 56,4 | 200 | 3000 | 95,1 | 152,3 | 40 | M8 | 19 | 40 | M8 | 19 |
| 30A(C)22,2X263H | 22,5 | 31,7 | 63,5 | 200 | 3000 | 96,8 | 155,4 | | | | | | |
| 30A(C)25X263H | 25 | 35,3 | 70,5 | 200 | 3000 | 97,4 | 156,8 | | | | | | |
| 30A(C)28X263H | 28 | 39,5 | 79,0 | 200 | 3000 | 99,1 | 160,2 | | | | | | |
| 30A(C)32X263 | 32 | 45,1 | 75,2 | 200 | 2500 | 101,0 | 163,8 | | | | | | |
| 30A(C)32X263H | 32 | 45,1 | 90,2 | 200 | 3000 | 105,5 | 172,8 | 51 | M10 | 27 | 40 | M8 | 19 |
| 30A(C)36X263 | 36 | 50,8 | 84,6 | 190 | 2500 | 102,7 | 166,9 | | | | | | |
| 30A(C)36X263H | 36 | 51,3 | 95,8 | 190 | 2800 | 107,2 | 175,9 | | | | | | |
| 30A(C)42X263 | 42 | 59,9 | 91,8 | 190 | 2300 | 105,3 | 172,5 | | | | | | |
| 30A(C)42X263H | 42 | 59,9 | 99,8 | 190 | 2500 | 109,8 | 181,5 | | | | | | |
| 30A(C)46X263H | 46 | 65,6 | 100,5 | 175 | 2300 | 111,7 | 186,3 | | | | | | |
| 30A(C)50X263H | 50 | 71,3 | 99,8 | 175 | 2100 | 113,5 | 188,9 | | | | | | |
| 30A(C)55X263H | 55 | 78,4 | 91,4 | 175 | 1750 | 115,7 | 193,4 | | | | | | |
| 30A(C)60X263H | 60 | 85,5 | 99,8 | 160 | 1750 | 118,0 | 197,9 | | | | | | |



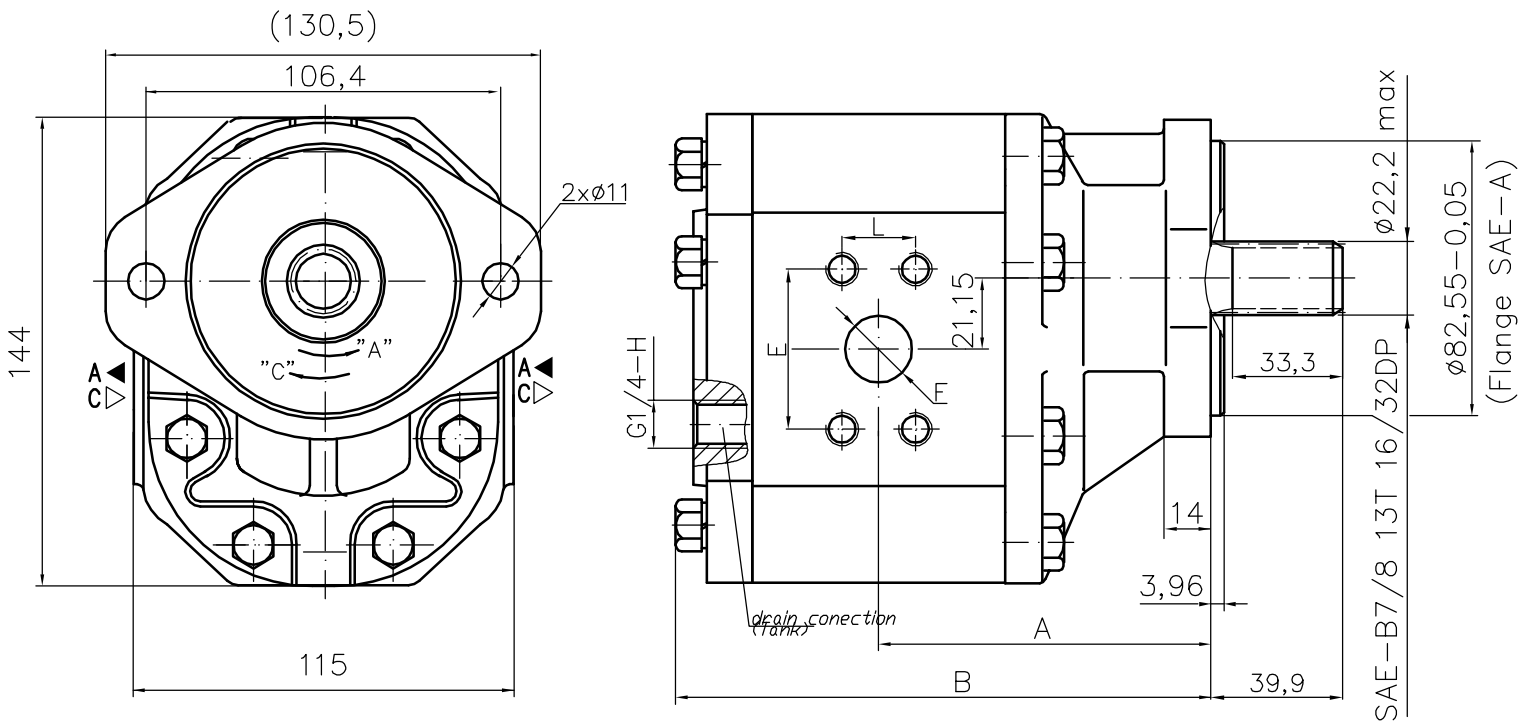
GEAR PUMP TYPE PGP 30A(C)...X263WH

| Type | Displacement cm ³ /rev | Flow | | Pressure P _{nom} bar | max Speed n rpm | Dimension | | | | | | |
|------------------|--------------------------------------|----------------------|---------------------|-------------------------------------|-----------------------|-----------|---------|--------|-------|--|---------|---------|
| | | at 1500 rpm l/min | at max rpm l/min | | | Inlet | | Outlet | | | | |
| | | | | | | A mm | B mm | M | G | | M | G |
| 30A(C)20X263WH | 20 | 28,2 | 56,4 | 200 | 3000 | | 157,8 | M33x2 | G1"-A | | M27x1,5 | G3/4"-A |
| 30A(C)22,2X263WH | 22,5 | 31,7 | 63,5 | 200 | 3000 | | 160,9 | | | | | |
| 30A(C)25X263WH | 25 | 35,3 | 70,5 | 200 | 3000 | | 162,3 | | | | | |
| 30A(C)28X263WH | 28 | 39,5 | 79,0 | 200 | 3000 | | 165,7 | | | | | |
| 30A(C)32X263W | 32 | 45,1 | 75,2 | 200 | 2500 | | 169,3 | | | | | |
| 30A(C)32X263WH | 32 | 45,1 | 90,2 | 200 | 3000 | | 178,3 | | | | | |
| 30A(C)36X263W | 36 | 50,8 | 84,6 | 190 | 2500 | | 172,4 | | | | | |
| 30A(C)36X263WH | 36 | 51,3 | 95,8 | 190 | 2800 | | 181,4 | | | | | |
| 30A(C)42X263W | 42 | 59,9 | 91,8 | 190 | 2300 | | 178,0 | | | | | |
| 30A(C)42X263WH | 42 | 59,9 | 99,8 | 190 | 2500 | | 187,0 | | | | | |
| 30A(C)46X263WH | 46 | 65,6 | 100,5 | 175 | 2300 | | 191,8 | | | | | |
| 30A(C)50X263WH | 50 | 71,3 | 99,8 | 175 | 2100 | | 194,4 | | | | | |
| 30A(C)55X263WH | 55 | 78,4 | 91,4 | 175 | 1750 | | 198,9 | | | | | |
| 30A(C)60X263WH | 60 | 85,5 | 99,8 | 160 | 1750 | | 203,4 | | | | | |



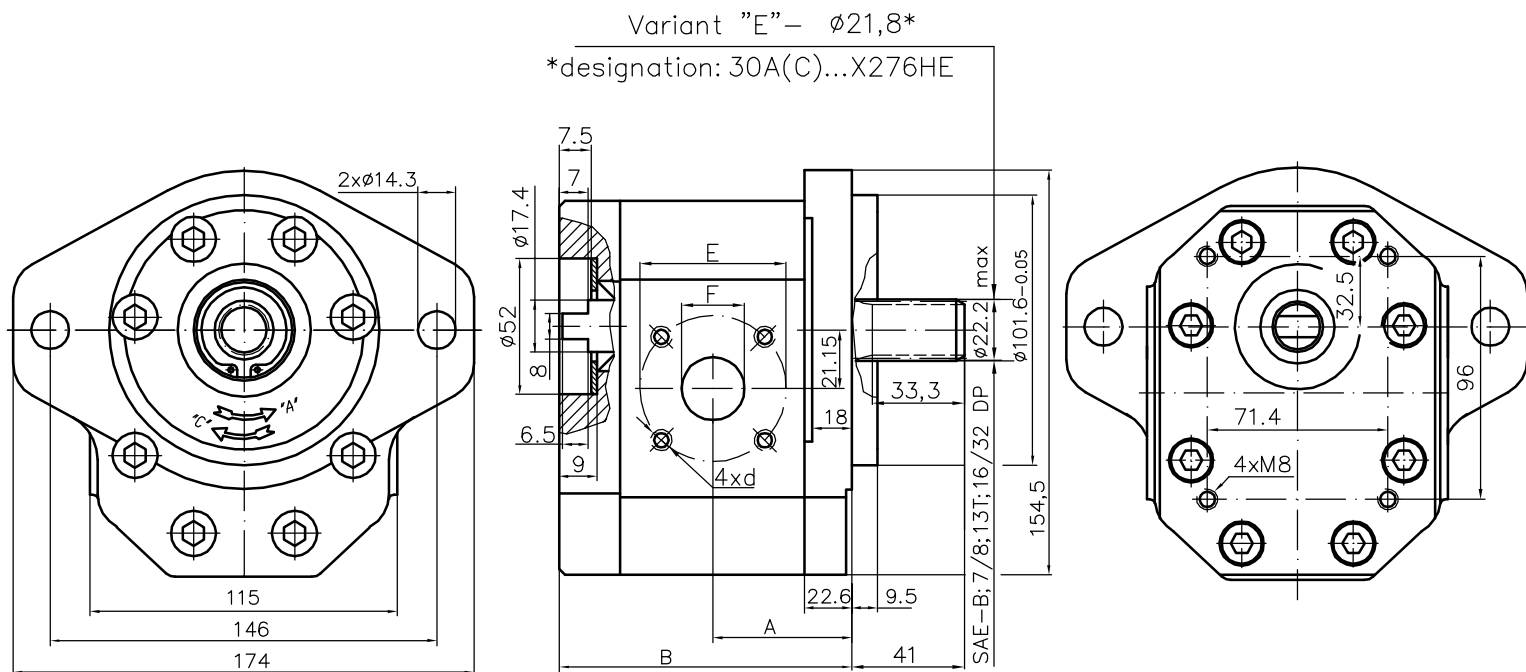
GEAR PUMP TYPE PGP 30A(C)...X274H

| Type | Displacement cm ³ /rev | Flow | | Pressure P _{nom} bar | max Speed n rpm | Dimension | | | | | | | | | |
|---------------|--------------------------------------|----------------------|---------------------|-------------------------------------|-----------------------|-----------|---------|-------|----|----|------|--------|----|----|------|
| | | at 1500 rpm l/min | at max rpm l/min | | | A mm | B mm | Inlet | | | | Outlet | | | |
| | | | | | | E | d | F | L | E | d | F | L | | |
| 30A(C)32X274 | 32 | 45,1 | 75,2 | 220 | 2500 | 101,0 | 163,8 | 52,4 | M8 | 27 | 26,2 | 52,4 | M8 | 18 | 26,2 |
| 30A(C)32X274H | 32 | 45,1 | 90,2 | 220 | 3000 | 105,5 | 172,8 | 52,4 | M8 | 27 | 26,2 | 52,4 | M8 | 18 | 26,2 |
| 30A(C)55X274 | 55 | 78,4 | 91,4 | 200 | 1750 | 111,2 | 184,4 | 35,6 | M8 | 32 | 69,8 | 52,4 | M8 | 22 | 26,2 |
| 30A(C)55X274H | 55 | 78,4 | 91,4 | 200 | 1750 | 115,7 | 193,4 | 35,6 | M8 | 32 | 69,8 | 52,4 | M8 | 22 | 26,2 |



| Type | Displacement cm ³ /rev | Flow | | Pressure P _{nom} bar | max Speed n rpm | Dimension | | | | | | | |
|-----------------|--------------------------------------|----------------------|---------------------|-------------------------------------|-----------------------|-----------|---------|---------|---------|----|----|----|----|
| | | at 1500 rpm l/min | at max rpm l/min | | | Inlet | | Outlet | | | | | |
| | | A mm | B mm | E mm | d mm | F mm | E mm | d mm | F mm | | | | |
| 30A(C)20X276H | 20 | 28,2 | 56,4 | 250 | 3000 | 56,1 | 114,7 | 40 | M8 | 19 | 40 | M8 | 19 |
| 30A(C)22,2X276H | 22,5 | 31,7 | 63,5 | 250 | 3000 | 57,6 | 117,7 | | | | | | |
| 30A(C)25X276H | 25 | 35,3 | 70,5 | 250 | 3000 | 58,3 | 119,1 | | | | | | |
| 30A(C)28X276H | 28 | 39,5 | 79,0 | 250 | 3000 | 60,2 | 122,7 | | | | | | |
| 30A(C)32X276 | 32 | 45,1 | 75,2 | 250 | 2500 | 62,0 | 126,3 | 55 | M8 | 27 | 55 | M8 | 19 |
| 30A(C)32X276H | 32 | 45,1 | 90,2 | 250 | 3000 | 66,5 | 135,3 | | | | | | |
| 30A(C)36X276 | 36 | 50,8 | 84,6 | 250 | 2500 | 63,5 | 129,4 | | | | | | |
| 30A(C)36X276H | 36 | 51,3 | 95,8 | 250 | 2800 | 68,0 | 138,5 | | | | | | |
| 30A(C)42X276 | 42 | 59,9 | 91,8 | 230 | 2300 | 66,3 | 135,0 | 55 | M8 | 27 | 55 | M8 | 19 |
| 30A(C)42X276H | 42 | 59,9 | 99,8 | 230 | 2500 | 70,8 | 144,0 | | | | | | |
| 30A(C)46X276H | 46 | 65,6 | 100,5 | 230 | 2300 | 72,7 | 147,8 | | | | | | |
| 30A(C)50X276H | 50 | 71,3 | 99,8 | 200 | 2100 | 74,5 | 151,4 | | | | | | |
| 30A(C)55X276H | 55 | 78,4 | 91,4 | 200 | 1750 | 76,7 | 155,9 | 55 | M8 | 27 | 55 | M8 | 19 |
| 30A(C)60X276H | 60 | 85,5 | 99,8 | 180 | 1750 | 78,7 | 160,4 | | | | | | |

Designed as a first section of multiple gear pumps group 32.

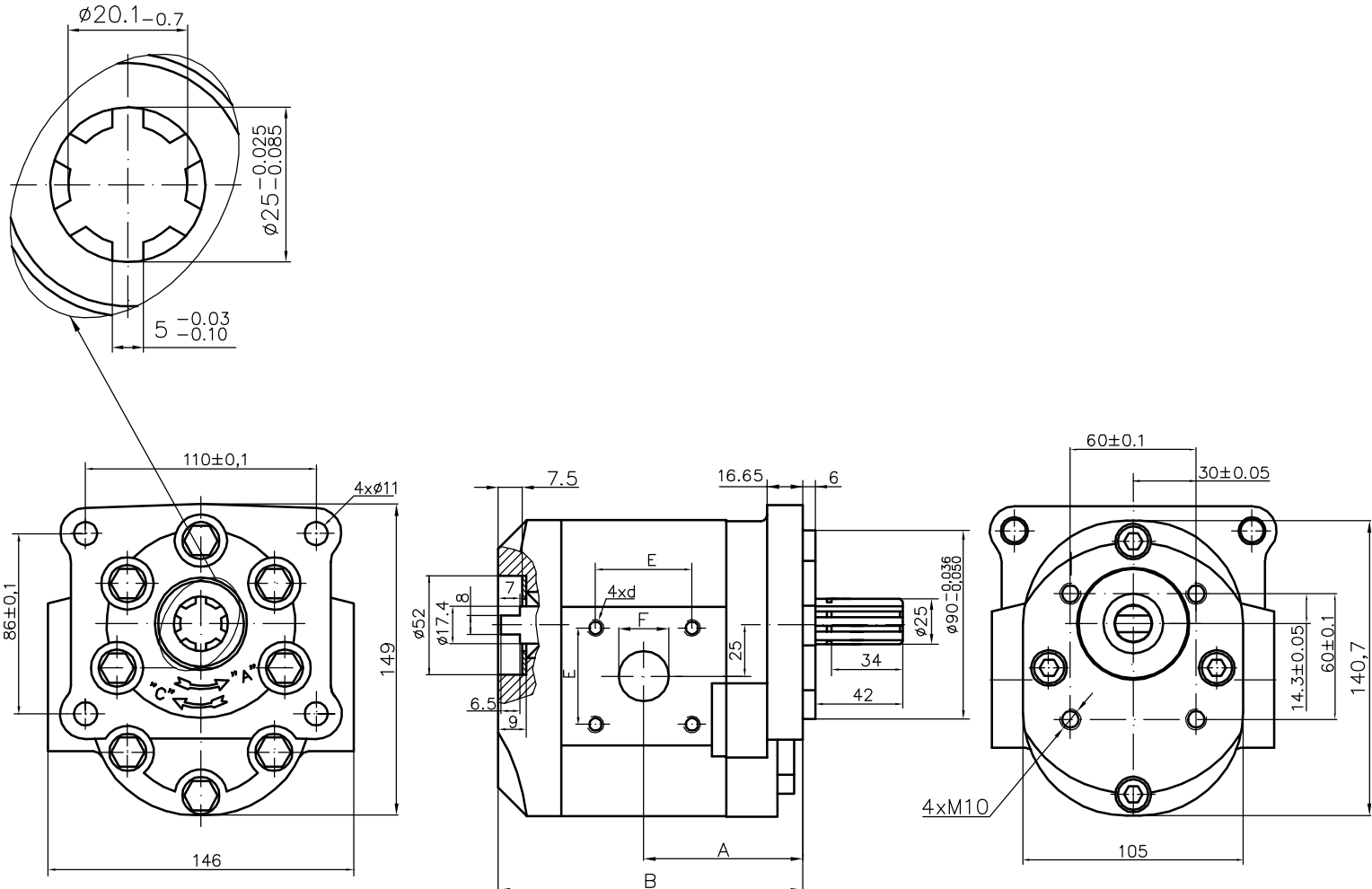


GEAR PUMP TYPE PGP 30A(C)...X277H

| Type | Displacement cm ³ /rev | Flow | | Pressure P _{nom} bar | max Speed n rpm | Dimension | | | | | | | |
|---------------|--------------------------------------|----------------------|---------------------|-------------------------------------|-----------------------|-----------|---------|---------|-----|---------|---------|-----|---------|
| | | at 1500 rpm l/min | at max rpm l/min | | | Inlet | | Outlet | | | | | |
| | | | | | | A mm | B mm | E mm | d | F mm | E mm | d | F mm |
| 30A(C)25X277 | 24,5 | 34,5 | 69,1 | 200 | 3000 | 72,5 | 138,2 | 46 | M8 | 20 | 46 | M8 | 20 |
| 30A(C)32X277 | 32 | 45,1 | 75,2 | 200 | 2500 | 76,0 | 145,4 | 46 | M8 | 22 | 46 | M8 | 22 |
| 30A(C)32X277H | 32 | 45,1 | 75,2 | 200 | 2500 | 76,0 | 154,4 | | | | | | |
| 30A(C)46X277 | 46 | 65,6 | 100,5 | 190 | 2300 | 72,5 | 149,4 | 54 | M10 | 27 | 54 | M10 | 27 |
| 30A(C)46X277H | 46 | 65,6 | 100,5 | 190 | 2300 | 72,5 | 158,4 | | | | | | |
| 30A(C)50X277 | 50 | 71,3 | 99,8 | 175 | 2100 | 72,5 | 153,0 | | | | | | |
| 30A(C)50X277H | 50 | 71,3 | 99,8 | 175 | 2100 | 72,5 | 162,0 | | | | | | |

Designed as a first section of multiple gear pumps group 32.

Usually connected with second section pumps type 20A(C)...X066; 20A(C)...X077 and others with central diameter $\phi 52$.

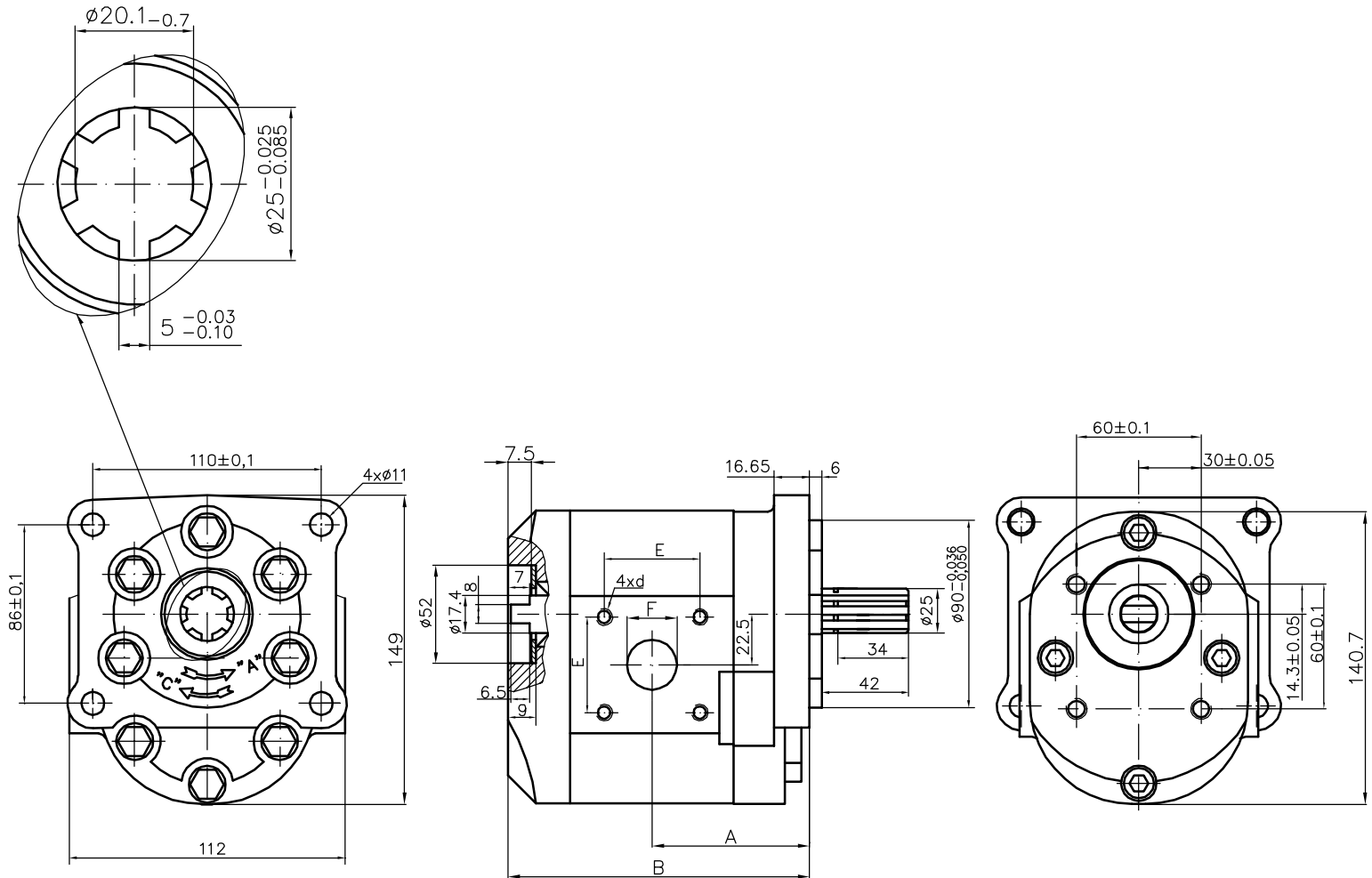


GEAR PUMP TYPE PGP 30A(C)...X277Y

| Type | Displacement cm ³ /rev | Flow | | Pressure P _{nom} bar | max Speed n rpm | Dimension | | | | | | | |
|---------------|--------------------------------------|----------------------|---------------------|-------------------------------------|-----------------------|-----------|---------|---------|-----|---------|---------|-----|---------|
| | | at 1500 rpm l/min | at max rpm l/min | | | Inlet | | Outlet | | | | | |
| | | | | | | A mm | B mm | E mm | d | F mm | E mm | d | F mm |
| 30A(C)25X277Y | 24,5 | 34,5 | 69,1 | 200 | 3000 | 64,0 | 129,7 | 46 | M8 | 20 | 46 | M8 | 20 |
| 30A(C)32X277Y | 32 | 45,1 | 75,2 | 200 | 2500 | 67,6 | 136,9 | 46 | M8 | 22 | 46 | M8 | 22 |
| 30A(C)46X277Y | 46 | 65,6 | 100,5 | 190 | 2300 | 72,5 | 149,4 | | | | | | |
| 30A(C)50X277Y | 50 | 71,3 | 99,8 | 175 | 2100 | 72,5 | 153,0 | 54 | M10 | 27 | 54 | M10 | 27 |

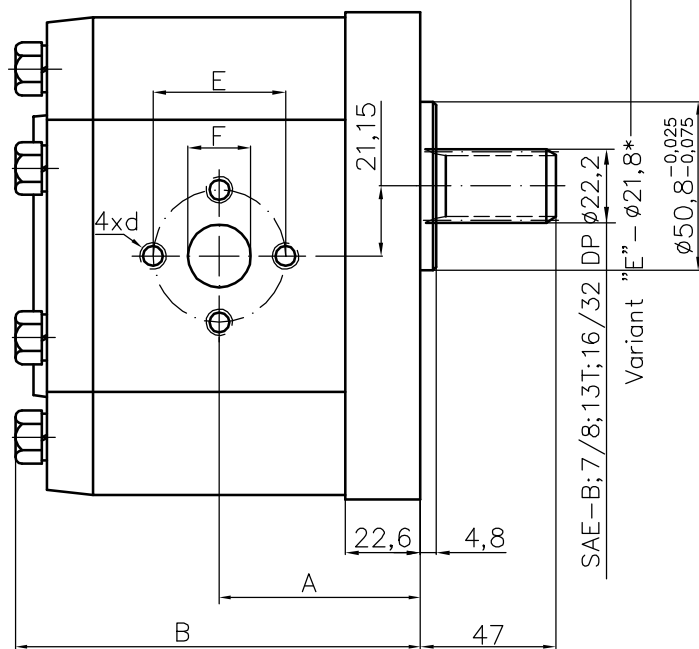
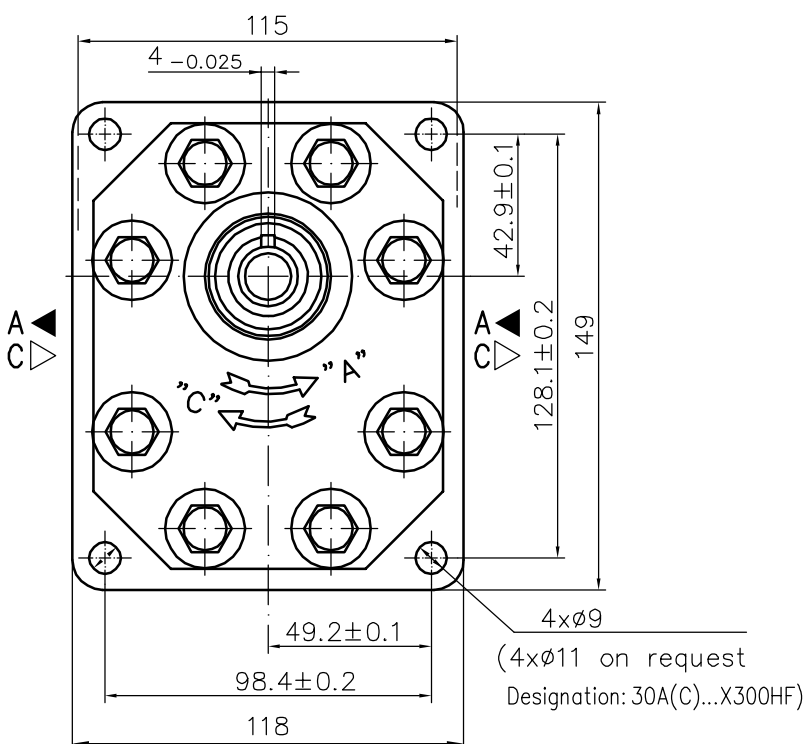
Designed as a first section of multiple pumps group 32.

Connected with second section pumps type 20A(C)...X066; 20A(C)...X077 and others with central diameter $\phi 52$.



| Type | Displacement cm ³ /rev | Flow | | Pressure P _{nom} bar | max Speed n rpm | Dimension | | | | | | | |
|-----------------|--------------------------------------|----------------------|---------------------|-------------------------------------|-----------------------|-----------|-------|----|--------|----|----|----|----|
| | | at 1500 rpm l/min | at max rpm l/min | | | Inlet | | | Outlet | | | | |
| | | A | B | E | d | F | E | d | F | | | | |
| 30A(C)20X300H | 20 | 28,2 | 56,4 | 250 | 3000 | 56,1 | 116,7 | 40 | M8 | 19 | 40 | M8 | 19 |
| 30A(C)22,2X300H | 22,5 | 31,7 | 63,5 | 250 | 3000 | 57,6 | 119,7 | | | | | | |
| 30A(C)25X300H | 25 | 35,3 | 70,5 | 250 | 3000 | 58,3 | 121,1 | | | | | | |
| 30A(C)28X300H | 28 | 39,5 | 79,0 | 250 | 3000 | 60,2 | 124,7 | | | | | | |
| 30A(C)32X300 | 32 | 45,1 | 75,2 | 250 | 2500 | 62,0 | 128,3 | | | | | | |
| 30A(C)32X300H | 32 | 45,1 | 90,2 | 250 | 3000 | 66,5 | 137,3 | | | | | | |
| 30A(C)36X300 | 36 | 50,8 | 84,6 | 250 | 2500 | 63,5 | 131,4 | | | | | | |
| 30A(C)36X300H | 36 | 51,3 | 95,8 | 250 | 2800 | 68,0 | 140,5 | | | | | | |
| 30A(C)42X300 | 42 | 59,9 | 91,8 | 230 | 2300 | 66,3 | 137,0 | 51 | M10 | 27 | | | |
| 30A(C)42X300H | 42 | 59,9 | 99,8 | 230 | 2500 | 70,8 | 146,1 | | | | | | |
| 30A(C)46X300H | 46 | 65,6 | 100,5 | 230 | 2300 | 72,7 | 149,8 | | | | | | |
| 30A(C)50X300H | 50 | 71,3 | 99,8 | 200 | 2100 | 74,5 | 153,4 | | | | | | |
| 30A(C)55X300H | 55 | 78,4 | 91,4 | 200 | 1750 | 76,7 | 157,9 | | | | | | |
| 30A(C)60X300H | 60 | 85,5 | 99,8 | 180 | 1750 | 78,7 | 162,4 | | | | | | |

*designation: 30A(C)...X300HE

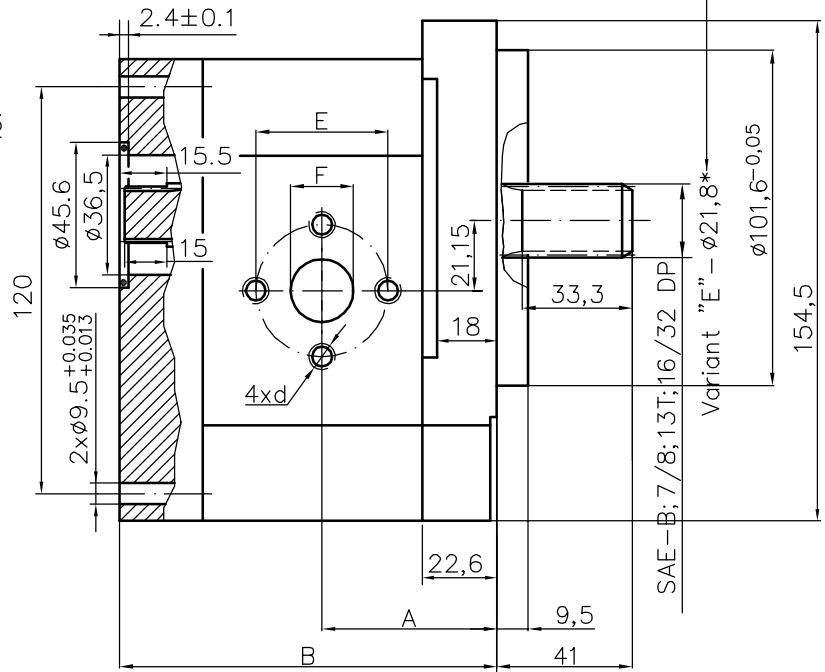
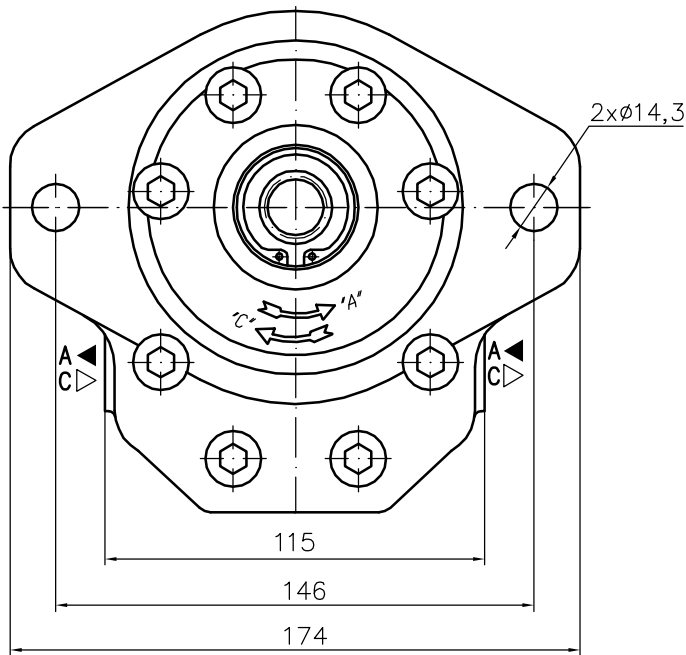


GEAR PUMP TYPE PGP 30A(C)...X309H

| Type | Displacement cm ³ /rev | Flow | | Pressure P _{nom} bar | max Speed n rpm | Dimension | | | | | | | |
|-----------------|--------------------------------------|----------------------|---------------------|-------------------------------------|-----------------------|-----------|---------|---------|---------|---------|---------|---------|---------|
| | | at 1500 rpm l/min | at max rpm l/min | | | Inlet | | | Outlet | | | | |
| | | | | | | A mm | B mm | E mm | d mm | F mm | E mm | d mm | F mm |
| 30A(C)20X309H | 20 | 28,2 | 56,4 | 250 | 3000 | 56,1 | 114,7 | 40 | M8 | 19 | 40 | M8 | 19 |
| 30A(C)22,5X309H | 22,5 | 31,7 | 63,5 | 250 | 3000 | 57,6 | 117,7 | | | | | | |
| 30A(C)25X309H | 25 | 35,3 | 70,5 | 250 | 3000 | 58,3 | 119,1 | | | | | | |
| 30A(C)28X309H | 28 | 39,5 | 79,0 | 250 | 3000 | 60,2 | 122,7 | | | | | | |
| 30A(C)32X309 | 32 | 45,1 | 75,2 | 250 | 2500 | 62,0 | 126,3 | | | | | | |
| 30A(C)32X309H | 32 | 45,1 | 90,2 | 250 | 3000 | 66,5 | 135,3 | 51 | M10 | 27 | 40 | M8 | 19 |
| 30A(C)36X309 | 36 | 50,8 | 84,6 | 250 | 2500 | 63,5 | 129,4 | | | | | | |
| 30A(C)36X309H | 36 | 51,3 | 95,8 | 250 | 2800 | 68,0 | 138,5 | | | | | | |
| 30A(C)42X309 | 42 | 59,9 | 91,8 | 230 | 2300 | 66,3 | 135,0 | | | | | | |
| 30A(C)42X309H | 42 | 59,9 | 99,8 | 230 | 2500 | 70,8 | 144,0 | | | | | | |
| 30A(C)46X309H | 46 | 65,6 | 100,5 | 210 | 2300 | 72,7 | 147,8 | | | | | | |
| 30A(C)50X309H | 50 | 71,3 | 99,8 | 185 | 2100 | 74,5 | 151,4 | | | | | | |
| 30A(C)55X309H | 55 | 78,4 | 91,4 | 165 | 1750 | 76,7 | 155,9 | | | | | | |
| 30A(C)60X309H | 60 | 85,5 | 99,8 | 150 | 1750 | 78,7 | 160,4 | | | | | | |

Designed as a first section of multiple gear pumps group 33.

*designation: 30A(C)...X309HE

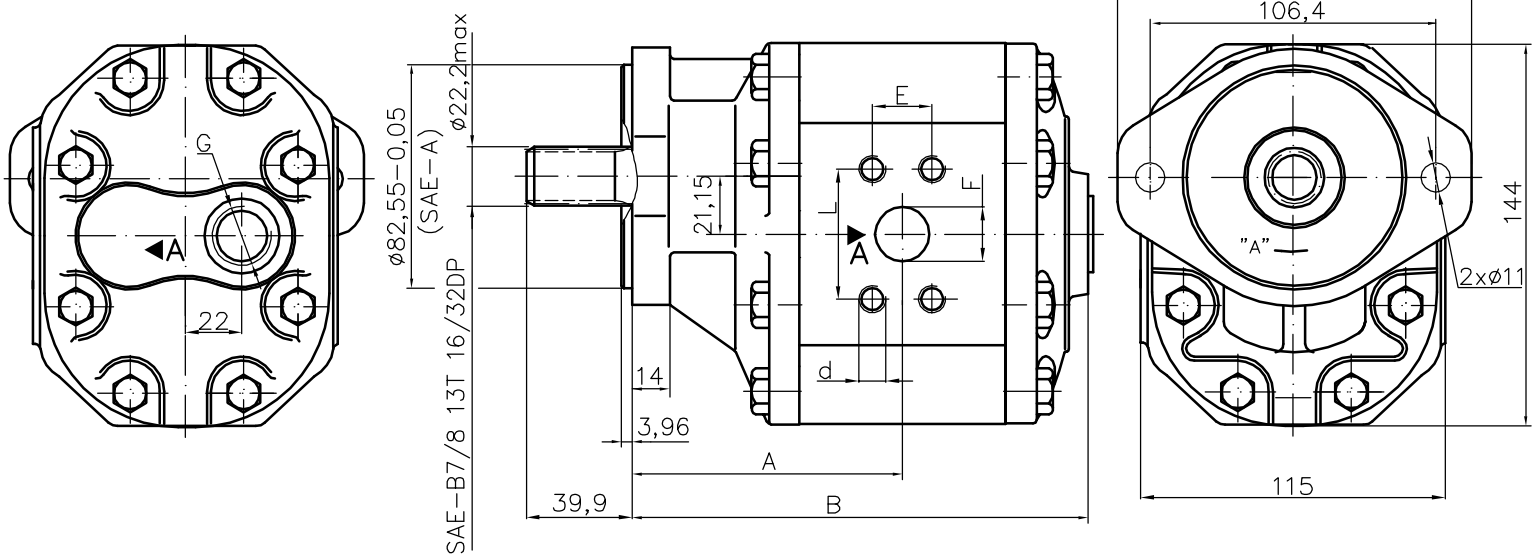


GEAR PUMP TYPE PGP 30A(C)...X323H

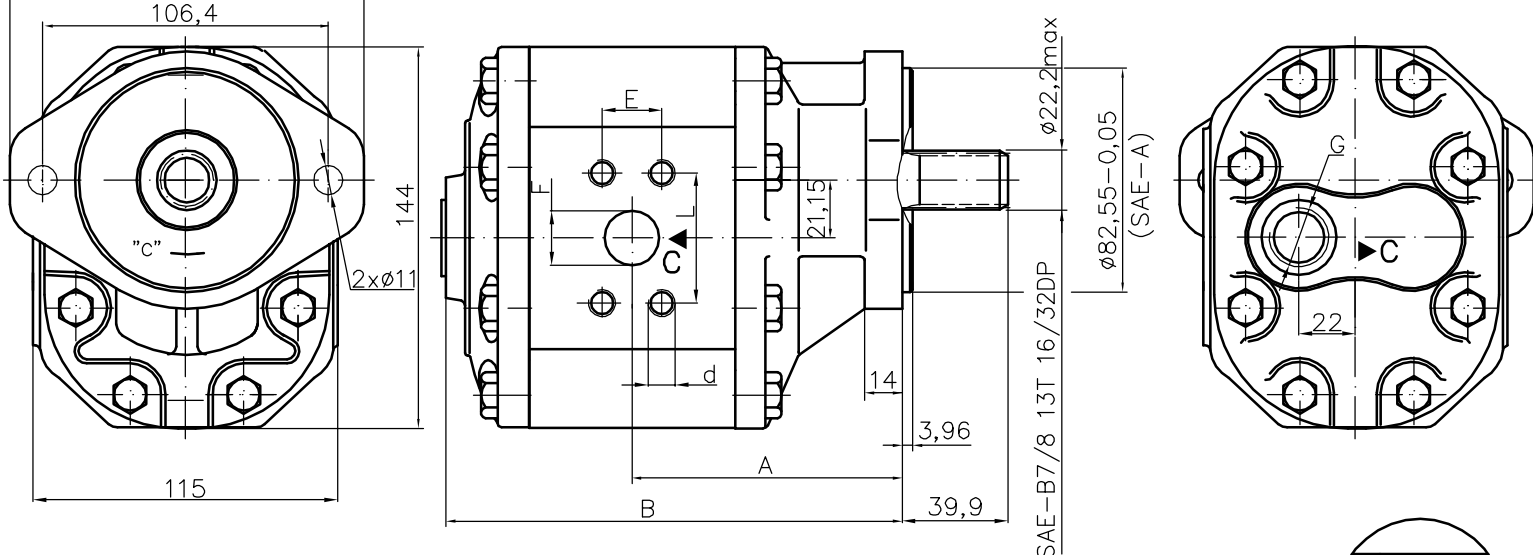
| Type | Displacement cm ³ /rev | Flow | | Pressure P _{nom} bar | max Speed n rpm | Dimension | | | | | | | |
|-----------------|--------------------------------------|----------------------|---------------------|-------------------------------------|-----------------------|-----------|---------|-------|----|----|------|--------|--|
| | | at 1500 rpm l/min | at max rpm l/min | | | A mm | B mm | Inlet | | | | Outlet | |
| | | | | | | E | d | F | L | | G | | |
| 30A(C)20X323H | 20 | 28,2 | 56,4 | 250 | 3000 | 95,1 | 152,3 | | | | | | |
| 30A(C)22,2X323H | 22,5 | 31,7 | 63,5 | 250 | 3000 | 96,8 | 155,4 | | | | | | |
| 30A(C)25X323H | 25 | 35,3 | 70,5 | 250 | 3000 | 97,4 | 156,8 | | | | | | |
| 30A(C)28X323H | 28 | 39,5 | 79,0 | 250 | 3000 | 99,1 | 160,2 | | | | | | |
| 30A(C)32X323 | 32 | 45,1 | 75,2 | 250 | 2500 | 101,0 | 163,8 | 52,4 | M8 | 27 | 26,2 | | |
| 30A(C)32X323H | 32 | 45,1 | 90,2 | 250 | 3000 | 105,5 | 172,8 | 52,4 | M8 | 27 | 26,2 | | |
| 30A(C)36X323 | 36 | 50,8 | 84,6 | 250 | 2500 | 102,7 | 166,9 | | | | | | |
| 30A(C)36X323H | 36 | 51,3 | 95,8 | 250 | 2800 | 107,2 | 175,9 | | | | | | |
| 30A(C)42X323 | 42 | 59,9 | 91,8 | 230 | 2300 | 105,3 | 172,5 | | | | | | |
| 30A(C)42X323H | 42 | 59,9 | 99,8 | 230 | 2500 | 109,8 | 181,5 | | | | | | |
| 30A(C)46X323H | 46 | 65,6 | 100,5 | 230 | 2300 | 111,7 | 186,3 | | | | | | |
| 30A(C)50X323H | 50 | 71,3 | 99,8 | 200 | 2100 | 113,5 | 188,9 | 35,6 | M8 | 32 | 69,8 | | |
| 30A(C)55X323H | 55 | 78,4 | 91,4 | 200 | 1750 | 115,7 | 193,4 | 35,6 | M8 | 32 | 69,8 | | |
| 30A(C)60X323H | 60 | 85,5 | 99,8 | 180 | 1750 | 118,0 | 197,9 | | | | | | |

1 1/16" -12UNF-2B

Rotation "A"

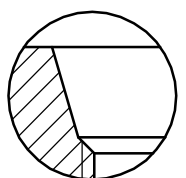


Rotation "C"



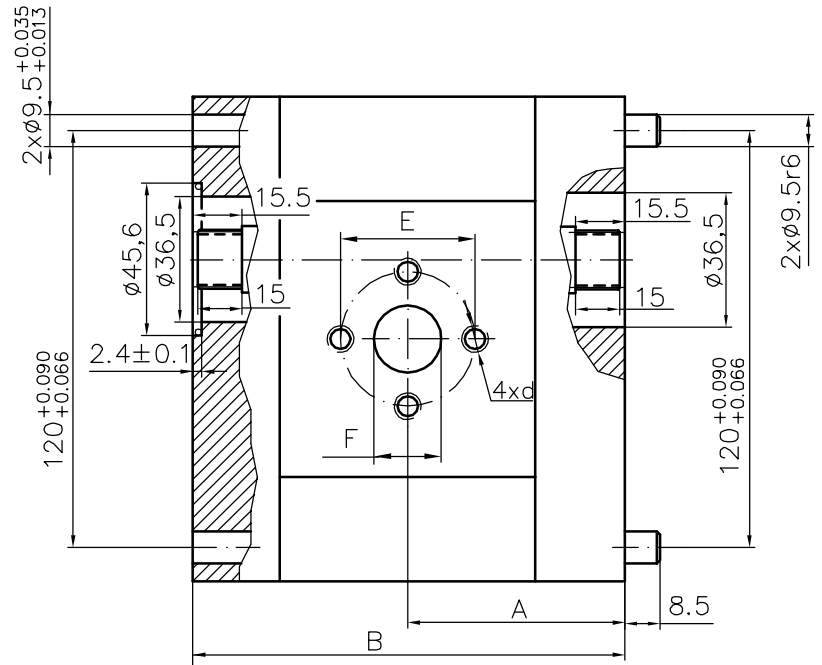
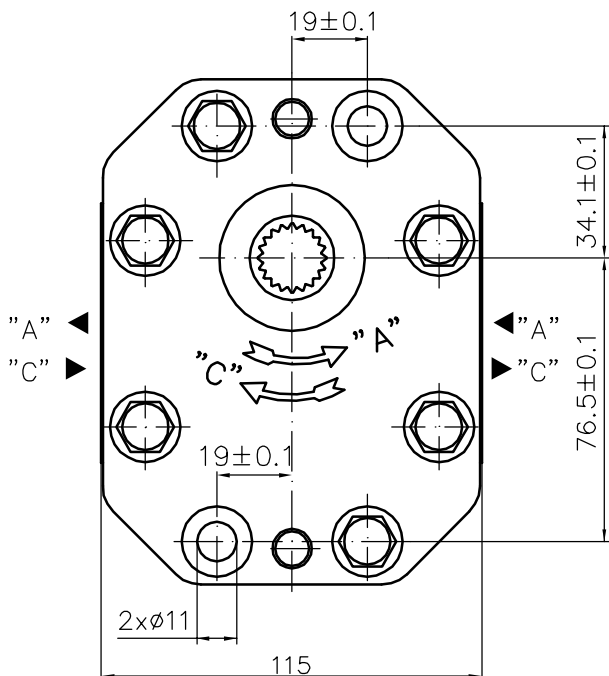
SAE J475 (ISO R725)

for outlet port



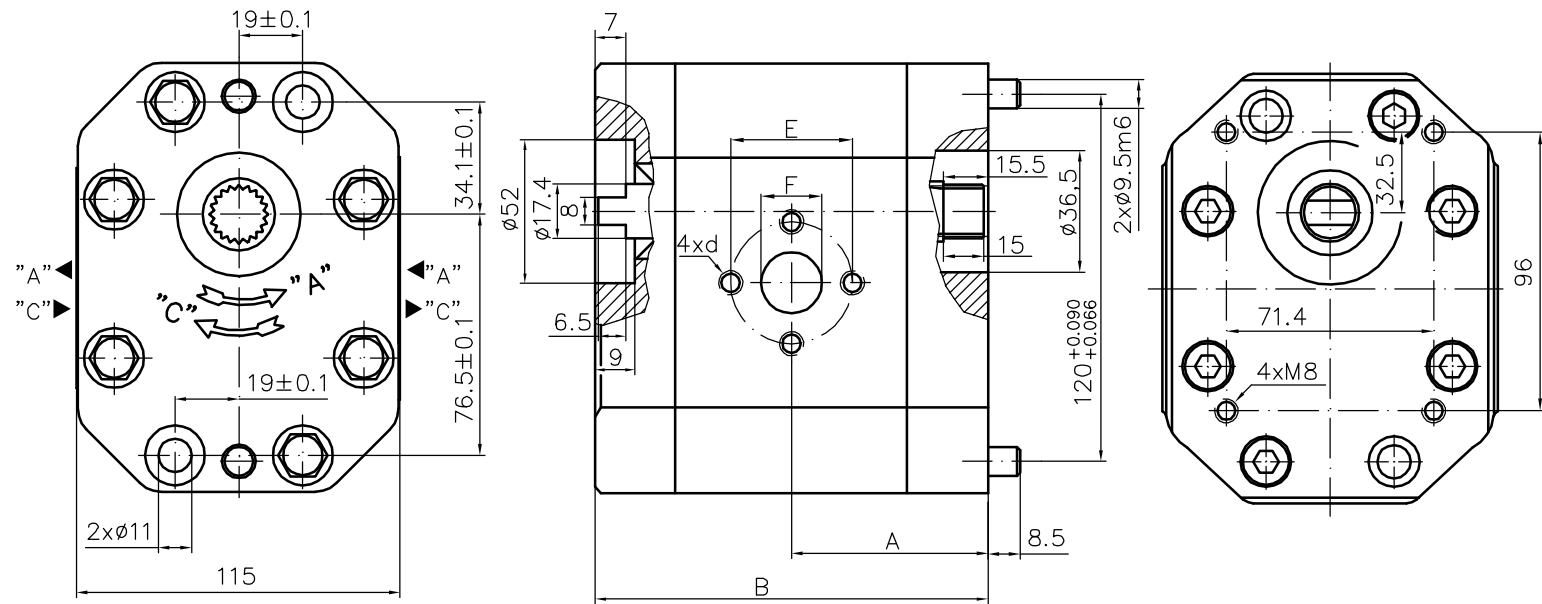
| Type | Displacement cm ³ /rev | Flow | | Pressure P _{nom} bar | max Speed n rpm | Dimension | | | | | | | |
|-----------------|--------------------------------------|----------------------|---------------------|-------------------------------------|-----------------------|-----------|---------|---------|--------|---------|---------|----|---------|
| | | at 1500 rpm l/min | at max rpm l/min | | | Inlet | | | Outlet | | | | |
| | | | | | | A mm | B mm | E mm | d | F mm | E mm | d | F mm |
| 30A(C)20X324H | 20 | 28,2 | 56,4 | 250 | 3000 | 58,5 | 117,1 | 40 | M8 | 19 | 40 | M8 | 19 |
| 30A(C)22,2X324H | 22,5 | 31,7 | 63,5 | 250 | 3000 | 60,0 | 120,1 | | | | | | |
| 30A(C)25X324H | 25 | 35,3 | 70,5 | 250 | 3000 | 60,8 | 121,5 | | | | | | |
| 30A(C)28X324H | 28 | 39,5 | 79,0 | 250 | 3000 | 62,5 | 125,1 | | | | | | |
| 30A(C)32X324H | 32 | 45,1 | 90,2 | 250 | 3000 | 68,8 | 137,7 | 51 | M10 | 27 | 40 | M8 | 19 |
| 30A(C)36X324H | 36 | 51,3 | 95,8 | 250 | 2800 | 70,5 | 140,9 | | | | | | |
| 30A(C)42X324H | 42 | 59,9 | 99,8 | 230 | 2500 | 73,2 | 146,5 | | | | | | |
| 30A(C)46X324H | 46 | 65,6 | 100,5 | 230 | 2300 | 75,1 | 150,2 | | | | | | |
| 30A(C)50X324H | 50 | 71,3 | 99,8 | 200 | 2100 | 76,9 | 153,8 | | | | | | |
| 30A(C)55X324H | 55 | 78,4 | 91,4 | 200 | 1750 | 79,1 | 158,3 | | | | | | |
| 30A(C)60X324H | 60 | 85,5 | 99,8 | 180 | 1750 | 81,4 | 162,8 | | | | | | |

Designed as a middle section of multiple gear pumps group 333.



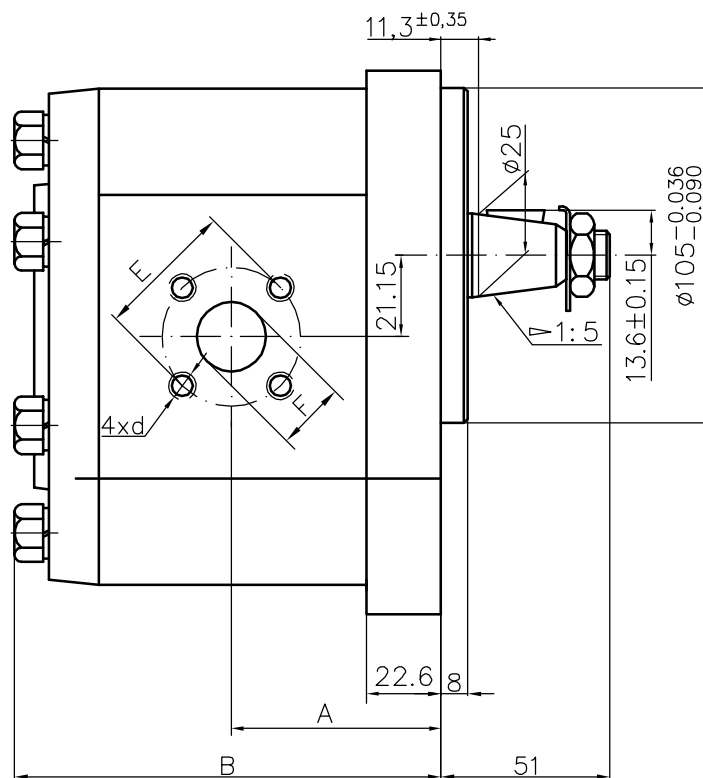
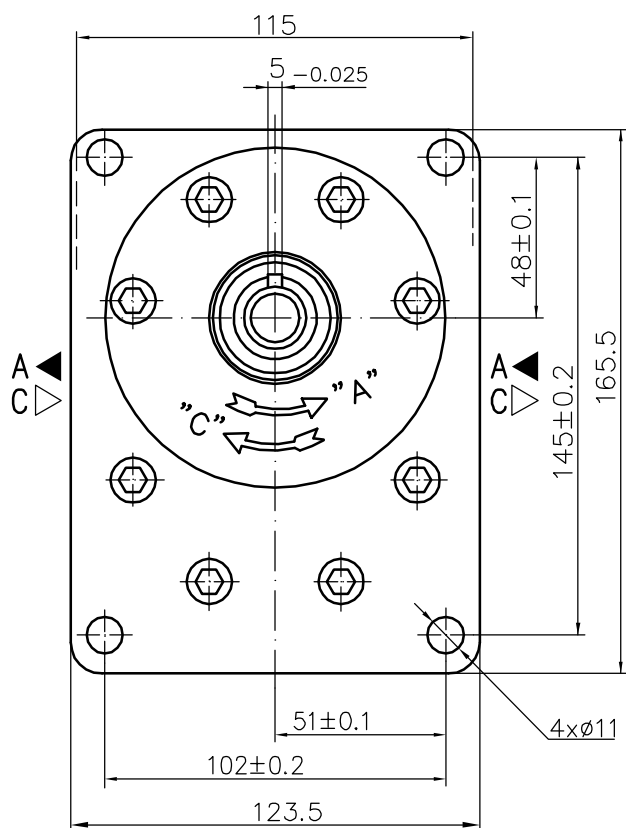
| Type | Displacement cm ³ /rev | Flow | | Pressure P _{nom} bar | max Speed n rpm | Dimension | | | | | | | |
|-----------------|--------------------------------------|----------------------|---------------------|-------------------------------------|-----------------------|-----------|---------|---------|---------|----|----|----|----|
| | | at 1500 rpm l/min | at max rpm l/min | | | Inlet | | | Outlet | | | | |
| | | A mm | B mm | E mm | d mm | F mm | E mm | d mm | F mm | | | | |
| 30A(C)20X325H | 20 | 28,2 | 56,4 | 250 | 3000 | 58,5 | 117,1 | 40 | M8 | 19 | 40 | M8 | 19 |
| 30A(C)22,2X325H | 22,5 | 31,7 | 63,5 | 250 | 3000 | 60,0 | 120,1 | | | | | | |
| 30A(C)25X325H | 25 | 35,3 | 70,5 | 250 | 3000 | 60,8 | 121,5 | | | | | | |
| 30A(C)28X325H | 28 | 39,5 | 79,0 | 250 | 3000 | 62,5 | 125,1 | | | | | | |
| 30A(C)32X325 | 32 | 45,1 | 75,2 | 250 | 2500 | 64,2 | 128,5 | | | | | | |
| 30A(C)32X325H | 32 | 45,1 | 90,2 | 250 | 3000 | 68,8 | 137,7 | 51 | M10 | 27 | 40 | M8 | 19 |
| 30A(C)36X325 | 36 | 50,8 | 84,6 | 250 | 2500 | 65,7 | 131,6 | | | | | | |
| 30A(C)36X325H | 36 | 51,3 | 95,8 | 250 | 2800 | 70,5 | 140,9 | | | | | | |
| 30A(C)42X325 | 42 | 59,9 | 91,8 | 230 | 2300 | 68,5 | 137,2 | | | | | | |
| 30A(C)42X325H | 42 | 59,9 | 99,8 | 230 | 2500 | 73,2 | 146,5 | | | | | | |
| 30A(C)46X325H | 46 | 65,6 | 100,5 | 230 | 2300 | 75,1 | 150,2 | | | | | | |
| 30A(C)50X325H | 50 | 71,3 | 99,8 | 200 | 2100 | 76,9 | 153,8 | | | | | | |
| 30A(C)55X325H | 55 | 78,4 | 91,4 | 200 | 1750 | 79,1 | 158,3 | | | | | | |
| 30A(C)60X325H | 60 | 85,5 | 99,8 | 180 | 1750 | 81,4 | 162,8 | | | | | | |

Designed as a middle section of multiple gear pumps group 332.



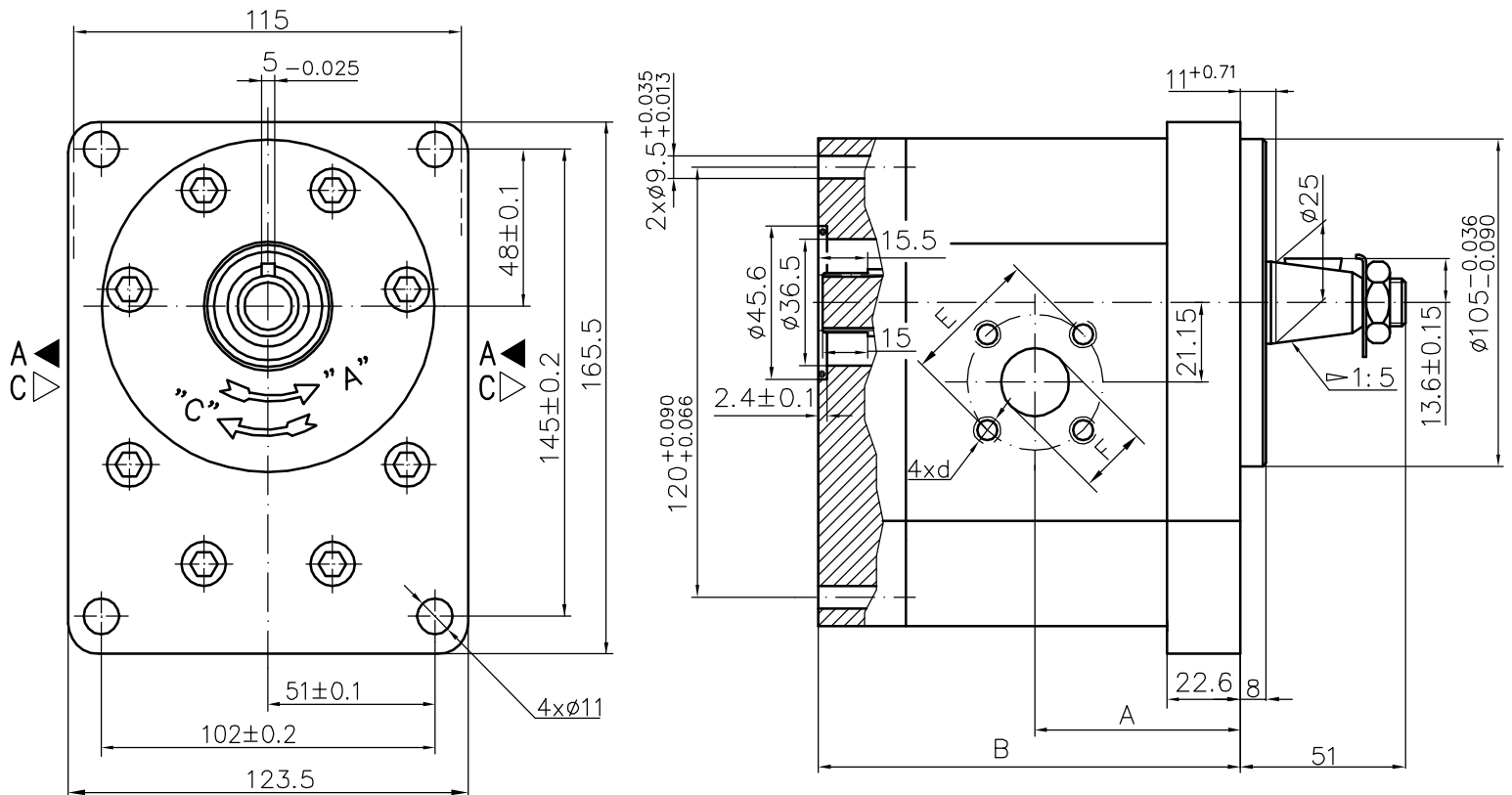
GEAR PUMP TYPE PGP 30A(C)...X337H

| Type | Displacement cm ³ /rev | Flow | | Pressure P _{nom} bar | max Speed n rpm | Dimension | | | | | | | |
|-----------------|--------------------------------------|----------------------|---------------------|-------------------------------------|-----------------------|-----------|---------|---------|---------|---------|---------|---------|---------|
| | | at 1500 rpm l/min | at max rpm l/min | | | Inlet | | Outlet | | | | | |
| | | | | | | A mm | B mm | E mm | d mm | F mm | E mm | d mm | F mm |
| 30A(C)20X337H | 20 | 28,2 | 56,4 | 250 | 3000 | 56,1 | 116,7 | 40 | M8 | 19 | 40 | M8 | 19 |
| 30A(C)22,2X337H | 22,5 | 31,7 | 63,5 | 250 | 3000 | 57,6 | 119,7 | | | | | | |
| 30A(C)25X337H | 25 | 35,3 | 70,5 | 250 | 3000 | 58,3 | 121,1 | | | | | | |
| 30A(C)28X337H | 28 | 39,5 | 79,0 | 250 | 3000 | 60,2 | 124,7 | | | | | | |
| 30A(C)32X337 | 32 | 45,1 | 75,2 | 250 | 2500 | 62,0 | 128,3 | 55 | M8 | 27 | 55 | M8 | 19 |
| 30A(C)32X337H | 32 | 45,1 | 90,2 | 250 | 3000 | 66,5 | 137,3 | | | | | | |
| 30A(C)36X337 | 36 | 50,8 | 84,6 | 250 | 2500 | 63,5 | 131,4 | | | | | | |
| 30A(C)36X337H | 36 | 51,3 | 95,8 | 250 | 2800 | 68,0 | 140,5 | | | | | | |
| 30A(C)42X337 | 42 | 59,9 | 91,8 | 230 | 2300 | 66,3 | 137,0 | 55 | M8 | 27 | 55 | M8 | 19 |
| 30A(C)42X337H | 42 | 59,9 | 99,8 | 230 | 2500 | 70,8 | 146,1 | | | | | | |
| 30A(C)46X337H | 46 | 65,6 | 100,5 | 230 | 2300 | 72,7 | 149,8 | | | | | | |
| 30A(C)50X337H | 50 | 71,3 | 99,8 | 200 | 2100 | 74,5 | 153,4 | | | | | | |
| 30A(C)55X337H | 55 | 78,4 | 91,4 | 200 | 1750 | 76,7 | 157,9 | 55 | M8 | 27 | 55 | M8 | 19 |
| 30A(C)60X337H | 60 | 85,5 | 99,8 | 180 | 1750 | 78,7 | 162,4 | | | | | | |



| Type | Displacement cm ³ /rev | Flow | | Pressure P _{nom} bar | max Speed n rpm | Dimension | | | | | | | |
|-----------------|--------------------------------------|----------------------|---------------------|-------------------------------------|-----------------------|-----------|-------|----|--------|----|----|----|----|
| | | at 1500 rpm l/min | at max rpm l/min | | | Inlet | | | Outlet | | | | |
| | | A | B | E | d | F | E | d | F | | | | |
| 30A(C)20X338H | 20 | 28,2 | 56,4 | 250 | 3000 | 56,1 | 114,7 | 40 | M8 | 19 | 40 | M8 | 19 |
| 30A(C)22,2X338H | 22,5 | 31,7 | 63,5 | 250 | 3000 | 57,6 | 117,7 | | | | | | |
| 30A(C)25X338H | 25 | 35,3 | 70,5 | 250 | 3000 | 58,3 | 119,1 | | | | | | |
| 30A(C)28X338H | 28 | 39,5 | 79,0 | 250 | 3000 | 60,2 | 122,7 | | | | | | |
| 30A(C)32X338 | 32 | 45,1 | 75,2 | 250 | 2500 | 62,0 | 126,3 | 55 | M8 | 27 | 55 | M8 | 19 |
| 30A(C)32X338H | 32 | 45,1 | 90,2 | 250 | 3000 | 66,5 | 135,3 | | | | | | |
| 30A(C)36X338 | 36 | 50,8 | 84,6 | 250 | 2500 | 63,5 | 129,4 | | | | | | |
| 30A(C)36X338H | 36 | 51,3 | 95,8 | 250 | 2800 | 68,0 | 138,5 | | | | | | |
| 30A(C)42X338 | 42 | 59,9 | 91,8 | 230 | 2300 | 66,3 | 135,0 | 55 | M8 | 27 | 55 | M8 | 19 |
| 30A(C)42X338H | 42 | 59,9 | 99,8 | 230 | 2500 | 70,8 | 144,0 | | | | | | |
| 30A(C)46X338H | 46 | 65,6 | 100,5 | 230 | 2300 | 72,7 | 147,8 | | | | | | |
| 30A(C)50X338H | 50 | 71,3 | 99,8 | 200 | 2100 | 74,5 | 151,4 | | | | | | |
| 30A(C)55X338H | 55 | 78,4 | 91,4 | 200 | 1750 | 76,7 | 155,9 | 55 | M8 | 27 | 55 | M8 | 19 |
| 30A(C)60X338H | 60 | 85,5 | 99,8 | 180 | 1750 | 78,7 | 160,4 | | | | | | |

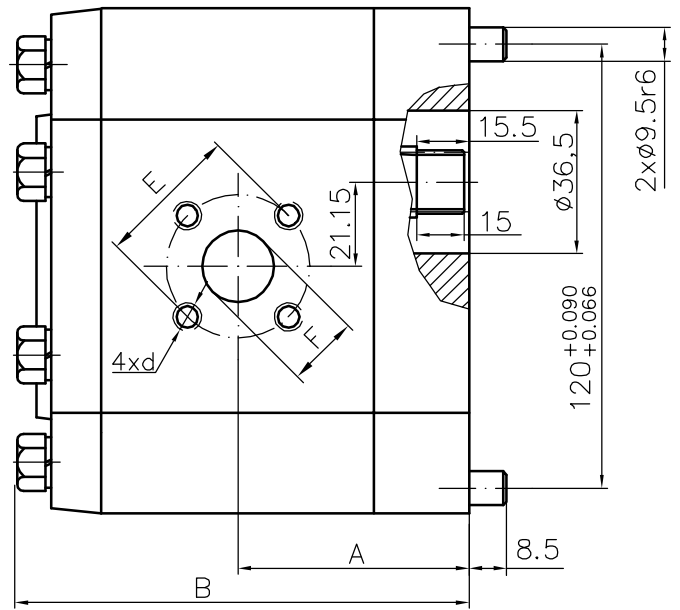
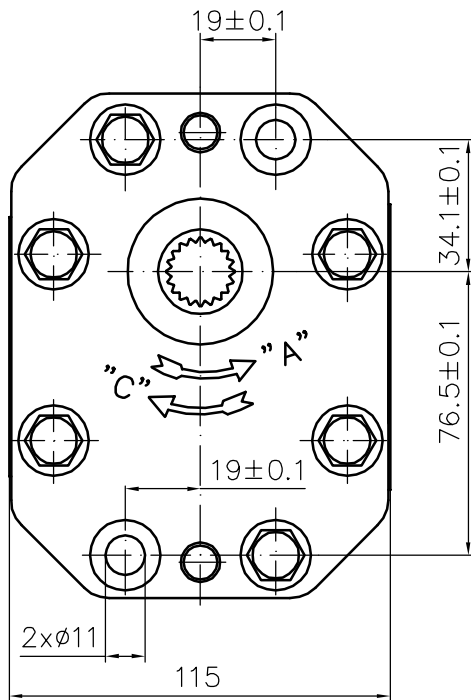
Designed as a first section of multiple pumps group 33.



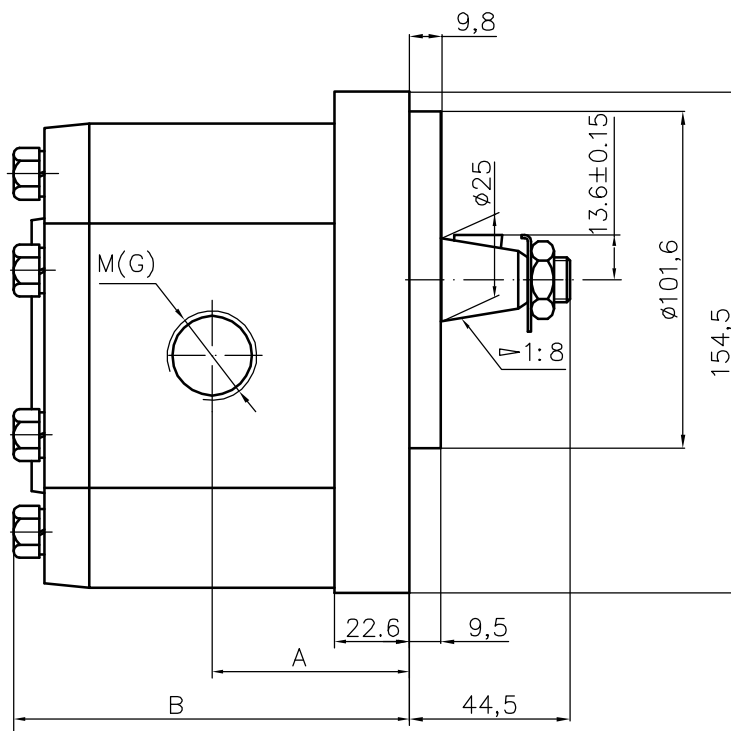
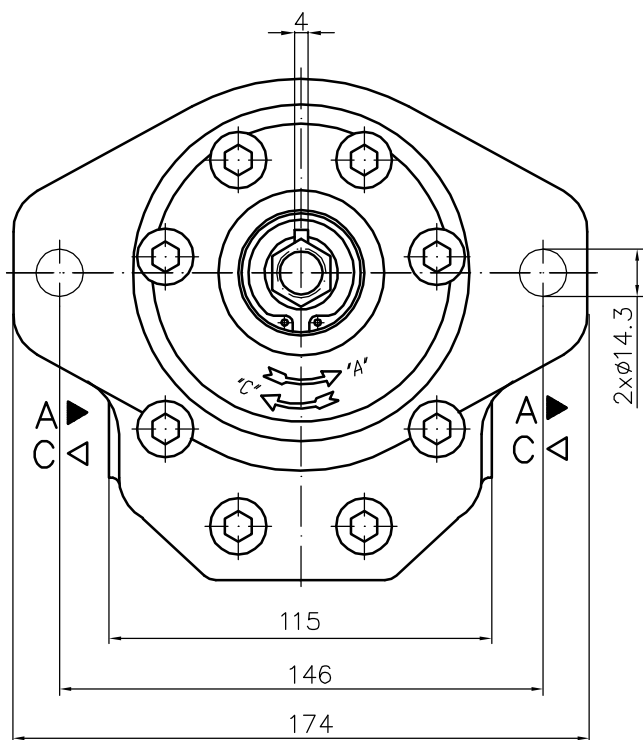
GEAR PUMP TYPE PGP 30A(C)...X339H

| Type | Displacement cm ³ /rev | Flow | | Pressure P _{nom} bar | max Speed n rpm | Dimension | | | | | | | |
|-----------------|--------------------------------------|----------------------|---------------------|-------------------------------------|-----------------------|-----------|---------|---------|---------|---------|---------|----|----|
| | | at 1500 rpm l/min | at max rpm l/min | | | Inlet | | Outlet | | | | | |
| | | A mm | B mm | | | E mm | d mm | F mm | E mm | d mm | F mm | | |
| 30A(C)20X339H | 20 | 28,2 | 56,4 | 250 | 3000 | 58,5 | 118,9 | 40 | M8 | 19 | 40 | M8 | 19 |
| 30A(C)22,2X339H | 22,5 | 31,7 | 63,5 | 250 | 3000 | 60,0 | 121,9 | | | | | | |
| 30A(C)25X339H | 25 | 35,3 | 70,5 | 250 | 3000 | 60,8 | 123,3 | | | | | | |
| 30A(C)28X339H | 28 | 39,5 | 79,0 | 250 | 3000 | 62,5 | 126,9 | 55 | M8 | 27 | 55 | M8 | 19 |
| 30A(C)32X339 | 32 | 45,1 | 75,2 | 250 | 2500 | 64,2 | 130,5 | | | | | | |
| 30A(C)32X339H | 32 | 45,1 | 90,2 | 250 | 3000 | 68,8 | 139,5 | | | | | | |
| 30A(C)36X339 | 36 | 50,8 | 84,6 | 250 | 2500 | 65,7 | 133,6 | 55 | M8 | 27 | 55 | M8 | 19 |
| 30A(C)36X339H | 36 | 51,3 | 95,8 | 250 | 2800 | 70,5 | 142,7 | | | | | | |
| 30A(C)42X339 | 42 | 59,9 | 91,8 | 230 | 2300 | 68,5 | 139,2 | | | | | | |
| 30A(C)42X339H | 42 | 59,9 | 99,8 | 230 | 2500 | 73,2 | 148,3 | 55 | M8 | 27 | 55 | M8 | 19 |
| 30A(C)46X339H | 46 | 65,6 | 100,5 | 230 | 2300 | 75,1 | 152,0 | | | | | | |
| 30A(C)50X339H | 50 | 71,3 | 99,8 | 200 | 2100 | 76,9 | 155,6 | | | | | | |
| 30A(C)55X339H | 55 | 78,4 | 91,4 | 200 | 1750 | 79,1 | 160,1 | 55 | M8 | 27 | 55 | M8 | 19 |
| 30A(C)60X339H | 60 | 85,5 | 99,8 | 180 | 1750 | 81,4 | 164,6 | | | | | | |

Designed as a second section of multiple gear pumps group 33.

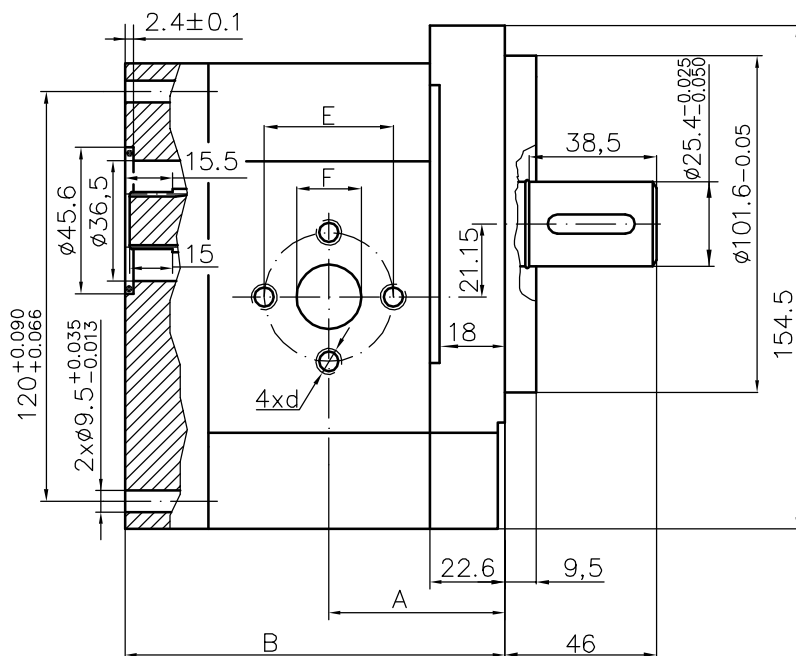
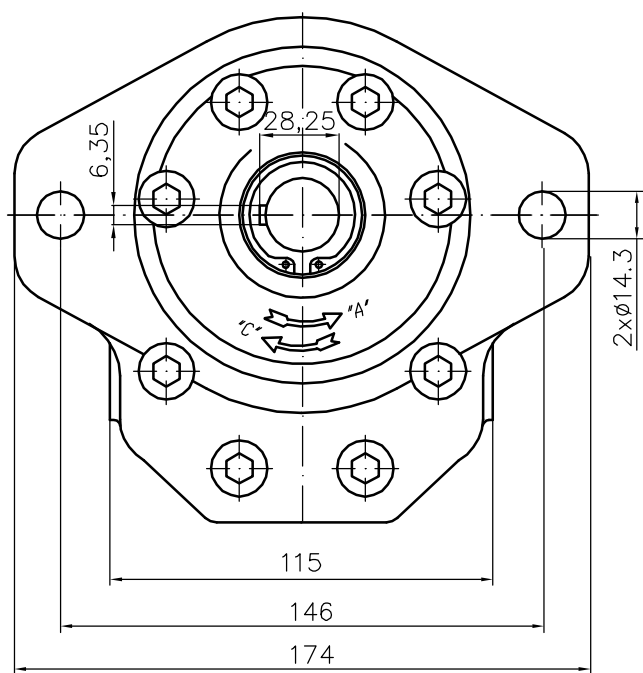


| Type | Displacement cm ³ /rev | Flow | | Pressure P _{nom} bar | max Speed n rpm | Dimension | | | | | | |
|-----------------|--------------------------------------|----------------------|---------------------|-------------------------------------|-----------------------|-----------|---------|---------|---------|--|---------|---------|
| | | at 1500 rpm l/min | at max rpm l/min | | | Inlet | | Outlet | | | | |
| | | | | | | A mm | B mm | M | G | | M | G |
| 30A(C)20X344H | 20 | 28,2 | 56,4 | 250 | 3000 | 56,1 | 116,7 | M27x1,5 | G3/4"-A | | M27x1,5 | G3/4"-A |
| 30A(C)22,2X344H | 22,5 | 31,7 | 63,5 | 250 | 3000 | 57,6 | 119,7 | | | | | |
| 30A(C)25X344H | 25 | 35,3 | 70,5 | 250 | 3000 | 58,3 | 121,1 | | | | | |
| 30A(C)28X344H | 28 | 39,5 | 79,0 | 250 | 3000 | 60,2 | 124,7 | | | | | |
| 30A(C)32X344 | 32 | 45,1 | 75,2 | 250 | 2500 | 62,0 | 128,3 | | | | | |
| 30A(C)32X344H | 32 | 45,1 | 90,2 | 250 | 3000 | 66,5 | 137,3 | M33x1,5 | G1"-A | | M27x1,5 | G3/4"-A |
| 30A(C)36X344 | 36 | 50,8 | 84,6 | 250 | 2500 | 63,5 | 131,4 | | | | | |
| 30A(C)36X344H | 36 | 51,3 | 95,8 | 250 | 2800 | 68,0 | 140,5 | | | | | |
| 30A(C)42X344 | 42 | 59,9 | 91,8 | 230 | 2300 | 66,3 | 137,0 | | | | | |
| 30A(C)42X344H | 42 | 59,9 | 99,8 | 230 | 2500 | 70,8 | 146,1 | | | | | |
| 30A(C)46X344H | 46 | 65,6 | 100,5 | 230 | 2300 | 72,7 | 149,8 | | | | | |
| 30A(C)50X344H | 50 | 71,3 | 99,8 | 200 | 2100 | 74,5 | 153,4 | | | | | |
| 30A(C)55X344H | 55 | 78,4 | 91,4 | 200 | 1750 | 76,7 | 157,9 | | | | | |
| 30A(C)60X344H | 60 | 85,5 | 99,8 | 180 | 1750 | 78,7 | 162,4 | | | | | |

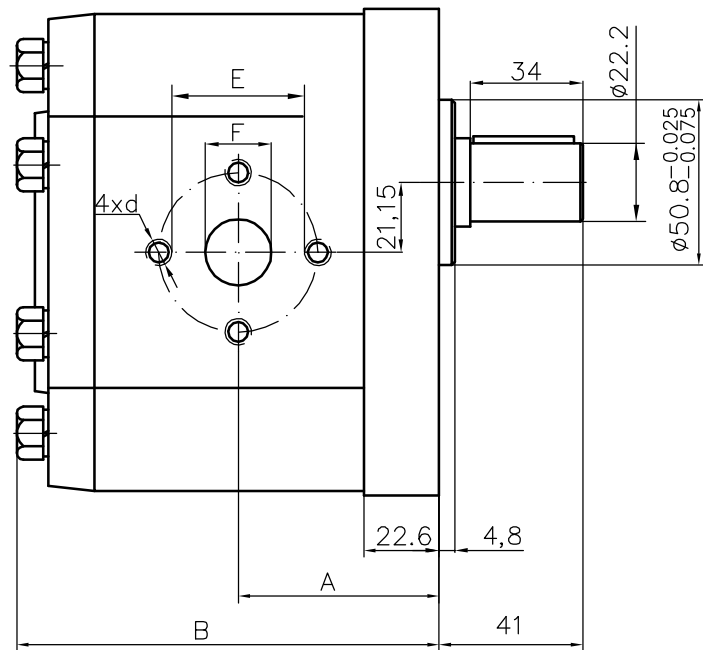
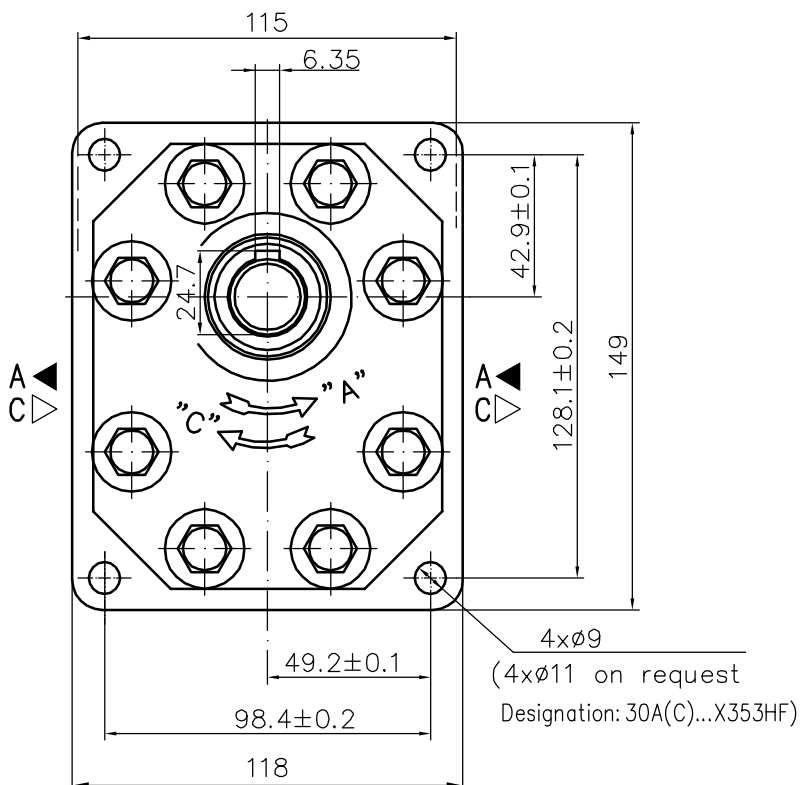


| Type | Displacement cm ³ /rev | Flow | | Pressure P _{nom} bar | max Speed n rpm | Dimension | | | | | | | |
|-----------------|--------------------------------------|----------------------|---------------------|-------------------------------------|-----------------------|-----------|-------|--------|-----|---------|---------|---------|---------|
| | | at 1500 rpm l/min | at max rpm l/min | | | Inlet | | Outlet | | A mm | B mm | E mm | d mm |
| 30A(C)20X345H | 20 | 28,2 | 56,4 | 250 | 3000 | 56,1 | 116,7 | 40 | M8 | 19 | 40 | M8 | 19 |
| 30A(C)22,2X345H | 22,5 | 31,7 | 63,5 | 250 | 3000 | 57,6 | 119,7 | | | | | | |
| 30A(C)25X345H | 25 | 35,3 | 70,5 | 250 | 3000 | 58,3 | 121,1 | | | | | | |
| 30A(C)28X345H | 28 | 39,5 | 79,0 | 250 | 3000 | 60,2 | 124,7 | | | | | | |
| 30A(C)32X345 | 32 | 45,1 | 75,2 | 250 | 2500 | 62,0 | 128,3 | | | | | | |
| 30A(C)32X345H | 32 | 45,1 | 90,2 | 250 | 3000 | 66,5 | 137,3 | 51 | M10 | 27 | 40 | M8 | 19 |
| 30A(C)36X345 | 36 | 50,8 | 84,6 | 250 | 2500 | 63,5 | 131,4 | | | | | | |
| 30A(C)36X345H | 36 | 51,3 | 95,8 | 250 | 2800 | 68,0 | 140,5 | | | | | | |
| 30A(C)42X345 | 42 | 59,9 | 91,8 | 230 | 2300 | 66,3 | 137,0 | | | | | | |
| 30A(C)42X345H | 42 | 59,9 | 99,8 | 230 | 2500 | 70,8 | 146,1 | | | | | | |
| 30A(C)46X345H | 46 | 65,6 | 100,5 | 230 | 2300 | 72,7 | 149,8 | | | | | | |
| 30A(C)50X345H | 50 | 71,3 | 99,8 | 200 | 2100 | 74,5 | 153,4 | | | | | | |
| 30A(C)55X345H | 55 | 78,4 | 91,4 | 200 | 1750 | 76,7 | 157,9 | | | | | | |
| 30A(C)60X345H | 60 | 85,5 | 99,8 | 180 | 1750 | 78,7 | 162,4 | | | | | | |

Designed as a first section of multiple gear pumps group 33.

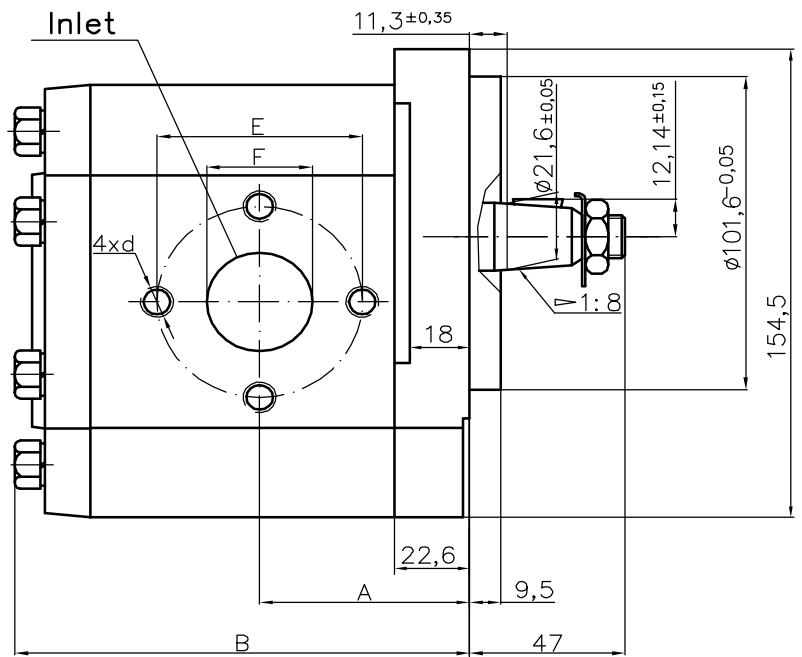
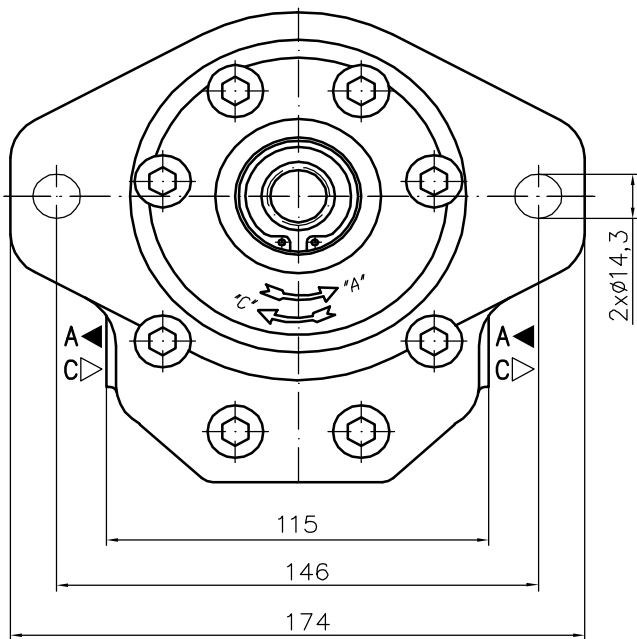


| Type | Displacement cm ³ /rev | Flow | | Pressure P _{nom} bar | max Speed n rpm | Dimension | | | | | | | |
|-----------------|--------------------------------------|----------------------|---------------------|-------------------------------------|-----------------------|-----------|---------|---------|---------|----|----|----|----|
| | | at 1500 rpm l/min | at max rpm l/min | | | Inlet | | | Outlet | | | | |
| | | A mm | B mm | E mm | d mm | F mm | E mm | d mm | F mm | | | | |
| 30A(C)20X353H | 20 | 28,2 | 56,4 | 250 | 3000 | 56,1 | 116,7 | 40 | M8 | 19 | 40 | M8 | 19 |
| 30A(C)22,2X353H | 22,5 | 31,7 | 63,5 | 250 | 3000 | 57,6 | 119,7 | | | | | | |
| 30A(C)25X353H | 25 | 35,3 | 70,5 | 250 | 3000 | 58,3 | 121,1 | | | | | | |
| 30A(C)28X353H | 28 | 39,5 | 79,0 | 250 | 3000 | 60,2 | 124,7 | | | | | | |
| 30A(C)32X353 | 32 | 45,1 | 75,2 | 250 | 2500 | 62,0 | 128,3 | | | | | | |
| 30A(C)32X353H | 32 | 45,1 | 90,2 | 250 | 3000 | 66,5 | 137,3 | 51 | M10 | 27 | 40 | M8 | 19 |
| 30A(C)36X353 | 36 | 50,8 | 84,6 | 250 | 2500 | 63,5 | 131,4 | | | | | | |
| 30A(C)36X353H | 36 | 51,3 | 95,8 | 250 | 2800 | 68,0 | 140,5 | | | | | | |
| 30A(C)42X353 | 42 | 59,9 | 91,8 | 230 | 2300 | 66,3 | 137,0 | | | | | | |
| 30A(C)42X353H | 42 | 59,9 | 99,8 | 230 | 2500 | 70,8 | 146,1 | | | | | | |
| 30A(C)46X353H | 46 | 65,6 | 100,5 | 230 | 2300 | 72,7 | 149,8 | | | | | | |
| 30A(C)50X353H | 50 | 71,3 | 99,8 | 200 | 2100 | 74,5 | 153,4 | | | | | | |
| 30A(C)55X353H | 55 | 78,4 | 91,4 | 200 | 1750 | 76,7 | 157,9 | | | | | | |
| 30A(C)60X353H | 60 | 85,5 | 99,8 | 180 | 1750 | 78,7 | 162,4 | | | | | | |

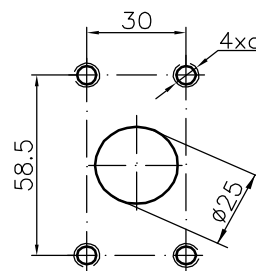


GEAR PUMP TYPE PGP 30A(C)...X356H

| Type | Displacement cm ³ /rev | Flow | | Pressure P _{nom} bar | max Speed n rpm | Dimension | | | | | | | | | | |
|-----------------|--------------------------------------|----------------------|---------------------|-------------------------------------|-----------------------|-----------|---------|-------|---|----|--|--------|---|----|----|--|
| | | at 1500 rpm l/min | at max rpm l/min | | | A mm | B mm | Inlet | | | | Outlet | | | | |
| | | | | | | | | E | d | F1 | | F2 | d | H2 | L2 | |
| 30A(C)20X356H | 20 | 28,2 | 56,4 | 250 | 3000 | 56,1 | 116,7 | | | | | | | | | |
| 30A(C)22,2X356H | 22,5 | 31,7 | 63,5 | 250 | 3000 | 57,6 | 119,7 | | | | | | | | | |
| 30A(C)25X356H | 25 | 35,3 | 70,5 | 250 | 3000 | 58,3 | 121,1 | | | | | | | | | |
| 30A(C)28X356H | 28 | 39,5 | 79,0 | 250 | 3000 | 60,2 | 124,7 | | | | | | | | | |
| 30A(C)32X356 | 32 | 45,1 | 75,2 | 250 | 2500 | 62,0 | 128,3 | | | | | | | | | |
| 30A(C)32X356H | 32 | 45,1 | 90,2 | 250 | 3000 | 66,5 | 137,3 | | | | | | | | | |
| 30A(C)36X356 | 36 | 50,8 | 84,6 | 250 | 2500 | 63,5 | 131,4 | | | | | 25 | | | | |
| 30A(C)36X356H | 36 | 51,3 | 95,8 | 250 | 2800 | 68,0 | 140,5 | | | | | | | | | |
| 30A(C)42X356 | 42 | 59,9 | 91,8 | 230 | 2300 | 66,3 | 137,0 | | | | | | | | | |
| 30A(C)42X356H | 42 | 59,9 | 99,8 | 230 | 2500 | 70,8 | 146,1 | 62 | | | | | | | | |
| 30A(C)46X356H | 46 | 65,6 | 100,5 | 230 | 2300 | 72,7 | 149,8 | | | | | | | | | |
| 30A(C)50X356H | 50 | 71,3 | 99,8 | 200 | 2100 | 74,5 | 153,4 | | | | | | | | | |
| 30A(C)55X356H | 55 | 78,4 | 91,4 | 200 | 1750 | 76,7 | 157,9 | | | | | | | | | |
| 30A(C)60X356H | 60 | 85,5 | 99,8 | 180 | 1750 | 78,7 | 162,4 | | | | | | | | | |

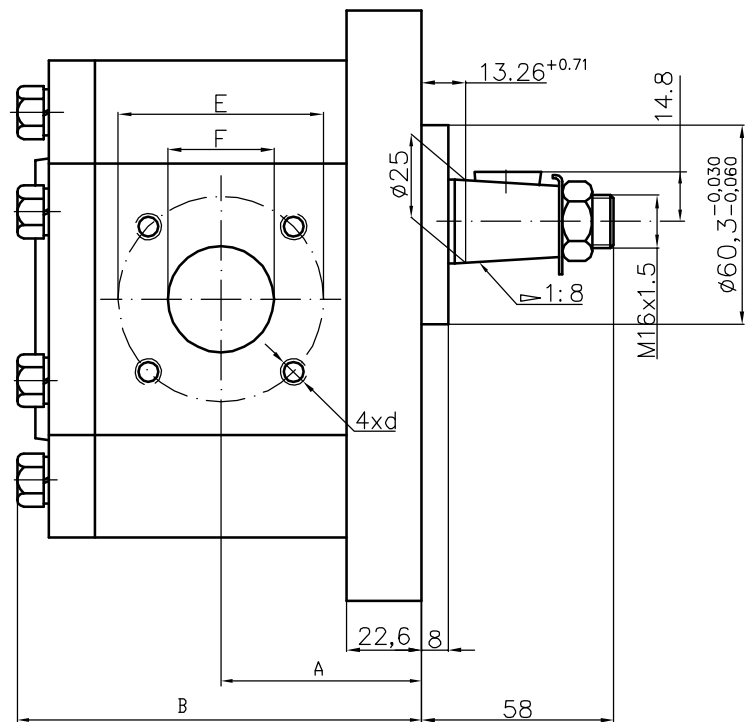
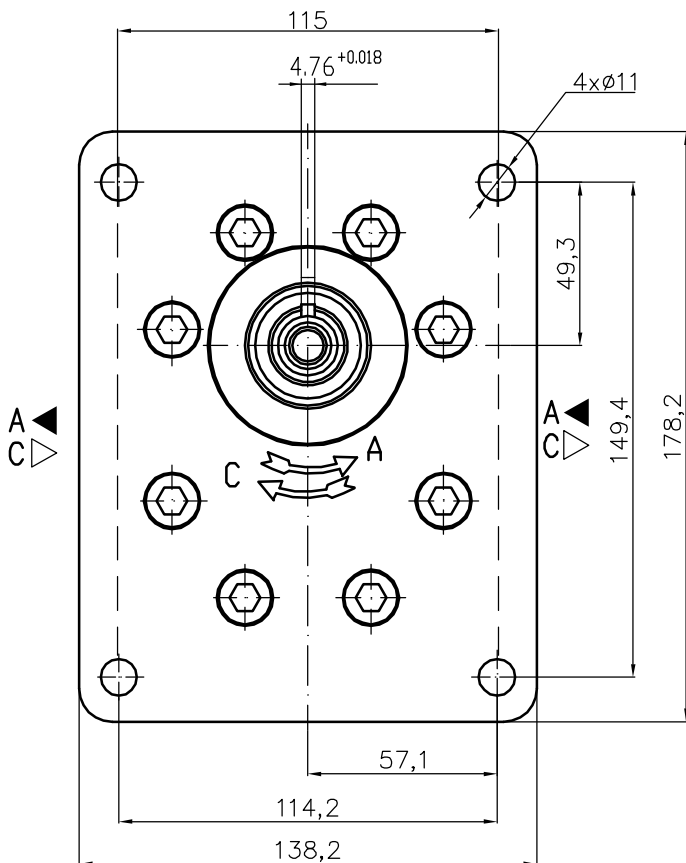


Outlet



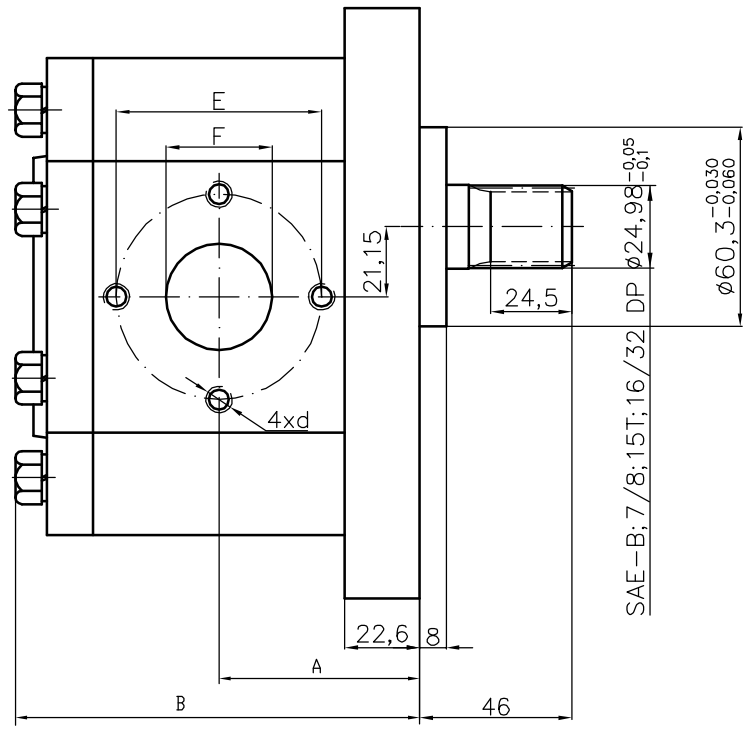
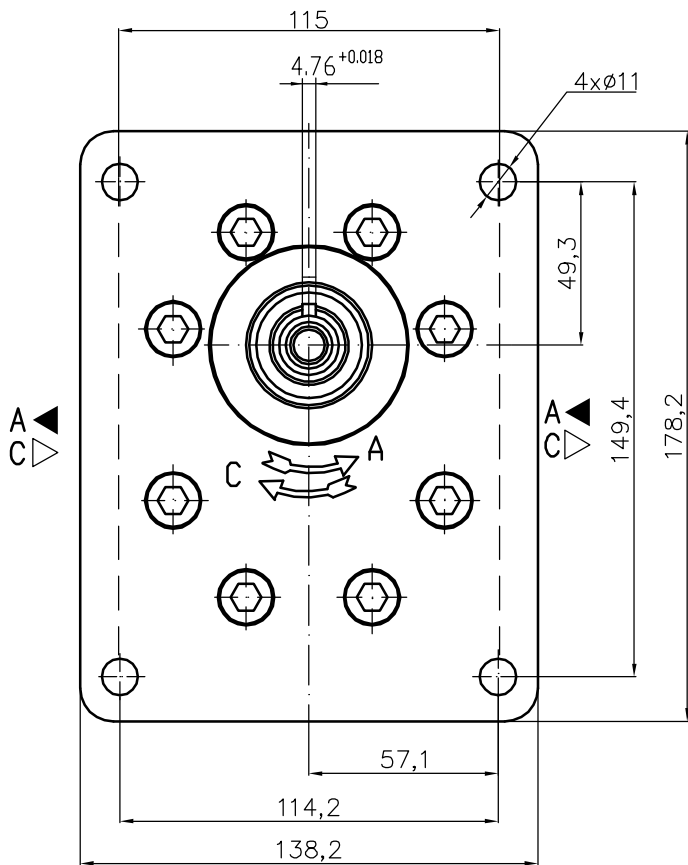
GEAR PUMP TYPE PGP 40A(C)...X372H

| Type | Displacement cm ³ /rev | Flow | | Pressure P _{nom} bar | max Speed n rpm | Dimension | | | | | | | | |
|---------------|--------------------------------------|----------------------|---------------------|-------------------------------------|-----------------------|-----------|---------|---------|---------------|---------|---------|---------------|----|--|
| | | at 1500 rpm l/min | at max rpm l/min | | | Inlet | | Outlet | | | | | | |
| | | A mm | B mm | | | E mm | d mm | F mm | E mm | d mm | F mm | | | |
| 40A(C)36X372H | 36 | 51,3 | 95,8 | 250 | 2800 | 68,0 | 140,5 | 62 | 3/8"-16UNC-2B | 32 | 51 | 3/8"-16UNC-2B | 27 | |
| 40A(C)42X372H | 42 | 59,9 | 99,8 | 230 | 2500 | 70,8 | 146,1 | | | | | | | |
| 40A(C)46X372H | 46 | 65,6 | 100,5 | 230 | 2300 | 72,7 | 149,8 | | | | | | | |
| 40A(C)50X372H | 50 | 71,3 | 99,8 | 200 | 2100 | 74,5 | 153,4 | | | | | | | |
| 40A(C)55X372H | 55 | 78,4 | 91,4 | 200 | 1750 | 76,7 | 159,7 | | | | | | | |
| 40A(C)60X372H | 60 | 85,5 | 99,8 | 180 | 1750 | 78,7 | 164,5 | | | | | | | |



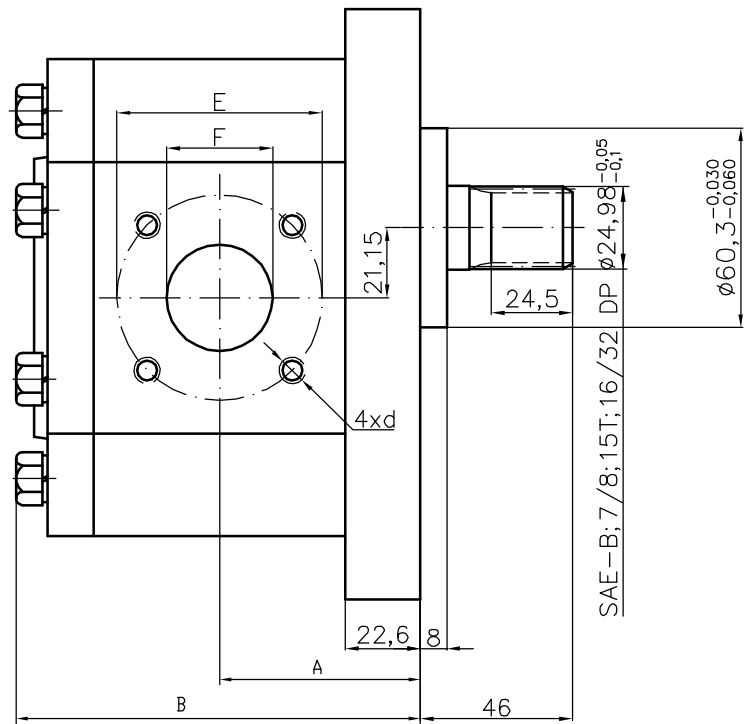
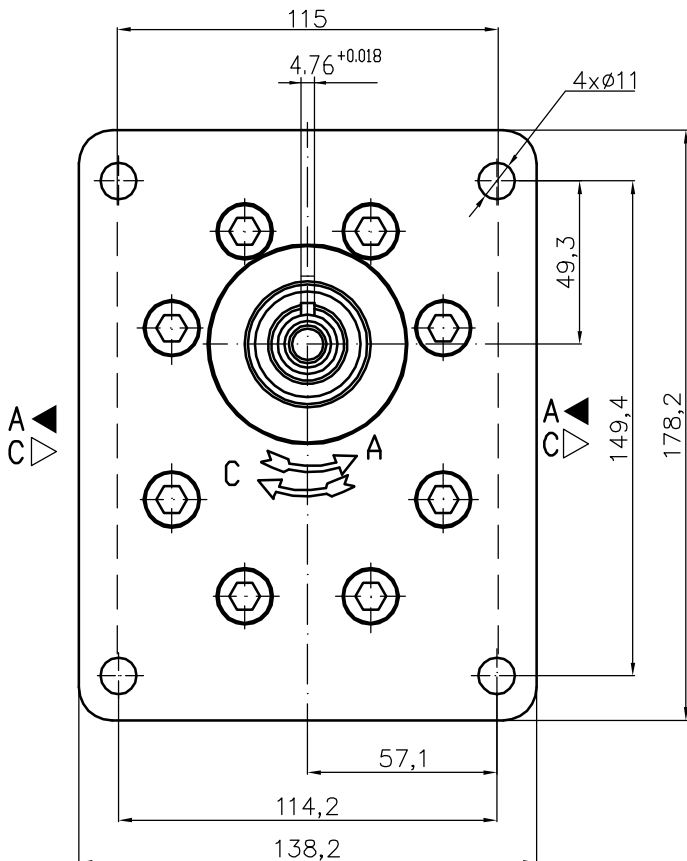
GEAR PUMP TYPE PGP 40A(C)...X373H

| Type | Displacement cm ³ /rev | Flow | | Pressure P _{nom} bar | max Speed n rpm | Dimension | | | | | | | |
|---------------|--------------------------------------|----------------------|---------------------|-------------------------------------|-----------------------|-----------|-------|----|---------------|----|----|---------------|----|
| | | at 1500 rpm l/min | at max rpm l/min | | | Inlet | | | Outlet | | | | |
| | | A | B | | | E | d | F | E | d | F | | |
| 40A(C)36X373H | 36 | 51,3 | 95,8 | 250 | 2800 | 68,0 | 140,5 | 62 | 3/8"-16UNC-2B | 32 | 51 | 3/8"-16UNC-2B | 27 |
| 40A(C)42X373H | 42 | 59,9 | 99,8 | 230 | 2500 | 70,8 | 146,1 | | | | | | |
| 40A(C)46X373H | 46 | 65,6 | 100,5 | 230 | 2300 | 72,7 | 149,8 | | | | | | |
| 40A(C)50X373H | 50 | 71,3 | 99,8 | 200 | 2100 | 74,5 | 153,4 | | | | | | |
| 40A(C)55X373H | 55 | 78,4 | 91,4 | 200 | 1750 | 76,7 | 159,7 | | | | | | |
| 40A(C)60X373H | 60 | 85,5 | 99,8 | 180 | 1750 | 78,7 | 164,5 | | | | | | |



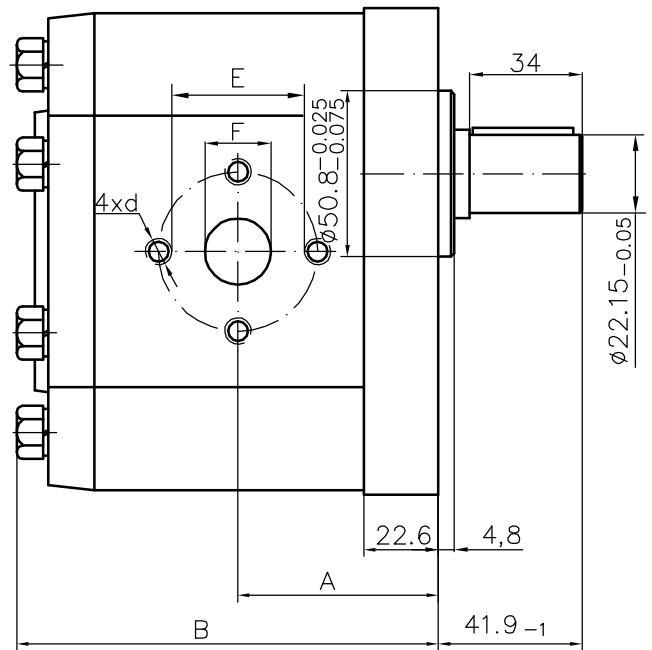
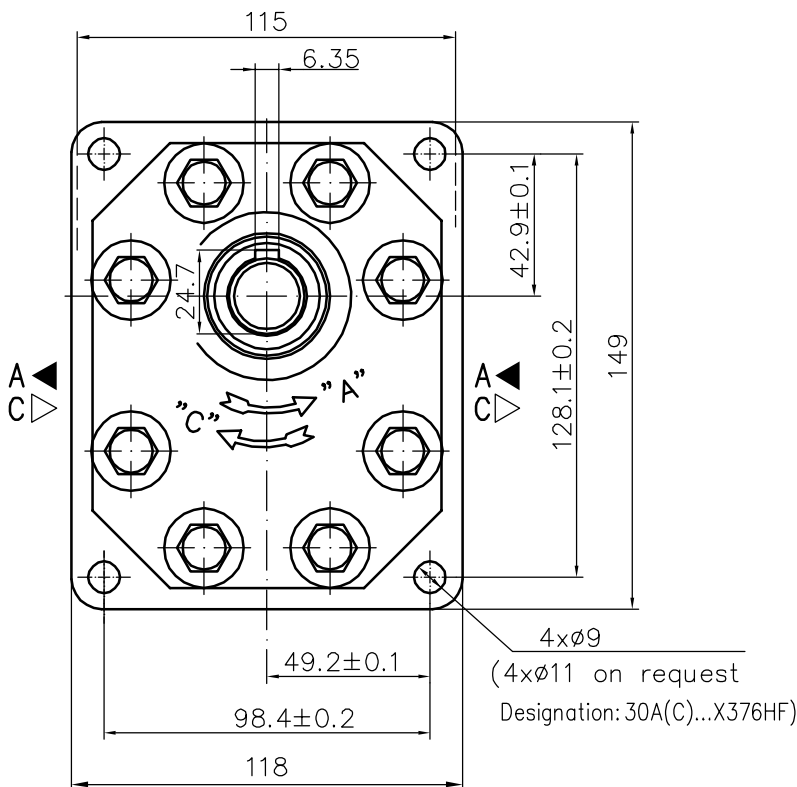
GEAR PUMP TYPE PGP 40A(C)...X374H

| Type | Displacement cm ³ /rev | Flow | | Pressure P _{nom} bar | max Speed n rpm | Dimension | | | | | | | |
|---------------|--------------------------------------|----------------------|---------------------|-------------------------------------|-----------------------|-----------|---------|--------|---------------|----|----|---------------|----|
| | | at 1500 rpm l/min | at max rpm l/min | | | Inlet | | Outlet | | | | | |
| | | | | | | A mm | B mm | E | d | F | E | d | F |
| 40A(C)36X374H | 36 | 51,3 | 95,8 | 250 | 2800 | 68,0 | 140,5 | 62 | 3/8"-16UNC-2B | 32 | 51 | 3/8"-16UNC-2B | 27 |
| 40A(C)42X374H | 42 | 59,9 | 99,8 | 230 | 2500 | 70,8 | 146,1 | | | | | | |
| 40A(C)46X374H | 46 | 65,6 | 100,5 | 230 | 2300 | 72,7 | 149,8 | | | | | | |
| 40A(C)50X374H | 50 | 71,3 | 99,8 | 200 | 2100 | 74,5 | 153,4 | | | | | | |
| 40A(C)55X374H | 55 | 78,4 | 91,4 | 200 | 1750 | 76,7 | 159,7 | | | | | | |
| 40A(C)60X374H | 60 | 85,5 | 99,8 | 180 | 1750 | 78,7 | 164,5 | | | | | | |



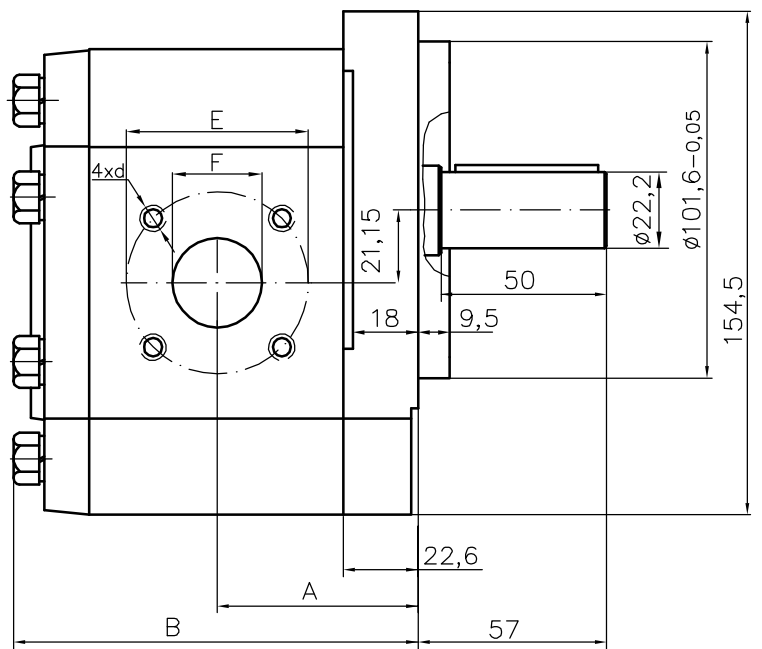
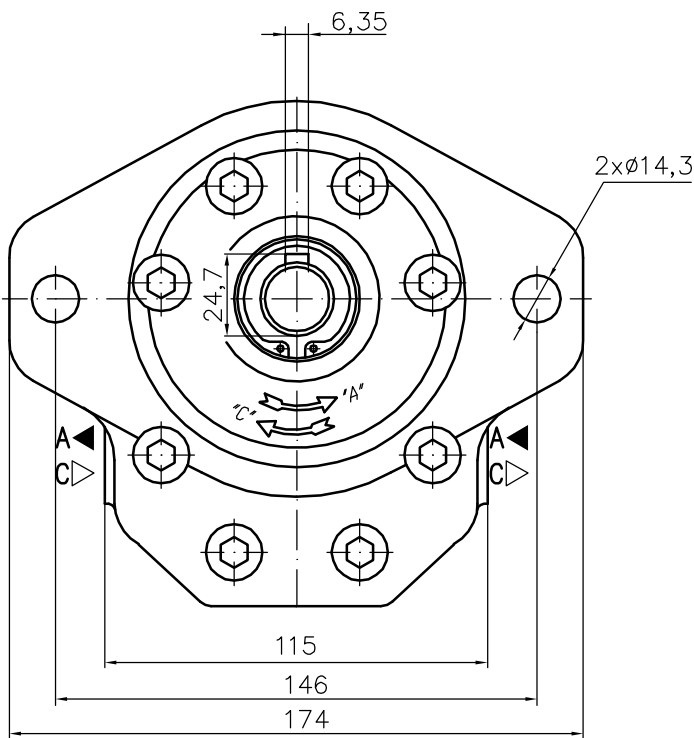
GEAR PUMP TYPE PGP 30A(C)...X376H

| Type | Displacement cm ³ /rev | Flow | | Pressure P _{nom} bar | max Speed n rpm | Dimension | | | | | | | |
|-----------------|--------------------------------------|----------------------|---------------------|-------------------------------------|-----------------------|-----------|---------|--------|---------------|----|-------|---------------|----|
| | | at 1500 rpm l/min | at max rpm l/min | | | Inlet | | Outlet | | | | | |
| | | | | | | A mm | B mm | E | d | F | E | d | F |
| 30A(C)20X376H | 20 | 28,2 | 56,4 | 250 | 3000 | 56,1 | 116,7 | 48,12 | 5/16-18UNC-2B | 22 | 48,12 | 5/16-18UNC-2B | 20 |
| 30A(C)22,2X376H | 22,5 | 31,7 | 63,5 | 250 | 3000 | 57,6 | 119,7 | | | | | | |
| 30A(C)25X376H | 25 | 35,3 | 70,5 | 250 | 3000 | 58,3 | 121,1 | | | | | | |
| 30A(C)28X376H | 28 | 39,5 | 79,0 | 250 | 3000 | 60,2 | 124,7 | | | | | | |
| 30A(C)32X376 | 32 | 45,1 | 75,2 | 250 | 2500 | 62,0 | 128,3 | | | | | | |
| 30A(C)32X376H | 32 | 45,1 | 90,2 | 250 | 3000 | 66,5 | 137,3 | | | | | | |
| 30A(C)36X376 | 36 | 50,8 | 84,6 | 250 | 2500 | 63,5 | 131,4 | | | | | | |
| 30A(C)36X376H | 36 | 51,3 | 95,8 | 250 | 2800 | 68,0 | 140,5 | | | | | | |
| 30A(C)42X376 | 42 | 59,9 | 91,8 | 230 | 2300 | 66,3 | 137,0 | | | | | | |
| 30A(C)42X376H | 42 | 59,9 | 99,8 | 230 | 2500 | 70,8 | 146,1 | | | | | | |
| 30A(C)46X376H | 46 | 65,6 | 100,5 | 230 | 2300 | 72,7 | 149,8 | | | | | | |
| 30A(C)50X376H | 50 | 71,3 | 99,8 | 200 | 2100 | 74,5 | 153,4 | | | | | | |
| 30A(C)55X376H | 55 | 78,4 | 91,4 | 200 | 1750 | 76,7 | 157,9 | | | | | | |
| 30A(C)60X376H | 60 | 85,5 | 99,8 | 180 | 1750 | 78,7 | 162,4 | | | | | | |



GEAR PUMP TYPE PGP 30A(C)...X379H

| Type | Displacement cm ³ /rev | Flow | | Pressure P _{nom} bar | max Speed n rpm | Dimension | | | | | | | |
|-----------------|--------------------------------------|----------------------|---------------------|-------------------------------------|-----------------------|-----------|---------|--------|----|----|----|----|----|
| | | at 1500 rpm l/min | at max rpm l/min | | | Inlet | | Outlet | | | | | |
| | | | | | | A mm | B mm | E | d | F | E | d | F |
| 30A(C)20X379H | 20 | 28,2 | 56,4 | 250 | 3000 | 56,1 | 114,7 | 40 | M8 | 19 | 40 | M8 | 19 |
| 30A(C)22,2X379H | 22,5 | 31,7 | 63,5 | 250 | 3000 | 57,6 | 117,7 | | | | | | |
| 30A(C)25X379H | 25 | 35,3 | 70,5 | 250 | 3000 | 58,3 | 119,1 | | | | | | |
| 30A(C)28X379H | 28 | 39,5 | 79,0 | 250 | 3000 | 60,2 | 122,7 | | | | | | |
| 30A(C)32X379 | 32 | 45,1 | 75,2 | 250 | 2500 | 62,0 | 126,3 | 55 | M8 | 27 | 55 | M8 | 19 |
| 30A(C)32X379H | 32 | 45,1 | 90,2 | 250 | 3000 | 66,5 | 135,3 | | | | | | |
| 30A(C)36X379 | 36 | 50,8 | 84,6 | 250 | 2500 | 63,5 | 129,4 | | | | | | |
| 30A(C)36X379H | 36 | 51,3 | 95,8 | 250 | 2800 | 68,0 | 138,5 | | | | | | |
| 30A(C)42X379 | 42 | 59,9 | 91,8 | 230 | 2300 | 66,3 | 135,0 | 55 | M8 | 27 | 55 | M8 | 19 |
| 30A(C)42X379H | 42 | 59,9 | 99,8 | 230 | 2500 | 70,8 | 144,0 | | | | | | |
| 30A(C)46X379H | 46 | 65,6 | 100,5 | 230 | 2300 | 72,7 | 147,8 | | | | | | |
| 30A(C)50X379H | 50 | 71,3 | 99,8 | 200 | 2100 | 74,5 | 151,4 | | | | | | |
| 30A(C)55X379H | 55 | 78,4 | 91,4 | 200 | 1750 | 76,7 | 155,9 | 55 | M8 | 27 | 55 | M8 | 19 |
| 30A(C)60X379H | 60 | 85,5 | 99,8 | 180 | 1750 | 78,7 | 160,4 | | | | | | |

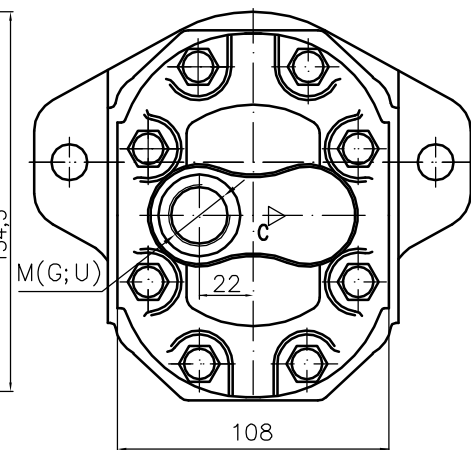
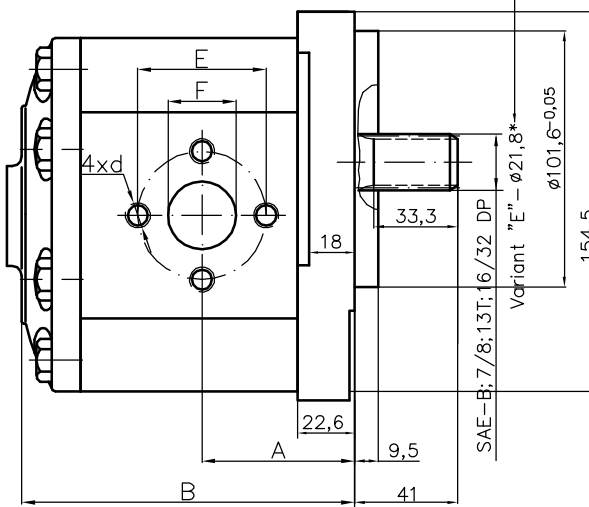
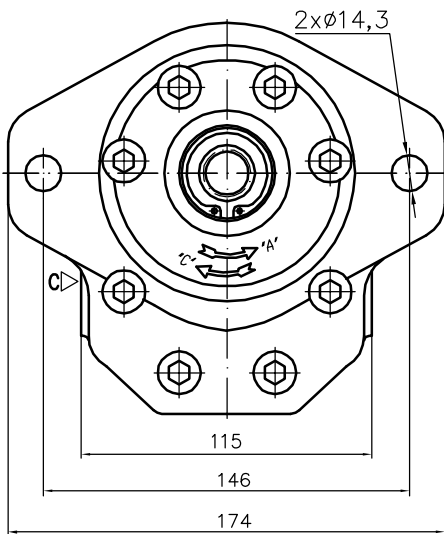


GEAR PUMP TYPE PGP 30A(C)...X383HVU

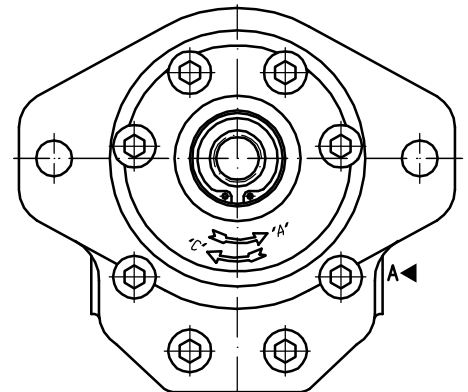
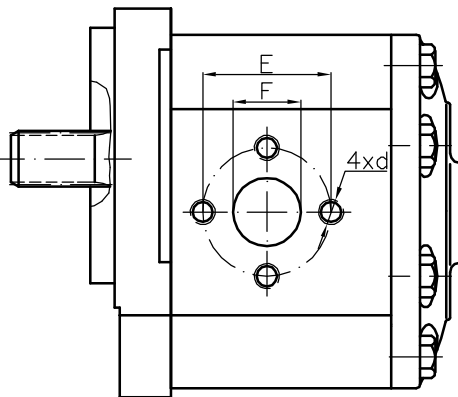
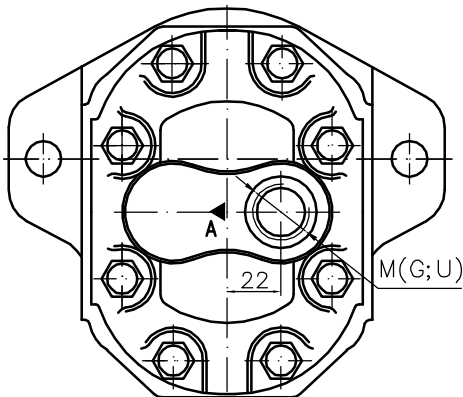
| Type | Displacement cm ³ /rev | Flow | | Pressure P _{nom} bar | max Speed n rpm | Dimension | | | | | | | |
|-------------------|--------------------------------------|----------------------|---------------------|-------------------------------------|-----------------------|-----------|---------|---------|--------------|---------|---|---|---|
| | | at 1500 rpm l/min | at max rpm l/min | | | Inlet | | Outlet | | | | | |
| | | | | | | A mm | B mm | E mm | d | F mm | M | G | U |
| 30A(C)20X383HVU | 20 | 28,2 | 56,4 | 200 | 3000 | 56,1 | 114,7 | 40 | 5/16-18UNC | 19 | | | |
| 30A(C)22,2X383HVU | 22,5 | 31,7 | 63,5 | 200 | 3000 | 57,6 | 117,7 | | | | | | |
| 30A(C)25X383HVU | 25 | 35,3 | 70,5 | 200 | 3000 | 58,3 | 119,1 | | | | | | |
| 30A(C)28X383HVU | 28 | 39,5 | 79,0 | 200 | 3000 | 60,2 | 122,7 | | | | | | |
| 30A(C)32X383VU | 32 | 45,1 | 75,2 | 200 | 2500 | 62,0 | 126,3 | 51 | 3/8-16UNC-2B | 27 | | | |
| 30A(C)32X383HVU | 32 | 45,1 | 90,2 | 200 | 3000 | 66,5 | 135,3 | | | | | | |
| 30A(C)36X383VU | 36 | 50,8 | 84,6 | 190 | 2500 | 63,5 | 129,4 | | | | | | |
| 30A(C)36X383HVU | 36 | 51,3 | 95,8 | 190 | 2800 | 68,0 | 138,5 | | | | | | |
| 30A(C)42X383VU | 42 | 59,9 | 91,8 | 190 | 2300 | 66,3 | 135,0 | | | | | | |
| 30A(C)42X383HVU | 42 | 59,9 | 99,8 | 190 | 2500 | 70,8 | 144,0 | | | | | | |
| 30A(C)46X383HVU | 46 | 65,6 | 100,5 | 175 | 2300 | 72,7 | 147,8 | | | | | | |
| 30A(C)50X383HVU | 50 | 71,3 | 99,8 | 175 | 2100 | 74,5 | 151,4 | | | | | | |
| 30A(C)55X383HVU | 55 | 78,4 | 91,4 | 175 | 1750 | 76,7 | 155,9 | | | | | | |
| 30A(C)60X383HVU | 60 | 85,5 | 99,8 | 160 | 1750 | 78,7 | 160,4 | | | | | | |

*designation: 30A(C)...X383HVUE

Rotation "C"



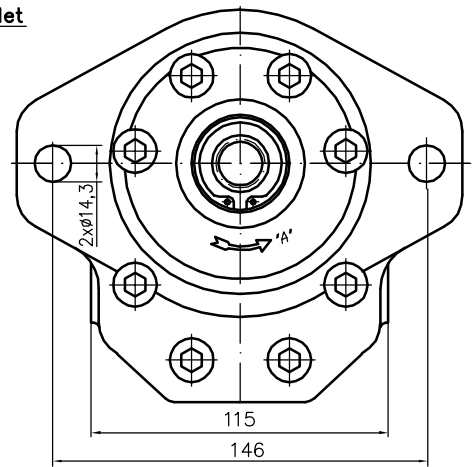
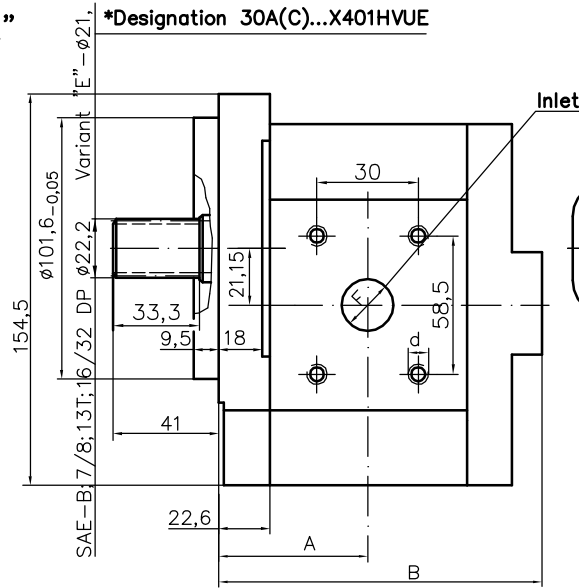
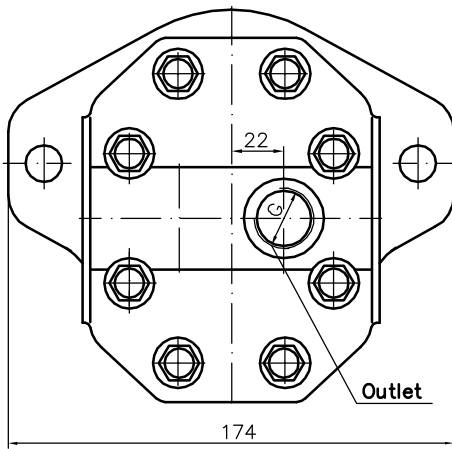
Rotation "A"



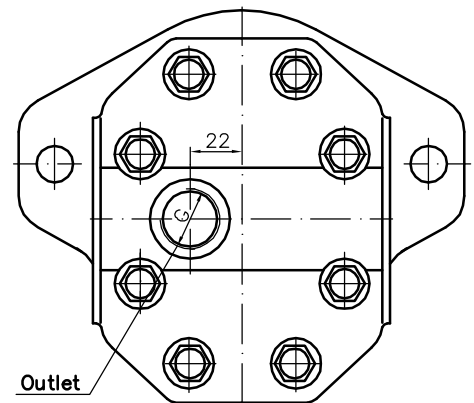
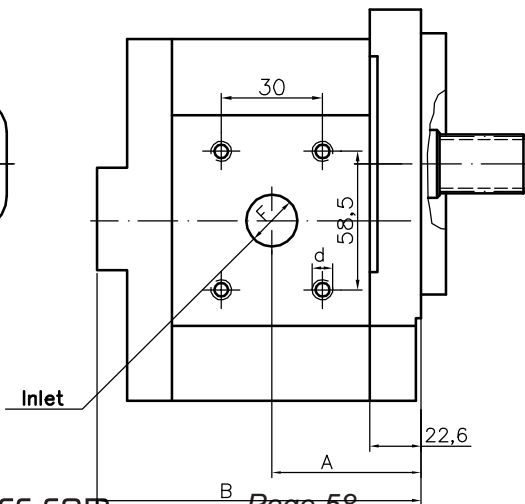
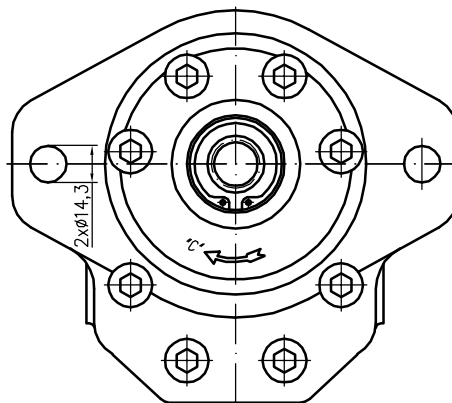
GEAR PUMP TYPE PGP 30A(C)...X401HVU

| Type | Displacement cm ³ /rev | Flow | | Pressure P _{nom} bar | max Speed n rpm | Dimension | | | | | | | | | |
|-----------------|--------------------------------------|----------------------|---------------------|-------------------------------------|-----------------------|-----------|-------|--------|--|--|--|--|--|--|--|
| | | at 1500 rpm l/min | at max rpm l/min | | | Inlet | | Outlet | | | | | | | |
| | | F | d | | | F1 | L2 | G | | | | | | | |
| 30A(C)32X401HVU | 32 | 45,1 | 90,2 | 250 | 3000 | 66,5 | 139,3 | | | | | | | | |
| 30A(C)36X401VU | 36 | 50,8 | 84,6 | 250 | 2500 | 63,5 | 133,4 | 27 | | | | | | | |
| 30A(C)36X401HVU | 36 | 51,3 | 95,8 | 250 | 2800 | 68,0 | 142,5 | | | | | | | | |
| 30A(C)42X401VU | 42 | 59,9 | 91,8 | 230 | 2300 | 66,3 | 139,0 | | | | | | | | |
| 30A(C)42X401HVU | 42 | 59,9 | 99,8 | 230 | 2500 | 70,8 | 148,1 | | | | | | | | |
| 30A(C)46X401HVU | 46 | 65,6 | 100,5 | 230 | 2300 | 72,7 | 151,8 | 32 | | | | | | | |
| 30A(C)50X401HVU | 50 | 71,3 | 99,8 | 200 | 2100 | 74,5 | 155,4 | | | | | | | | |
| 30A(C)55X401HVU | 55 | 78,4 | 91,4 | 200 | 1750 | 76,7 | 159,9 | | | | | | | | |
| 30A(C)60X401HVU | 60 | 85,5 | 99,8 | 180 | 1750 | 78,7 | 164,4 | | | | | | | | |

Rotation "A"



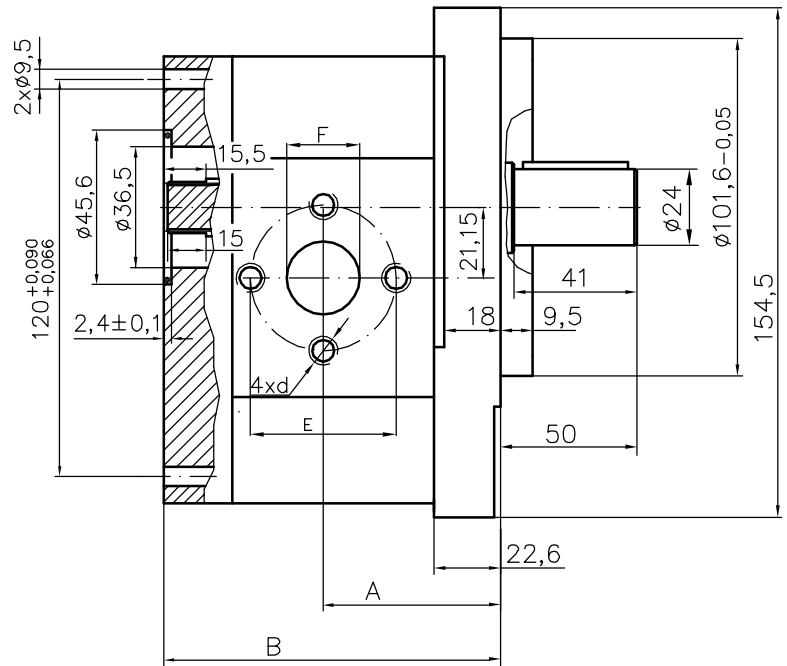
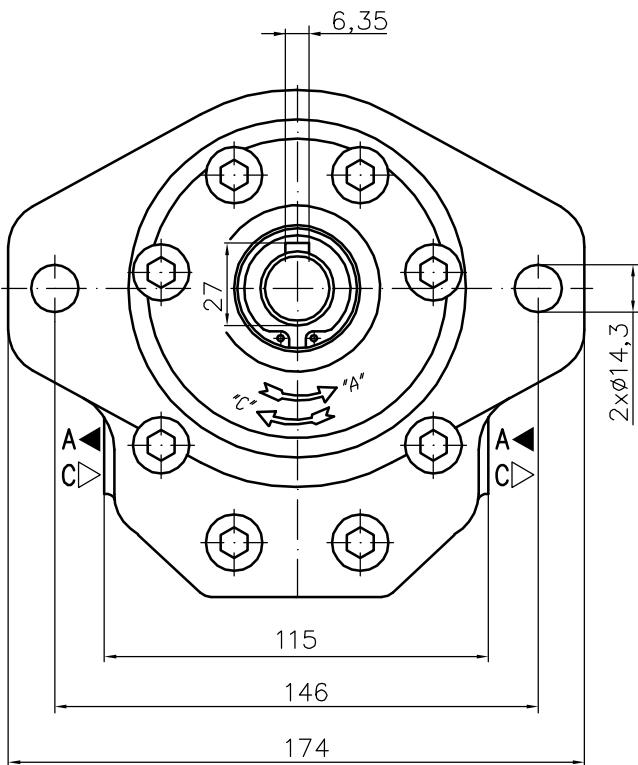
Rotation "C"



GEAR PUMP TYPE PGP 30A(C)...X407H

| Type | Displacement cm ³ /rev | Flow | | Pressure P _{nom} bar | max Speed n rpm | Dimension | | | | | | | |
|---------------|--------------------------------------|----------------------|---------------------|-------------------------------------|-----------------------|-----------|---------|-------|----|----|--------|----|----|
| | | at 1500 rpm l/min | at max rpm l/min | | | A mm | B mm | Inlet | | | Outlet | | |
| | | | | | | | | E | d | F | E | d | F |
| 30A(C)25X407H | 25 | 35,3 | 70,5 | 250 | 3000 | 58,3 | 119,1 | 40 | M8 | 19 | 40 | | |
| | | | | | | | | | | | | M8 | 19 |
| | | | | | | | | | | | | | |
| | | | | | | | | | | | | | |
| | | | | | | | | | | | | | |
| | | | | | | | | | | | | | |
| | | | | | | | | | | | | | |
| | | | | | | | | | | | | | |
| | | | | | | | | | | | | | |

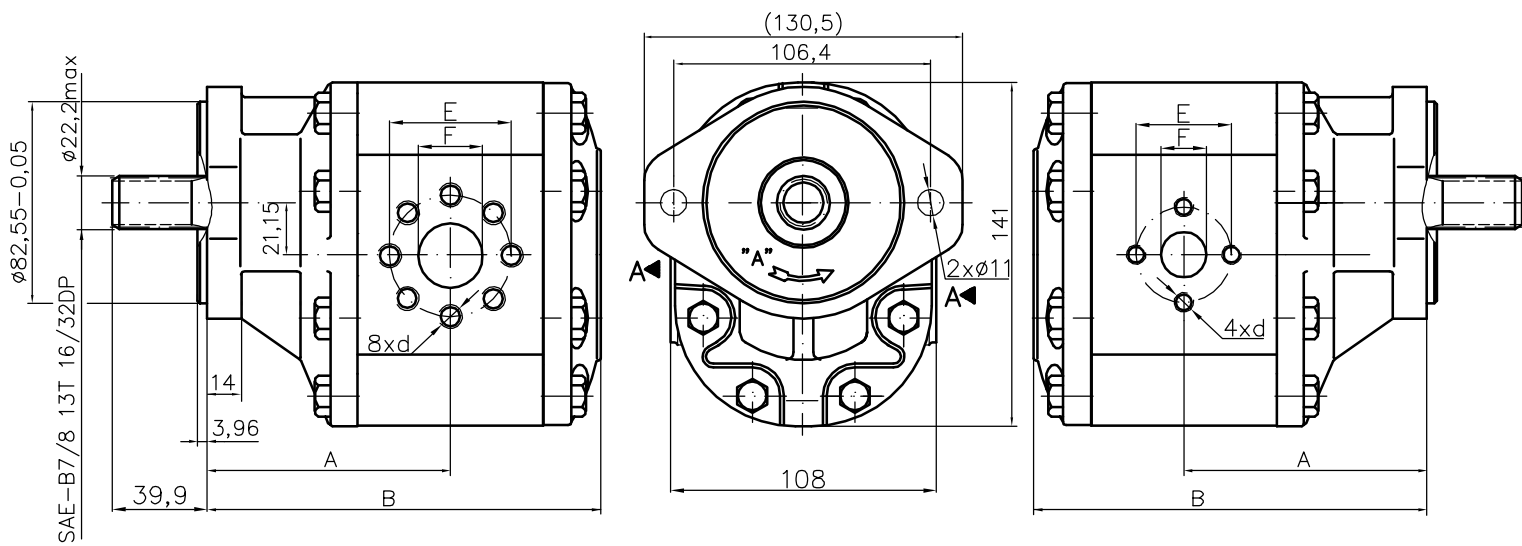
Designed as a first section of multiple gear pumps group 33.



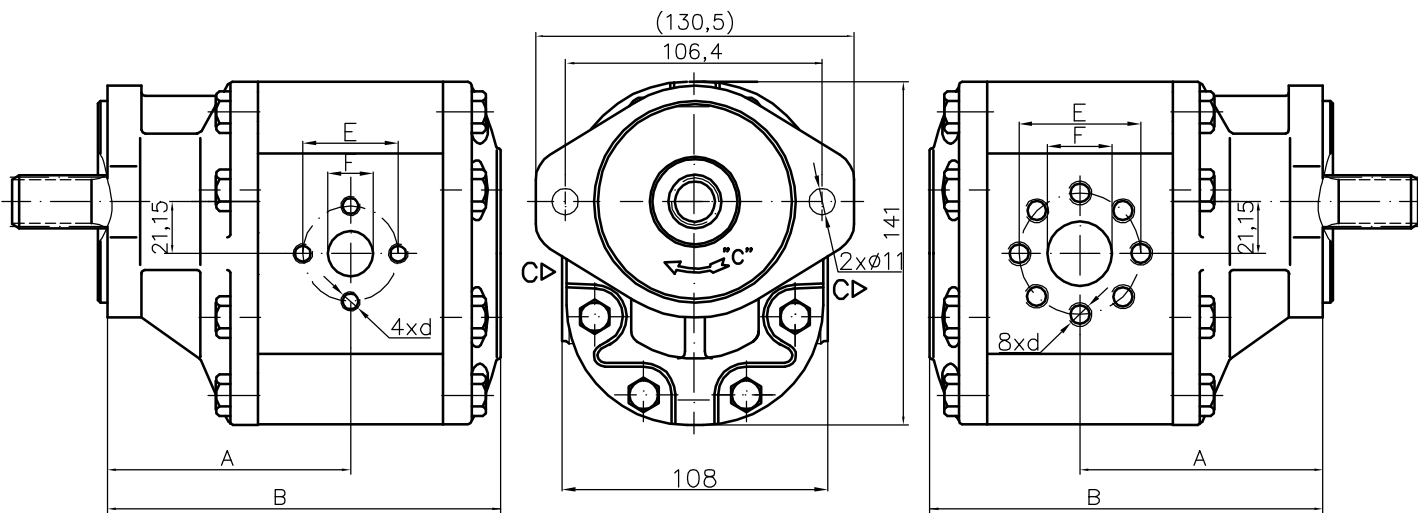
GEAR PUMP TYPE PGP 30A(C)...X415H

| Type | Displacement cm ³ /rev | Flow | | Pressure P _{nom} bar | max Speed n rpm | Dimension | | | | | | | |
|--------------|--------------------------------------|----------------------|---------------------|-------------------------------------|-----------------------|-----------|---------|---------|---------|---------|---------|---------|---------|
| | | at 1500 rpm l/min | at max rpm l/min | | | Inlet | | | Outlet | | | | |
| | | | | | | A mm | B mm | E mm | d mm | F mm | E mm | d mm | F mm |
| 30A(C)32X415 | 32 | 45,1 | 90,2 | 200 | 3000 | 101,0 | 163,8 | 51 | M10 | 27 | 40 | M8 | 19 |

Rotation "A"



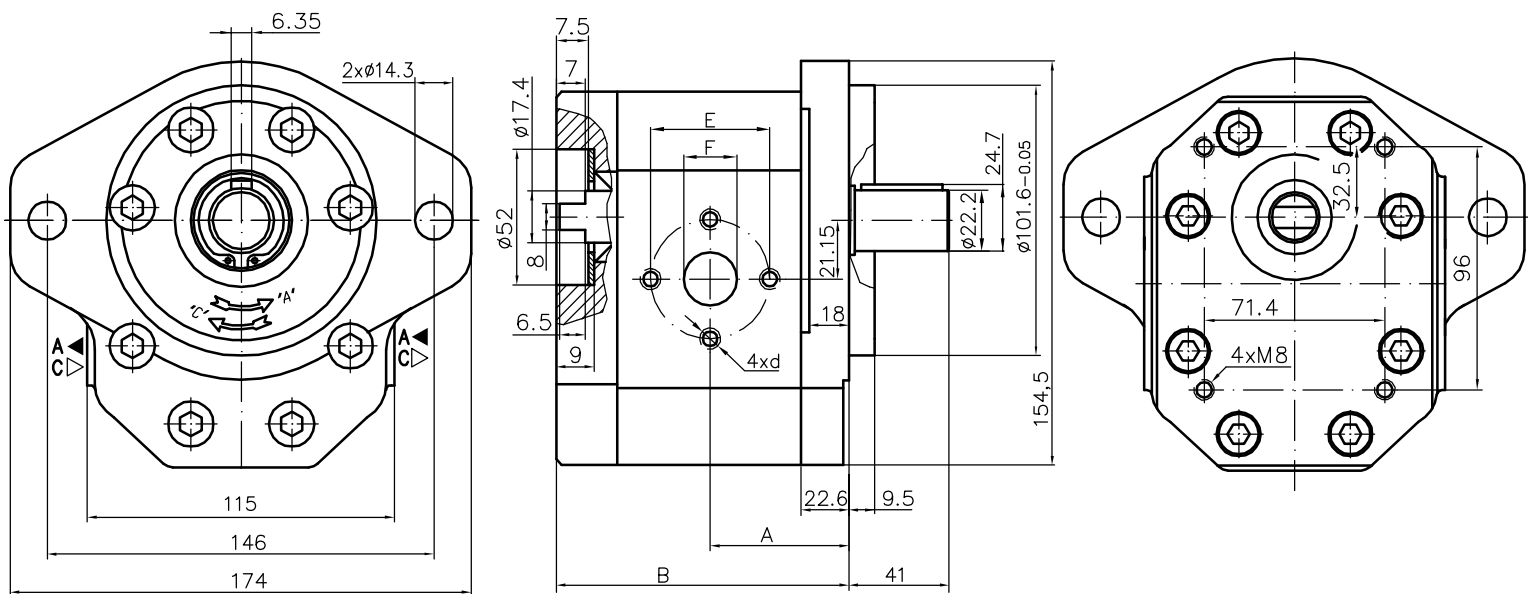
Rotation "C"



GEAR PUMP TYPE PGP 30A(C)...X454H

| Type | Displacement cm ³ /rev | Flow | | Pressure P _{nom} bar | max Speed n rpm | Dimension | | | | | | | |
|-----------------|--------------------------------------|----------------------|---------------------|-------------------------------------|-----------------------|-----------|---------|---------|--------|---------|---------|----|---------|
| | | at 1500 rpm l/min | at max rpm l/min | | | Inlet | | | Outlet | | | | |
| | | | | | | A mm | B mm | E mm | d | F mm | E mm | d | F mm |
| 30A(C)20X454H | 20 | 28,2 | 56,4 | 250 | 3000 | 56,1 | 114,7 | 40 | M8 | 19 | 40 | M8 | 19 |
| 30A(C)22,2X454H | 22,5 | 31,7 | 63,5 | 250 | 3000 | 57,6 | 117,7 | | | | | | |
| 30A(C)25X454H | 25 | 35,3 | 70,5 | 250 | 3000 | 58,3 | 119,1 | | | | | | |
| 30A(C)28X454H | 28 | 39,5 | 79,0 | 250 | 3000 | 60,2 | 122,7 | | | | | | |
| 30A(C)32X454 | 32 | 45,1 | 75,2 | 250 | 2500 | 62,0 | 126,3 | | | | | | |
| 30A(C)32X454H | 32 | 45,1 | 90,2 | 250 | 3000 | 66,5 | 135,3 | 51 | M10 | 27 | 40 | M8 | 19 |
| 30A(C)36X454 | 36 | 50,8 | 84,6 | 250 | 2500 | 63,5 | 129,4 | | | | | | |
| 30A(C)36X454H | 36 | 51,3 | 95,8 | 250 | 2800 | 68,0 | 138,5 | | | | | | |
| 30A(C)42X454 | 42 | 59,9 | 91,8 | 230 | 2300 | 66,3 | 135,0 | | | | | | |
| 30A(C)42X454H | 42 | 59,9 | 99,8 | 230 | 2500 | 70,8 | 144,0 | | | | | | |
| 30A(C)46X454H | 46 | 65,6 | 100,5 | 230 | 2300 | 72,7 | 147,8 | | | | | | |
| 30A(C)50X454H | 50 | 71,3 | 99,8 | 200 | 2100 | 74,5 | 151,4 | | | | | | |
| 30A(C)55X454H | 55 | 78,4 | 91,4 | 200 | 1750 | 76,7 | 155,9 | | | | | | |
| 30A(C)60X454H | 60 | 85,5 | 99,8 | 180 | 1750 | 78,7 | 160,4 | | | | | | |

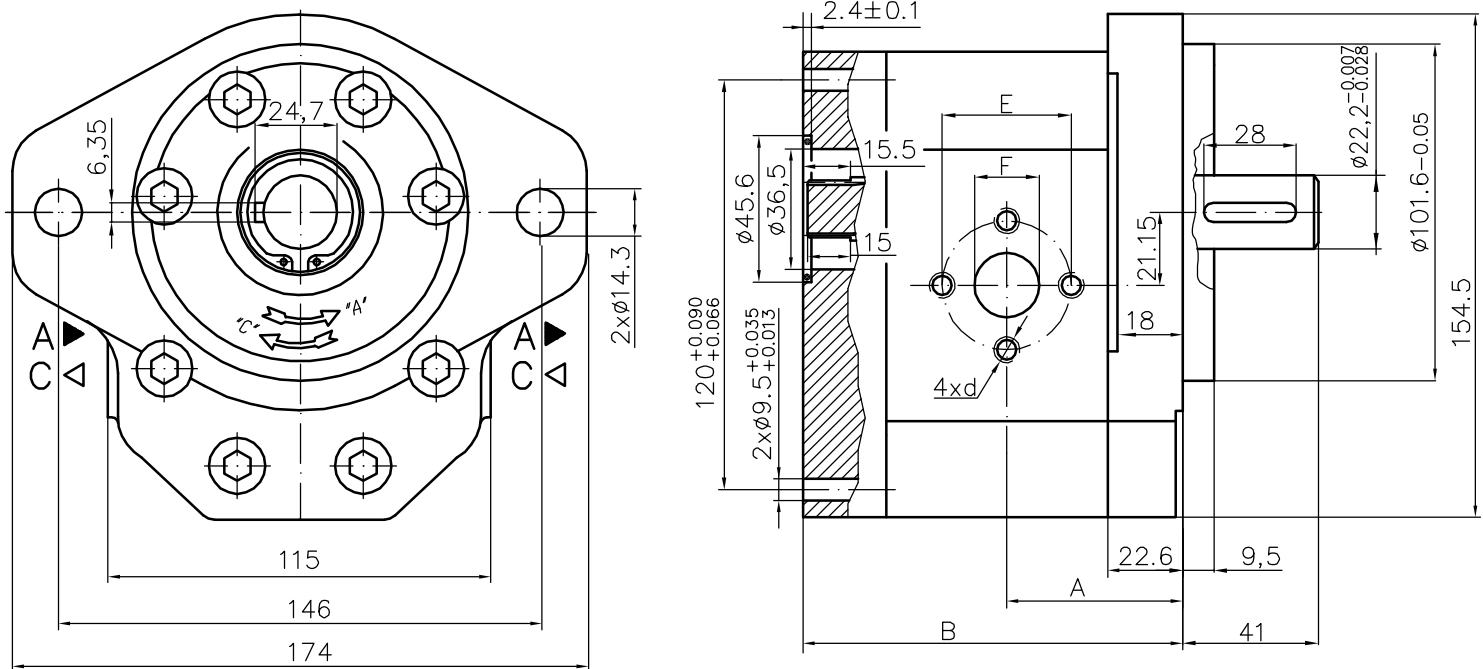
Designed as a first section of multiple gear pumps group 32.



GEAR PUMP TYPE PGP 30A(C)...X455H

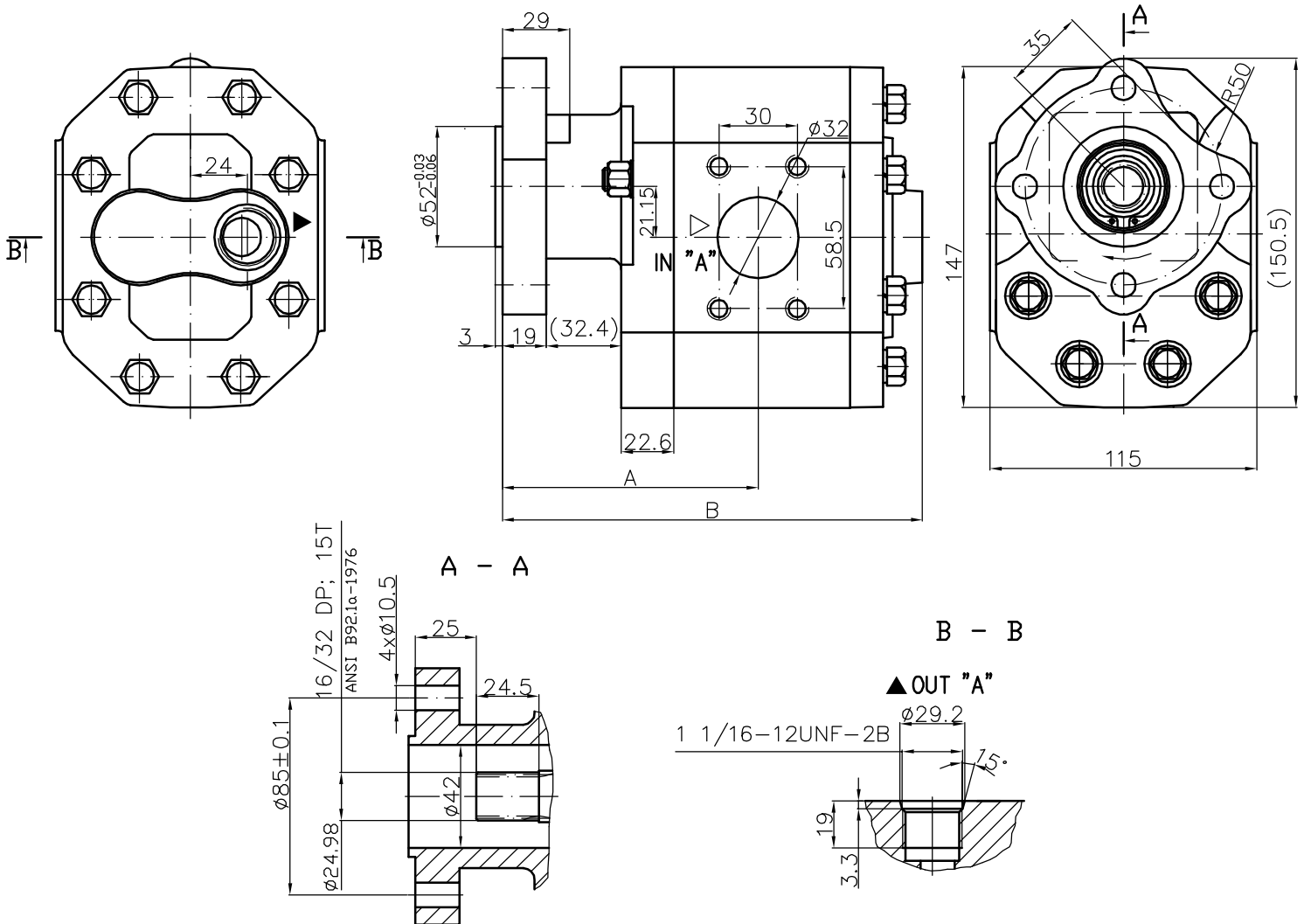
| Type | Displacement cm ³ /rev | Flow | | Pressure P _{nom} bar | max Speed n rpm | Dimension | | | | | | | |
|-----------------|--------------------------------------|----------------------|---------------------|-------------------------------------|-----------------------|-----------|---------|---------|-----|---------|---------|----|---------|
| | | at 1500 rpm l/min | at max rpm l/min | | | Inlet | | Outlet | | | | | |
| | | | | | | A mm | B mm | E mm | d | F mm | E mm | d | F mm |
| 30A(C)20X455H | 20 | 28,2 | 56,4 | 250 | 3000 | 56,1 | 114,7 | 40 | M8 | 19 | 40 | M8 | 19 |
| 30A(C)22,2X455H | 22,5 | 31,7 | 63,5 | 250 | 3000 | 57,6 | 117,7 | | | | | | |
| 30A(C)25X455H | 25 | 35,3 | 70,5 | 250 | 3000 | 58,3 | 119,1 | | | | | | |
| 30A(C)28X455H | 28 | 39,5 | 79,0 | 250 | 3000 | 60,2 | 122,7 | | | | | | |
| 30A(C)32X455 | 32 | 45,1 | 75,2 | 250 | 2500 | 62,0 | 126,3 | | | | | | |
| 30A(C)32X455H | 32 | 45,1 | 90,2 | 250 | 3000 | 66,5 | 135,3 | 51 | M10 | 27 | 40 | M8 | 19 |
| 30A(C)36X455 | 36 | 50,8 | 84,6 | 250 | 2500 | 63,5 | 129,4 | | | | | | |
| 30A(C)36X455H | 36 | 51,3 | 95,8 | 250 | 2800 | 68,0 | 138,5 | | | | | | |
| 30A(C)42X455 | 42 | 59,9 | 91,8 | 230 | 2300 | 66,3 | 135,0 | | | | | | |
| 30A(C)42X455H | 42 | 59,9 | 99,8 | 230 | 2500 | 70,8 | 144,0 | | | | | | |
| 30A(C)46X455H | 46 | 65,6 | 100,5 | 230 | 2300 | 72,7 | 147,8 | 51 | M10 | 27 | 40 | M8 | 19 |
| 30A(C)50X455H | 50 | 71,3 | 99,8 | 200 | 2100 | 74,5 | 151,4 | | | | | | |
| 30A(C)55X455H | 55 | 78,4 | 91,4 | 200 | 1750 | 76,7 | 155,9 | | | | | | |
| 30A(C)60X455H | 60 | 85,5 | 99,8 | 180 | 1750 | 78,7 | 160,4 | | | | | | |

Designed as a first section of multiple gear pumps group 33.



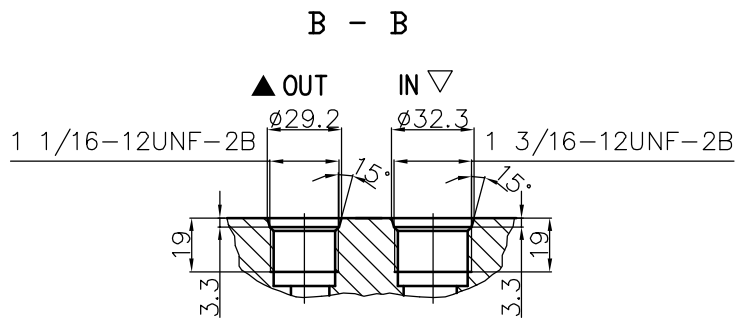
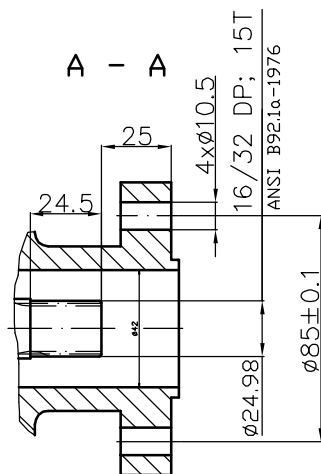
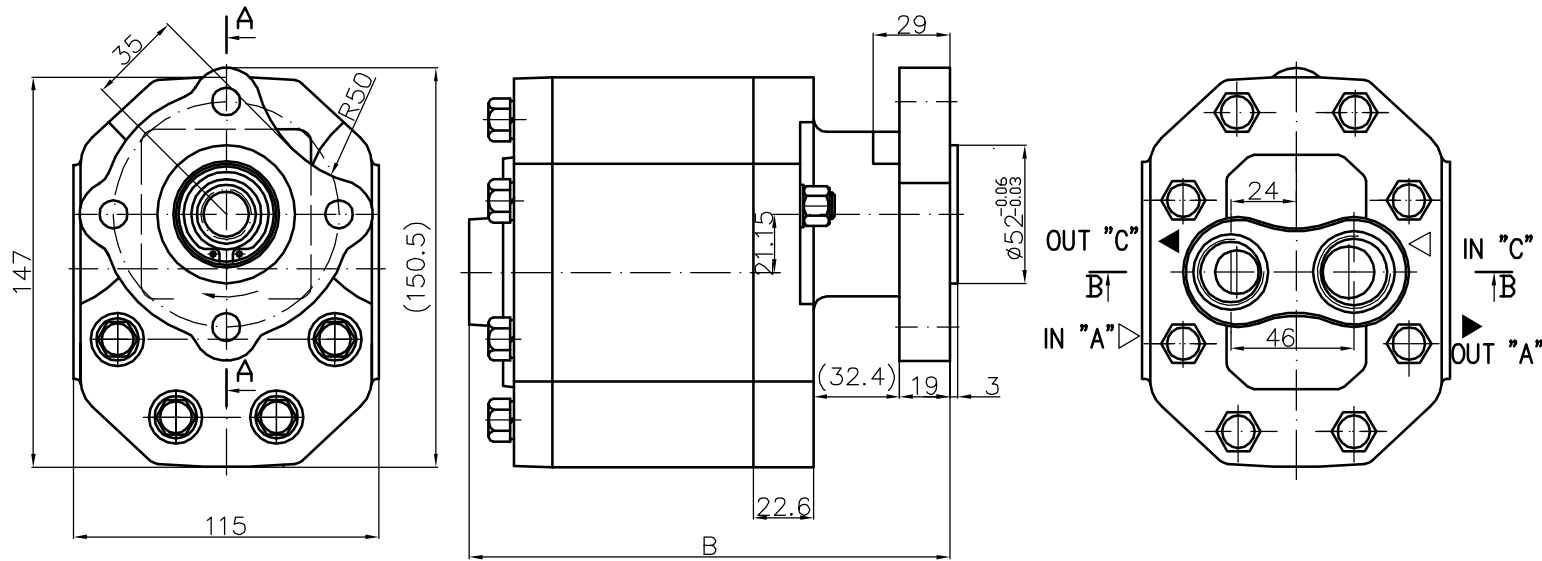
GEAR PUMP TYPE PGP 30A(C)...X456HVU

| Type | Displacement cm ³ /rev | Flow | | Pressure P _{nom} bar | max Speed n rpm | Dimension | | | | | | | | |
|-----------------|--------------------------------------|----------------------|---------------------|-------------------------------------|-----------------------|-----------|---------|-------|---------------|----|------|--------|--|------------------|
| | | at 1500 rpm l/min | at max rpm l/min | | | A mm | B mm | Inlet | | | | Outlet | | |
| | | | | | | | | F2 | d | L2 | H2 | | | U |
| 30A(C)42X456HVU | 42 | 59,9 | 99,8 | 230 | 2500 | 122,2 | 199,5 | 32 | 3/8"-16UNC-2B | 30 | 58,5 | | | 1 1/16"-12UNF-2B |
| 30A(C)46X456HVU | 46 | 65,6 | 100,5 | 230 | 2300 | 124,1 | 203,2 | | | | | | | |
| 30A(C)50X456HVU | 50 | 71,3 | 99,8 | 200 | 2100 | 125,9 | 206,8 | | | | | | | |
| 30A(C)55X456HVU | 55 | 78,4 | 91,4 | 200 | 1750 | 128,1 | 211,3 | | | | | | | |
| 30A(C)60X456HVU | 60 | 85,5 | 99,8 | 180 | 1750 | 130,4 | 215,8 | | | | | | | |



GEAR PUMP TYPE PGP 30A(C)...X456HWU

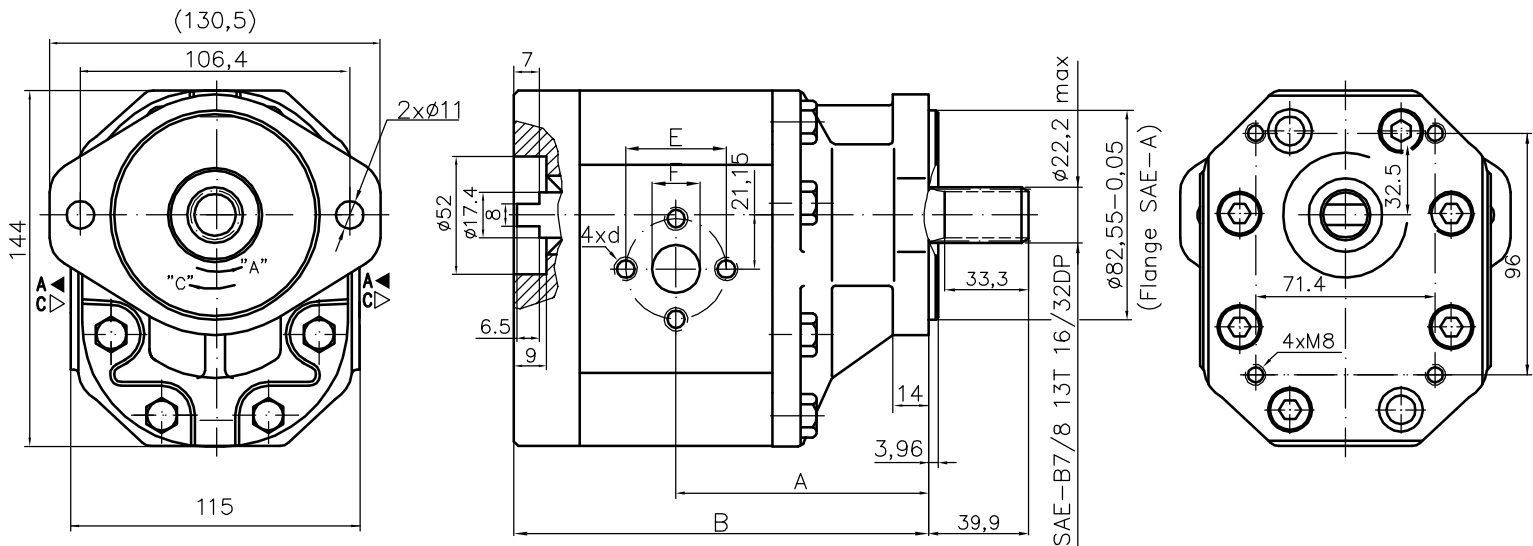
| Type | Displacement cm ³ /rev | Flow | | Pressure P _{nom} bar | max Speed n rpm | Dimension | | | | | | | |
|-----------------|--------------------------------------|----------------------|---------------------|-------------------------------------|-----------------------|-----------|---------|--------|---|---|---|---|---|
| | | at 1500 rpm l/min | at max rpm l/min | | | Inlet | | Outlet | | | | | |
| | | | | | | A mm | B mm | M | G | U | M | G | U |
| 40A(C)36X456HWU | 36 | 51,3 | 95,8 | 250 | 2800 | | 193,9 | | | | | | |
| 40A(C)42X456HWU | 42 | 59,9 | 99,8 | 230 | 2500 | | 199,5 | | | | | | |
| 40A(C)46X456HWU | 46 | 65,6 | 100,5 | 230 | 2300 | | 203,2 | | | | | | |
| 40A(C)50X456HWU | 50 | 71,3 | 99,8 | 200 | 2100 | | 206,8 | | | | | | |
| 40A(C)55X456HWU | 55 | 78,4 | 91,4 | 200 | 1750 | | 211,3 | | | | | | |
| 40A(C)60X456HWU | 60 | 85,5 | 99,8 | 180 | 1750 | | 215,8 | | | | | | |



GEAR PUMP TYPE PGP 30A(C)...X505H

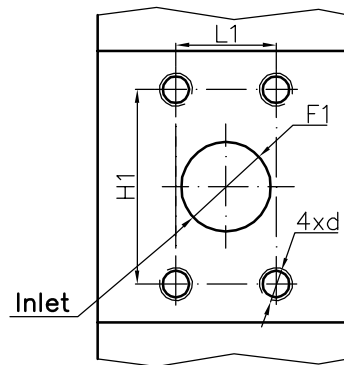
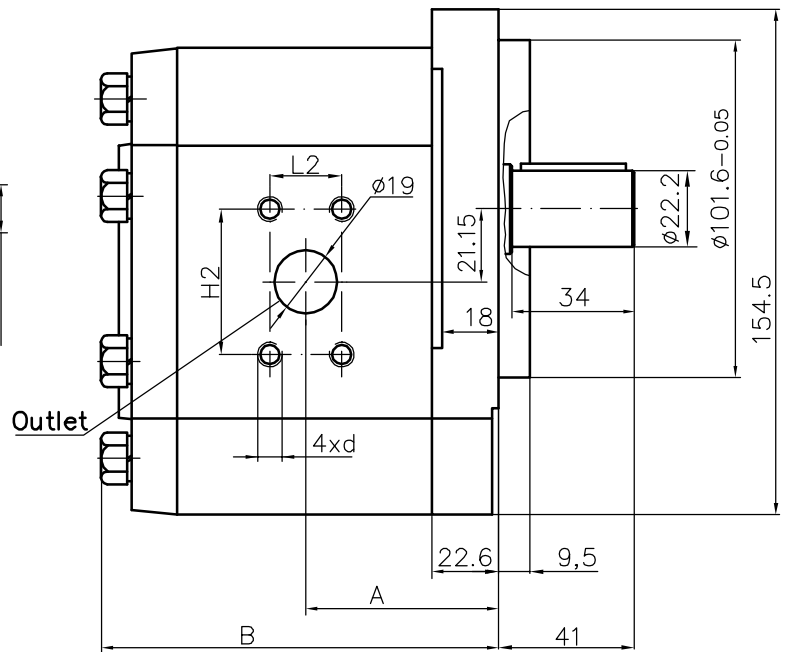
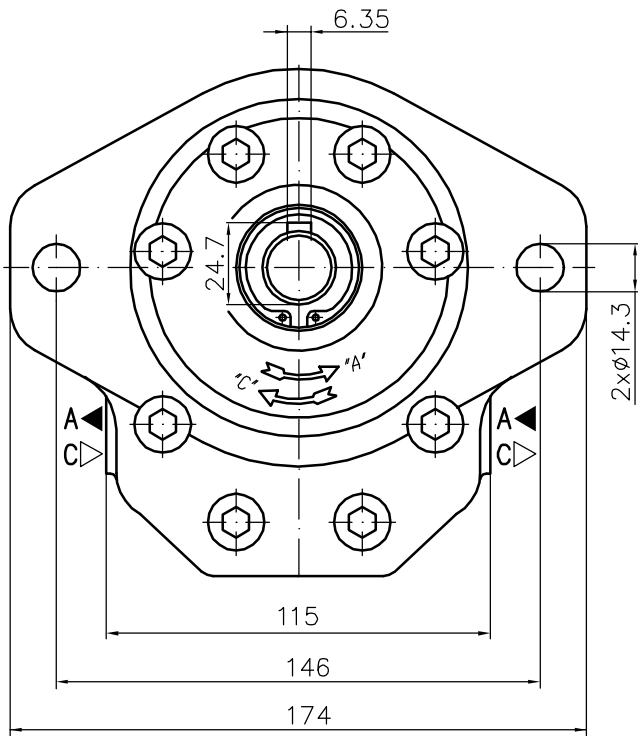
| Type | Displacement cm ³ /rev | Flow | | Pressure P _{nom} bar | max Speed n rpm | Dimension | | | | | | | |
|---------------|--------------------------------------|----------------------|---------------------|-------------------------------------|-----------------------|-----------|---------|---------|---------|---------|---------|---------|---------|
| | | at 1500 rpm l/min | at max rpm l/min | | | Inlet | | Outlet | | | | | |
| | | | | | | A mm | B mm | E mm | d mm | F mm | E mm | d mm | F mm |
| 30A(C)32X505H | 32 | 45,1 | 90,2 | 220 | 3000 | 105,5 | 174,3 | 51 | M10 | 27 | 40 | M8 | 19 |

Designed as a first section of multiple gear pumps group 32.



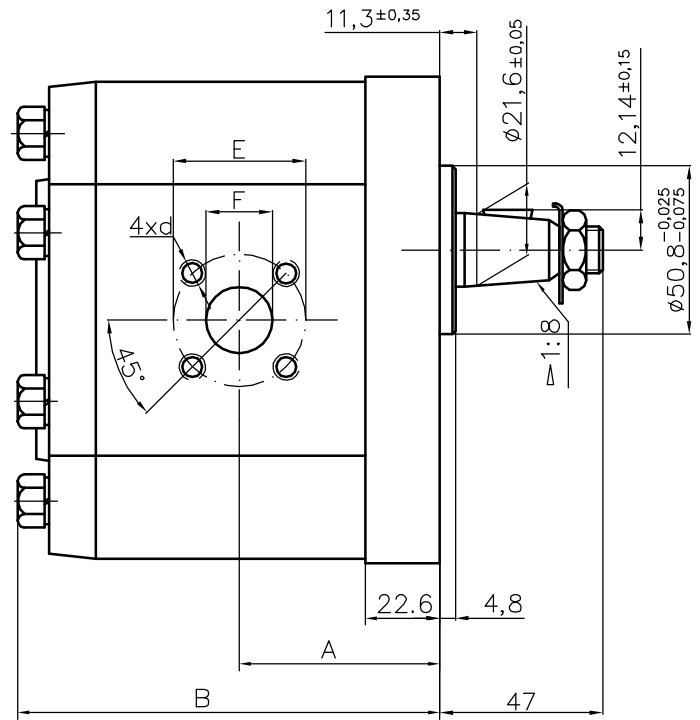
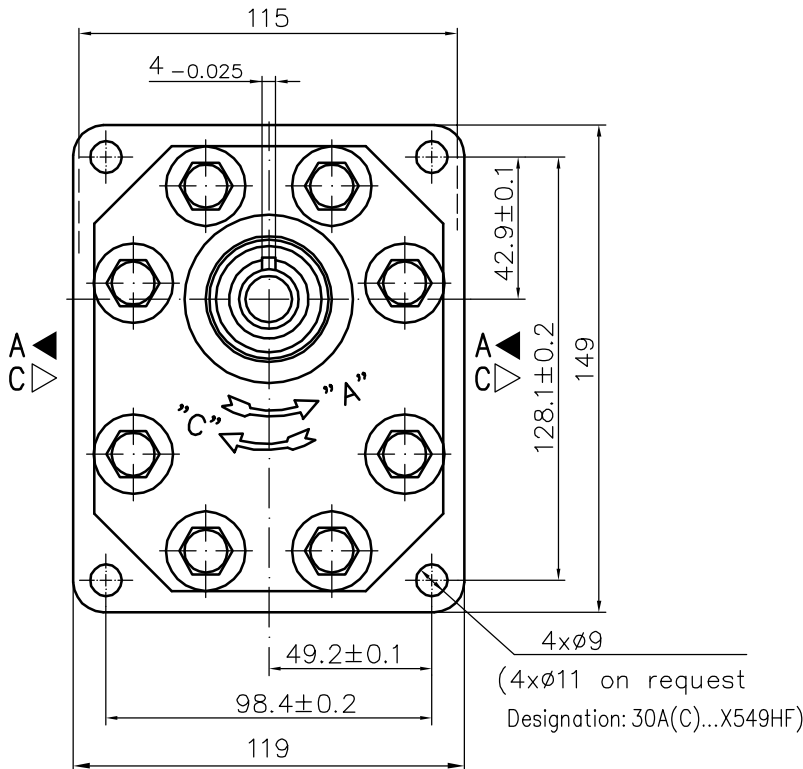
GEAR PUMP TYPE PGP 30A(C)...X547H

| Type | Displacement cm ³ /rev | Flow | | Pressure P _{nom} bar | max Speed n rpm | Dimension | | | | | | | | | |
|-----------------|--------------------------------------|----------------------|---------------------|-------------------------------------|-----------------------|-----------|---------|-------|---------------|------|------|--------|---------------|------|------|
| | | at 1500 rpm l/min | at max rpm l/min | | | A mm | B mm | Inlet | | | | Outlet | | | |
| | | | | | | | | F1 | d | H1 | L1 | F2 | d | H2 | L2 |
| 30A(C)20X547H | 20 | 28,2 | 56,4 | 250 | 3000 | 56,1 | 116,7 | 19 | 3/8"-16UNC-2B | 47,6 | 22,2 | 19 | 3/8"-16UNC-2B | 47,6 | 22,2 |
| 30A(C)22,2X547H | 22,5 | 31,7 | 63,5 | 250 | 3000 | 57,6 | 119,7 | | | | | | | | |
| 30A(C)25X547H | 25 | 35,3 | 58,8 | 250 | 2500 | 58,3 | 121,1 | | | | | | | | |
| 30A(C)28X547H | 28 | 39,5 | 79,0 | 250 | 3000 | 60,2 | 124,7 | | | | | | | | |
| 30A(C)32X547 | 32 | 45,1 | 75,2 | 250 | 2500 | 62,0 | 128,3 | | | | | | | | |
| 30A(C)32X547H | 32 | 45,1 | 84,2 | 250 | 2800 | 66,5 | 137,3 | | | | | | | | |
| 30A(C)36X547 | 36 | 50,8 | 77,8 | 250 | 2300 | 63,5 | 131,4 | 27 | 3/8"-16UNC-2B | 52,4 | 26,2 | 19 | 3/8"-16UNC-2B | 47,6 | 22,2 |
| 30A(C)36X547H | 36 | 51,3 | 85,5 | 250 | 2500 | 68,0 | 140,5 | | | | | | | | |
| 30A(C)42X547 | 42 | 59,9 | 91,8 | 230 | 2300 | 66,3 | 137,0 | | | | | | | | |
| 30A(C)42X547H | 42 | 59,9 | 83,8 | 230 | 2100 | 70,8 | 146,1 | | | | | | | | |
| 30A(C)46X547H | 46 | 65,6 | 76,5 | 230 | 1750 | 72,7 | 149,8 | | | | | | | | |
| 30A(C)50X547H | 50 | 71,3 | 83,1 | 200 | 1750 | 74,5 | 153,4 | | | | | | | | |
| 30A(C)55X547H | 55 | 78,4 | 91,4 | 200 | 1750 | 76,7 | 157,9 | 27 | 3/8"-16UNC-2B | 52,4 | 26,2 | 19 | 3/8"-16UNC-2B | 47,6 | 22,2 |
| 30A(C)60X547H | 60 | 85,5 | 99,8 | 180 | 1750 | 78,7 | 162,4 | | | | | | | | |



GEAR PUMP TYPE PGP 30A(C)...X549H

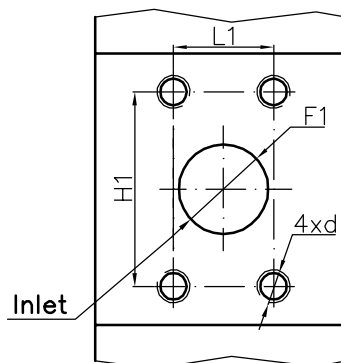
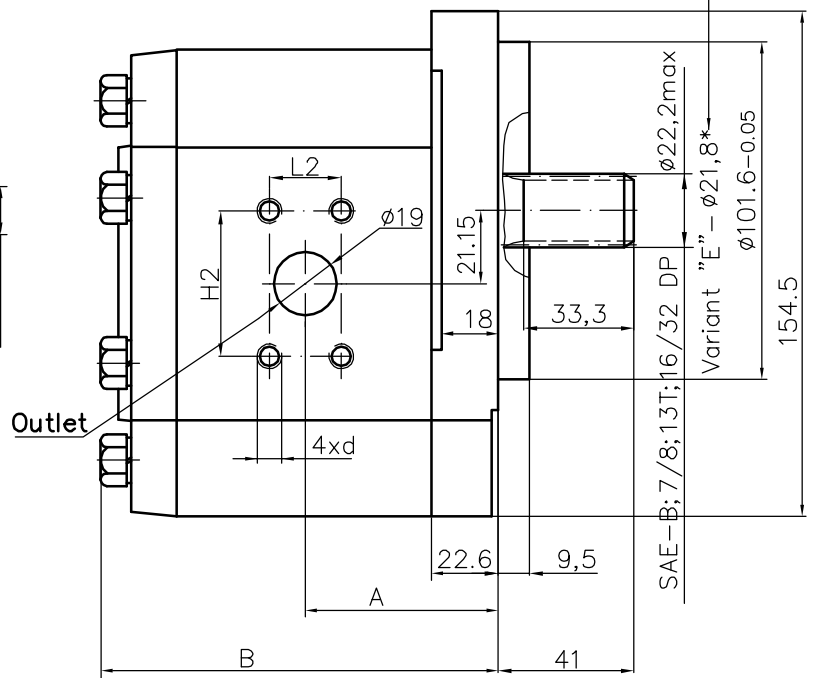
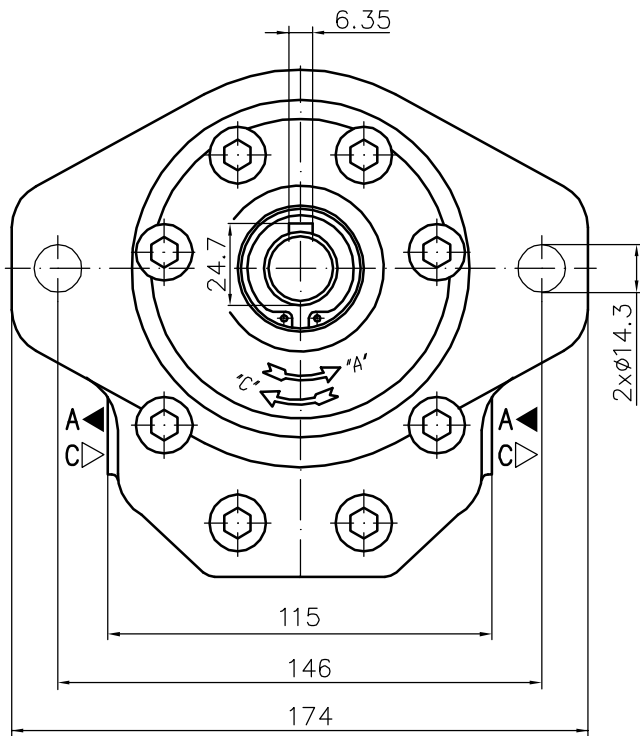
| Type | Displacement cm ³ /rev | Flow | | Pressure P _{nom} bar | max Speed n rpm | Dimension | | | | | | | |
|-----------------|--------------------------------------|----------------------|---------------------|-------------------------------------|-----------------------|-----------|---------|---------|---------|---------|---------|---------|---------|
| | | at 1500 rpm l/min | at max rpm l/min | | | Inlet | | Outlet | | | | | |
| | | | | | | A mm | B mm | E mm | d mm | F mm | E mm | d mm | F mm |
| 30A(C)20X549H | 20 | 28,2 | 56,4 | 250 | 3000 | 56,1 | 116,7 | 40 | M6 | 20 | 35 | M6 | 15 |
| 30A(C)22,5X549H | 22,5 | 31,7 | 63,5 | 250 | 3000 | 57,6 | 119,7 | | | | | | |
| 30A(C)25X549H | 25 | 35,3 | 70,5 | 250 | 3000 | 58,3 | 121,1 | | | | | | |
| 30A(C)28X549H | 28 | 39,5 | 79,0 | 250 | 3000 | 60,2 | 124,7 | | | | | | |
| 30A(C)32X549 | 32 | 45,1 | 75,2 | 250 | 2500 | 62,0 | 128,3 | | | | | | |
| 30A(C)32X549H | 32 | 45,1 | 90,2 | 250 | 3000 | 66,5 | 137,3 | 55 | M8 | 27 | 55 | M8 | 19 |
| 30A(C)36X549 | 36 | 50,8 | 84,6 | 250 | 2500 | 63,5 | 131,4 | | | | | | |
| 30A(C)36X549H | 36 | 50,8 | 95,8 | 250 | 2800 | 68,0 | 140,5 | | | | | | |
| 30A(C)42X549 | 42 | 59,9 | 91,8 | 230 | 2300 | 66,3 | 137,0 | | | | | | |
| 30A(C)42X549H | 42 | 59,9 | 99,8 | 230 | 2500 | 70,8 | 146,1 | | | | | | |
| 30A(C)46X549H | 46 | 65,6 | 100,5 | 230 | 2300 | 72,7 | 149,8 | | | | | | |
| 30A(C)50X549H | 50 | 71,3 | 99,8 | 200 | 2100 | 74,5 | 153,4 | | | | | | |
| 30A(C)55X549H | 55 | 78,4 | 91,4 | 200 | 1750 | 76,7 | 157,9 | | | | | | |
| 30A(C)60X549H | 60 | 85,5 | 99,8 | 180 | 1750 | 78,7 | 162,4 | | | | | | |



GEAR PUMP TYPE PGP 30A(C)...X569H

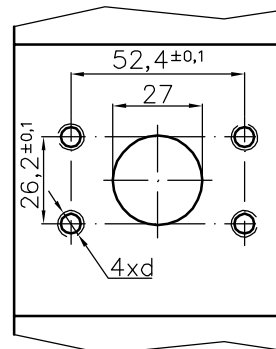
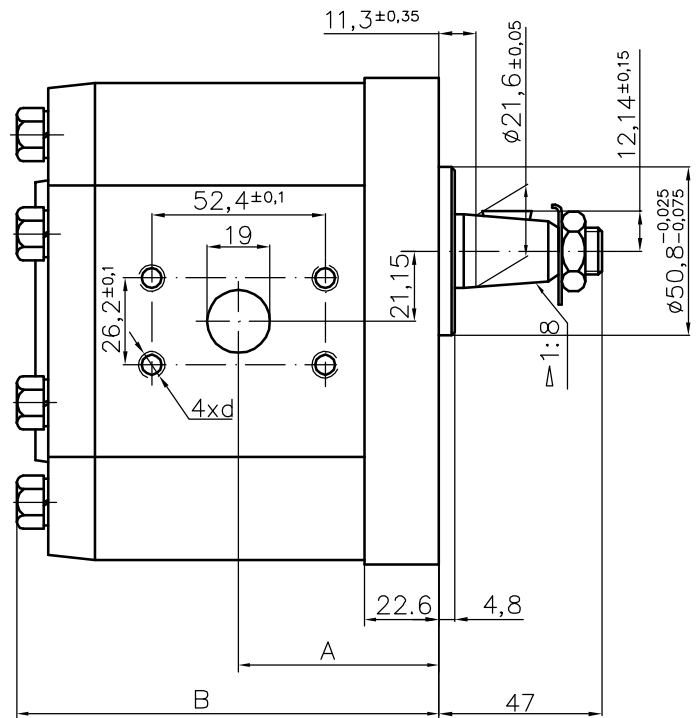
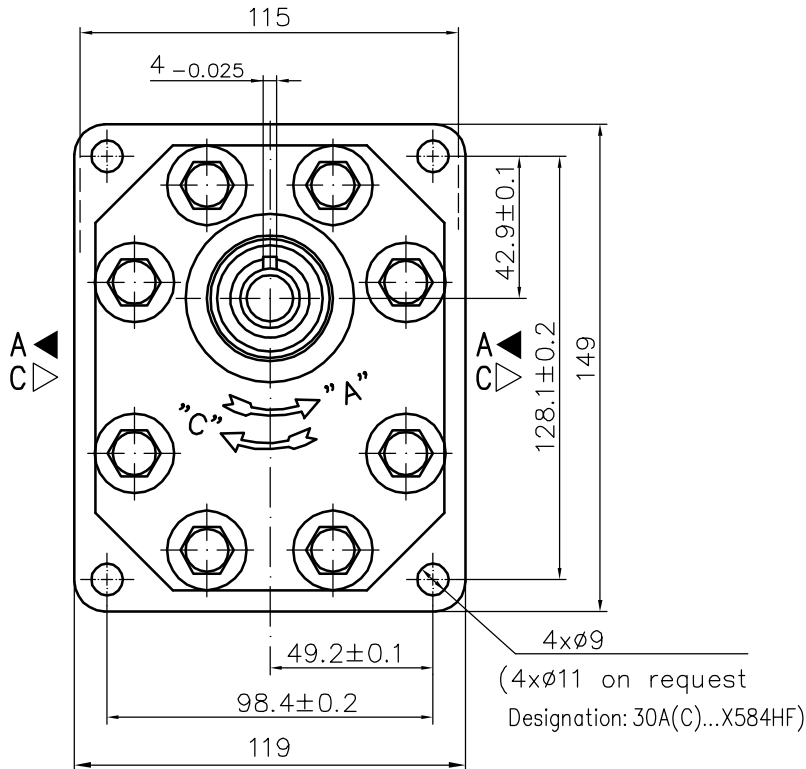
| Type | Displacement cm ³ /rev | Flow | | Pressure P _{nom} bar | max Speed n rpm | Dimension | | | | | | | | | |
|-----------------|--------------------------------------|----------------------|---------------------|-------------------------------------|-----------------------|-----------|---------|----|---------------|--------|------|----|---------------|------|------|
| | | at 1500 rpm l/min | at max rpm l/min | | | Inlet | | | | Outlet | | | | | |
| | | | | | | A mm | B mm | F1 | d | H1 | L1 | F2 | d | H2 | L2 |
| 30A(C)20X569H | 20 | 28,2 | 56,4 | 250 | 3000 | 56,1 | 116,7 | 19 | 3/8"-16UNC-2B | 47,6 | 22,2 | 19 | 3/8"-16UNC-2B | 47,6 | 22,2 |
| 30A(C)22,2X569H | 22,5 | 31,7 | 63,5 | 250 | 3000 | 57,6 | 119,7 | | | | | | | | |
| 30A(C)25X569H | 25 | 35,3 | 58,8 | 250 | 2500 | 58,3 | 121,1 | | | | | | | | |
| 30A(C)28X569H | 28 | 39,5 | 79,0 | 250 | 3000 | 60,2 | 124,7 | | | | | | | | |
| 30A(C)32X569 | 32 | 45,1 | 75,2 | 250 | 2500 | 62,0 | 128,3 | | | | | | | | |
| 30A(C)32X569H | 32 | 45,1 | 84,2 | 250 | 2800 | 66,5 | 137,3 | | | | | | | | |
| 30A(C)36X569 | 36 | 50,8 | 77,8 | 250 | 2300 | 63,5 | 131,4 | 27 | 3/8"-16UNC-2B | 52,4 | 26,2 | 19 | 3/8"-16UNC-2B | 47,6 | 22,2 |
| 30A(C)36X569H | 36 | 51,3 | 85,5 | 250 | 2500 | 68,0 | 140,5 | | | | | | | | |
| 30A(C)42X569 | 42 | 59,9 | 91,8 | 230 | 2300 | 66,3 | 137,0 | | | | | | | | |
| 30A(C)42X569H | 42 | 59,9 | 83,8 | 230 | 2100 | 70,8 | 146,1 | | | | | | | | |
| 30A(C)46X569H | 46 | 65,6 | 76,5 | 230 | 1750 | 72,7 | 149,8 | | | | | | | | |
| 30A(C)50X569H | 50 | 71,3 | 83,1 | 200 | 1750 | 74,5 | 153,4 | | | | | | | | |
| 30A(C)55X569H | 55 | 78,4 | 91,4 | 200 | 1750 | 76,7 | 157,9 | 27 | 3/8"-16UNC-2B | 52,4 | 26,2 | 19 | 3/8"-16UNC-2B | 47,6 | 22,2 |
| 30A(C)60X569H | 60 | 85,5 | 99,8 | 180 | 1750 | 78,7 | 162,4 | | | | | | | | |

*designation: 30A(C)...X569HE



GEAR PUMP TYPE PGP 30A(C)...X584H

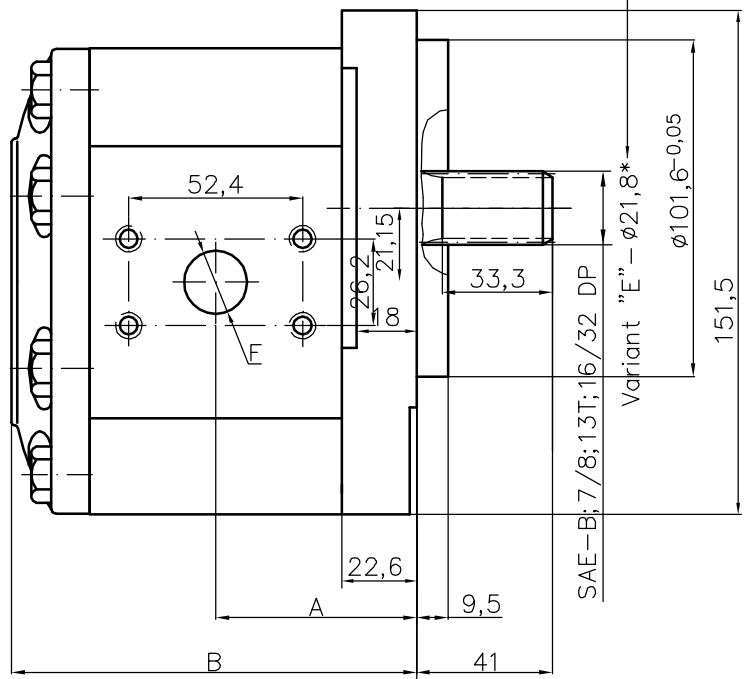
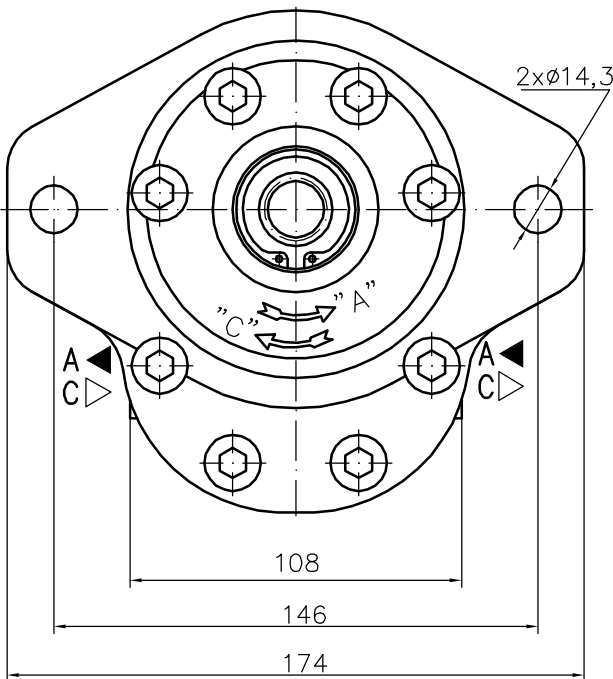
| Type | Displacement cm ³ /rev | Flow | | Pressure P _{nom} bar | max Speed n rpm | Dimension | | | | | | | | | |
|---------------|--------------------------------------|----------------------|---------------------|-------------------------------------|-----------------------|-----------|---------|-------|----|------|------|--------|----|------|------|
| | | at 1500 rpm l/min | at max rpm l/min | | | A mm | B mm | Inlet | | | | Outlet | | | |
| | | | | | | F1 | d | H1 | L1 | F2 | d | H2 | L2 | | |
| 30A(C)25X584H | 25 | 35,3 | 70,5 | 250 | 3000 | 58,3 | 121,1 | | | | | | | | |
| 30A(C)28X584H | 28 | 39,5 | 79,0 | 250 | 3000 | 60,2 | 124,7 | | | | | | | | |
| 30A(C)32X584 | 32 | 45,1 | 75,2 | 250 | 2500 | 62,0 | 128,3 | | | | | | | | |
| 30A(C)32X584H | 32 | 45,1 | 90,2 | 250 | 3000 | 66,5 | 137,3 | | | | | | | | |
| 30A(C)36X584 | 36 | 50,8 | 84,6 | 250 | 2500 | 63,5 | 131,4 | | | | | | | | |
| 30A(C)36X584H | 36 | 51,3 | 95,8 | 250 | 2800 | 68,0 | 140,5 | 27 | M8 | 52,4 | 26,2 | 19 | M8 | 52,4 | 26,2 |
| 30A(C)42X584 | 42 | 59,9 | 91,8 | 230 | 2300 | 66,3 | 137,0 | | | | | | | | |
| 30A(C)42X584H | 42 | 59,9 | 99,8 | 230 | 2500 | 70,8 | 146,1 | | | | | | | | |
| 30A(C)46X584H | 46 | 65,6 | 100,5 | 230 | 2300 | 72,7 | 149,8 | | | | | | | | |
| 30A(C)50X584H | 50 | 71,3 | 99,8 | 200 | 2100 | 74,5 | 153,4 | | | | | | | | |
| 30A(C)55X584H | 55 | 78,4 | 91,4 | 200 | 1750 | 76,7 | 157,9 | | | | | | | | |
| 30A(C)60X584H | 60 | 85,5 | 99,8 | 180 | 1750 | 78,7 | 162,4 | | | | | | | | |



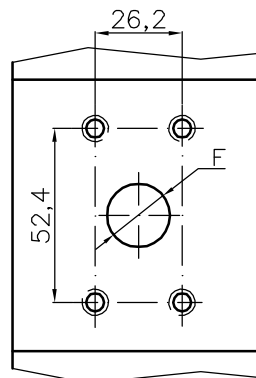
GEAR PUMP TYPE PGP 30A(C)...X610H-V

| Type | Displacement cm ³ /rev | Flow | | Pressure P _{nom} bar | max Speed n rpm | Dimension | | | | | | | | | |
|--------------------|--------------------------------------|----------------------|---------------------|-------------------------------------|-----------------------|-----------|---------|----|-----|--------|------|----|-----|------|------|
| | | at 1500 rpm l/min | at max rpm l/min | | | Inlet | | | | Outlet | | | | | |
| | | | | | | A mm | B mm | F1 | d | H1 | L1 | F2 | d | H2 | L2 |
| 30A(C)22,2X610H-V | 22,5 | 31,7 | 63,5 | 250 | 3000 | 57,6 | 116,2 | 25 | M10 | 52,4 | 26,2 | 19 | M10 | 52,4 | 26,2 |
| 30A(C)25X610H-V | 25 | 35,3 | 70,5 | 250 | 3000 | 58,3 | 117,6 | | | | | | | | |
| 30A(C)28X610H-V | 28 | 39,5 | 79,0 | 250 | 3000 | 60,2 | 121,2 | | | | | | | | |
| 30A(C)32X610H-V | 32 | 45,1 | 90,2 | 250 | 3000 | 66,5 | 133,8 | | | | | | | | |
| 30A(C)36X610H-V | 36 | 50,8 | 94,8 | 250 | 2800 | 68,0 | 137,0 | | | | | | | | |
| 30A(C)42X610H-V | 42 | 59,2 | 98,7 | 230 | 2500 | 70,8 | 142,6 | | | | | | | | |
| 30A(C)46X610H-V | 46 | 65,6 | 100,5 | 230 | 2300 | 72,7 | 146,3 | | | | | | | | |
| 30A(C)50X610H-V | 50 | 71,3 | 99,8 | 200 | 2100 | 74,5 | 149,9 | | | | | | | | |
| 30A(C)55X610H-V | 55 | 78,4 | 91,4 | 200 | 1750 | 76,7 | 154,4 | | | | | | | | |
| 30A(C)60X610H-V | 60 | 85,5 | 99,8 | 180 | 1750 | 78,7 | 158,9 | | | | | | | | |
| 30A(C)22,2X610HH-V | 22,5 | 31,7 | 63,5 | 250 | 3000 | 62,1 | 125,2 | 25 | M10 | 52,4 | 26,2 | 19 | M10 | 52,4 | 26,2 |
| 30A(C)25X610HH-V | 25 | 35,3 | 70,5 | 250 | 3000 | 62,8 | 126,6 | | | | | | | | |
| 30A(C)28X610HH-V | 28 | 39,5 | 79,0 | 250 | 3000 | 64,7 | 130,2 | | | | | | | | |

*designation: 30A(C)...X610HE-V



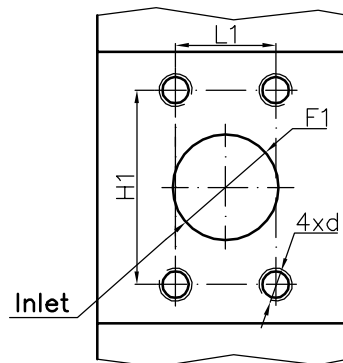
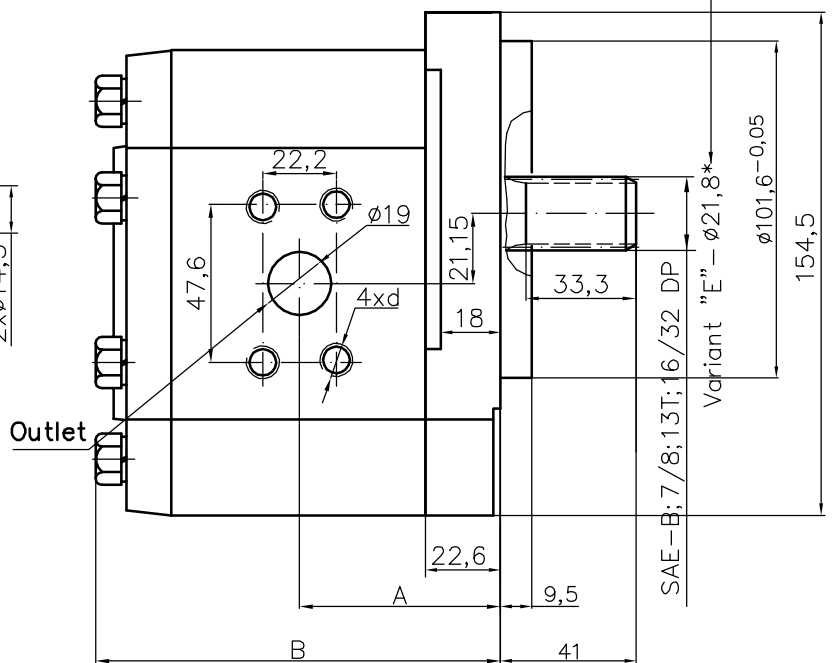
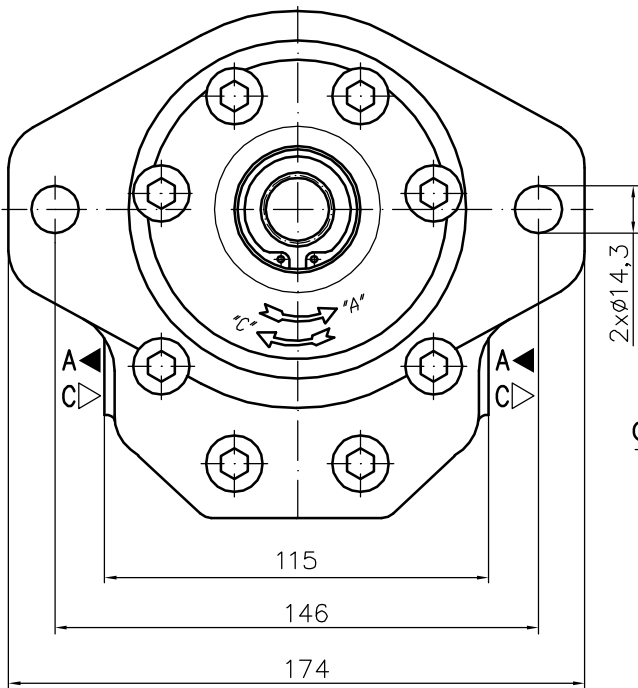
Ports measure for 30A(C)22,5X610H-V
30A(C)25X610H-V
30A(C)28X610H-V



GEAR PUMP TYPE PGP 30A(C)...X613H

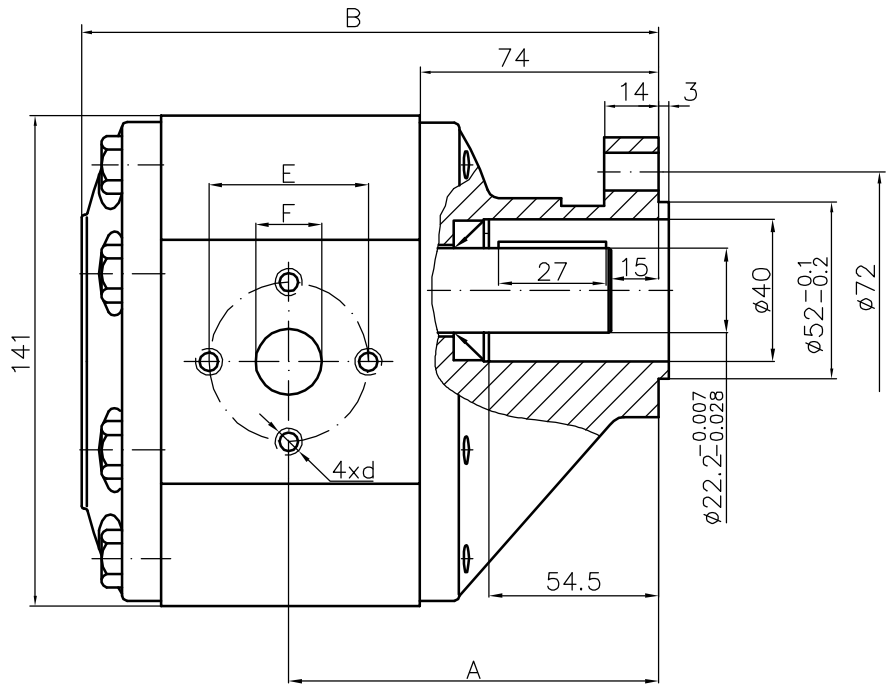
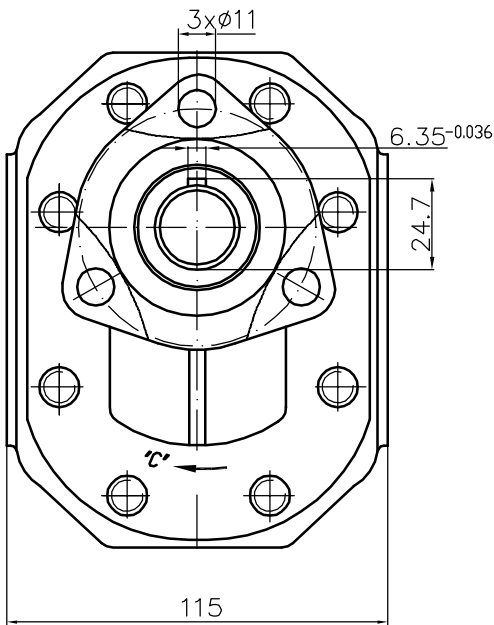
| Type | Displacement cm ³ /rev | Flow | | Pressure P _{nom} bar | max Speed n rpm | Dimension | | | | | | | | | |
|-----------------|--------------------------------------|----------------------|---------------------|-------------------------------------|-----------------------|-----------|---------|----|---------------|--------|------|----|---------------|------|------|
| | | at 1500 rpm l/min | at max rpm l/min | | | Inlet | | | | Outlet | | | | | |
| | | | | | | A mm | B mm | F1 | d | H1 | L1 | F2 | d | H2 | L2 |
| 30A(C)20X613H | 20 | 28,2 | 56,4 | 250 | 3000 | 56,1 | 116,7 | 19 | 3/8"-16UNC-2B | 47,6 | 22,2 | 19 | 3/8"-16UNC-2B | 47,6 | 22,2 |
| 30A(C)22,2X613H | 22,5 | 31,7 | 63,5 | 250 | 3000 | 57,6 | 119,7 | | | | | | | | |
| 30A(C)25X613H | 25 | 35,3 | 70,5 | 250 | 3000 | 58,3 | 121,1 | | | | | | | | |
| 30A(C)28X613H | 28 | 39,5 | 79,0 | 250 | 3000 | 60,2 | 124,7 | | | | | | | | |
| 30A(C)32X613 | 32 | 45,1 | 75,2 | 250 | 2500 | 62,0 | 128,3 | | | | | | | | |
| 30A(C)32X613H | 32 | 45,1 | 90,2 | 250 | 3000 | 66,5 | 137,3 | | | | | | | | |
| 30A(C)36X613 | 36 | 50,8 | 84,6 | 250 | 2500 | 63,5 | 131,4 | | | | | | | | |
| 30A(C)36X613H | 36 | 51,3 | 95,8 | 250 | 2800 | 68,0 | 140,5 | | | | | | | | |
| 30A(C)42X613 | 42 | 59,9 | 91,8 | 230 | 2300 | 66,3 | 137,0 | | | | | | | | |
| 30A(C)42X613H | 42 | 59,9 | 99,8 | 230 | 2500 | 70,8 | 146,1 | | | | | | | | |
| 30A(C)46X613H | 46 | 65,6 | 100,5 | 230 | 2300 | 72,7 | 149,8 | | | | | | | | |
| 30A(C)50X613H | 50 | 71,3 | 99,8 | 200 | 2100 | 74,5 | 153,4 | | | | | | | | |
| 30A(C)55X613H | 55 | 78,4 | 91,4 | 200 | 1750 | 76,7 | 157,9 | | | | | | | | |
| 30A(C)60X613H | 60 | 85,5 | 99,8 | 180 | 1750 | 78,7 | 162,4 | | | | | | | | |

*designation: 30A(C)...X613HE



GEAR PUMP TYPE PGP 30A(C)...X615H

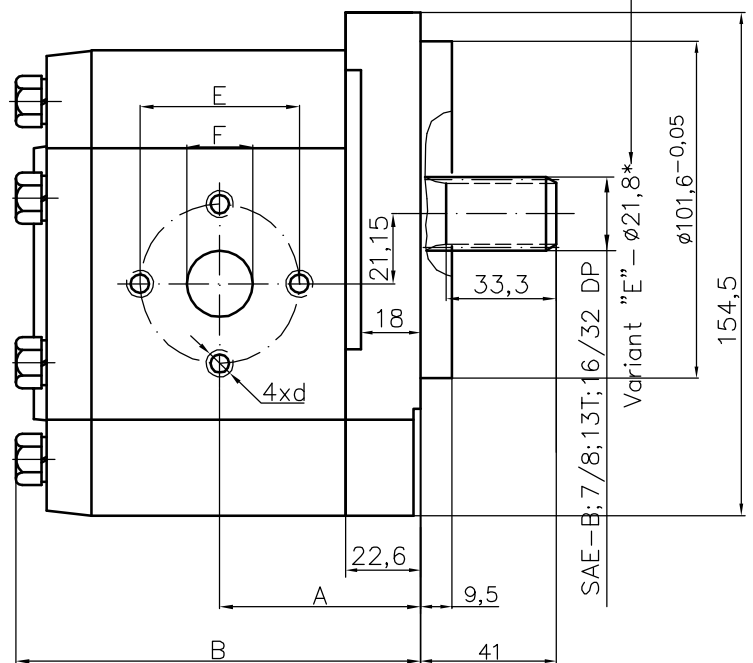
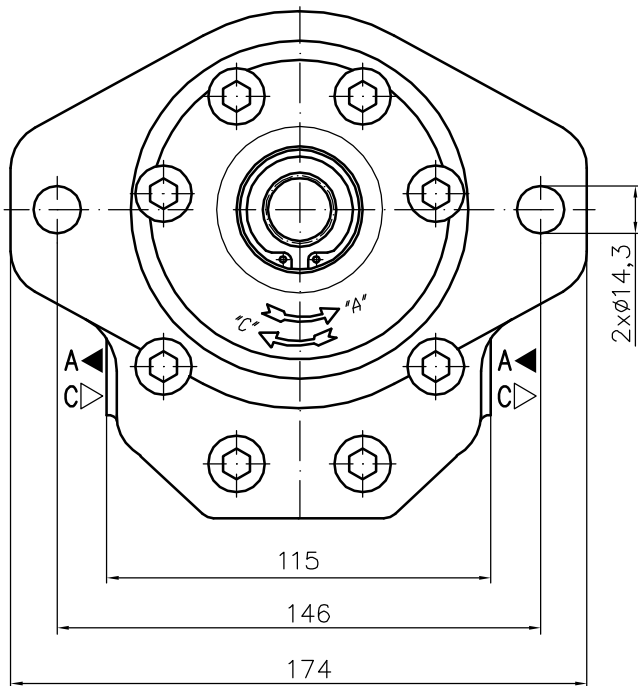
| Type | Displacement cm ³ /rev | Flow | | Pressure P _{nom} bar | max Speed n rpm | Dimension | | | | | | | |
|---------------|--------------------------------------|----------------------|---------------------|-------------------------------------|-----------------------|-----------|---------|---------|---------|----|-------|-------|----|
| | | at 1500 rpm l/min | at max rpm l/min | | | Inlet | | Outlet | | | | | |
| | | A mm | B mm | E mm | d mm | F mm | E mm | d mm | F mm | | | | |
| 30A(C)32X615H | 32 | 45,1 | 90,2 | 250 | 3000 | 117,8 | 188,2 | 48,12 | M8-6H | 28 | 48,12 | M8-6H | 20 |
| 30A(C)36X615H | 36 | 51,3 | 95,8 | 250 | 2800 | 119,5 | 191,4 | | | | | | |
| 30A(C)42X615H | 42 | 59,9 | 99,8 | 230 | 2500 | 122,2 | 197,0 | | | | | | |
| 30A(C)46X615H | 46 | 65,6 | 100,5 | 230 | 2300 | 124,1 | 200,7 | | | | | | |
| 30A(C)50X615H | 50 | 71,3 | 99,8 | 200 | 2100 | 125,9 | 204,3 | | | | | | |
| 30A(C)55X615H | 55 | 78,4 | 91,4 | 200 | 1750 | 128,1 | 208,8 | | | | | | |
| 30A(C)60X615H | 60 | 85,5 | 99,8 | 180 | 1750 | 130,4 | 213,3 | | | | | | |



GEAR PUMP TYPE PGP 30A(C)...X616H

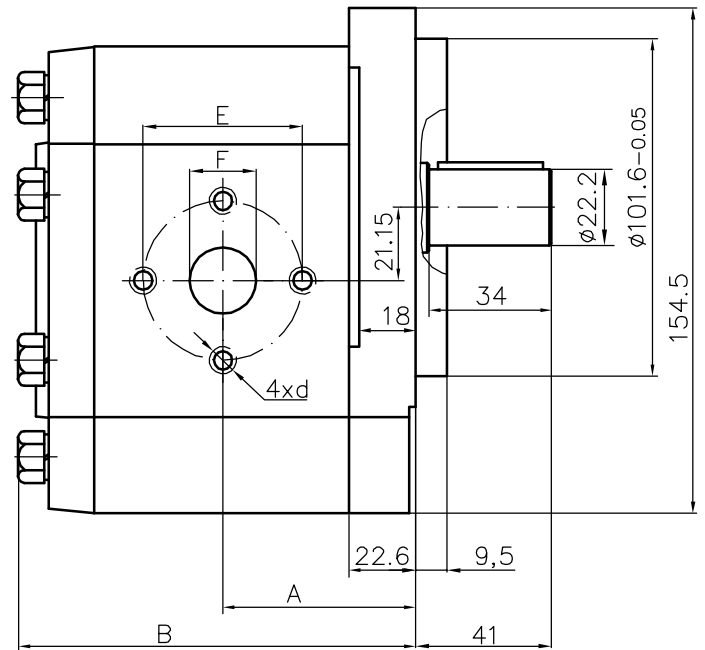
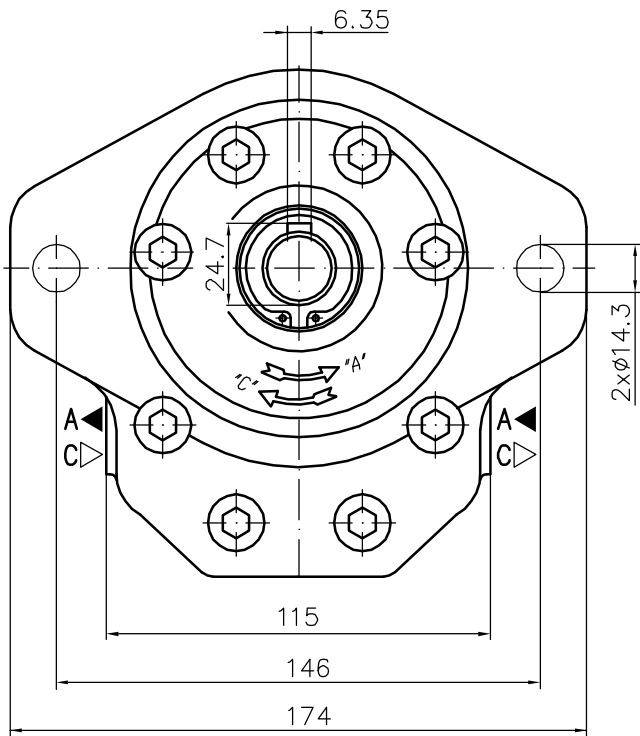
| Type | Displacement cm ³ /rev | Flow | | Pressure P _{nom} bar | max Speed n rpm | Dimension | | | | | | | |
|-----------------|--------------------------------------|----------------------|---------------------|-------------------------------------|-----------------------|-----------|-------|--------|----------------|----|-------|----------------|----|
| | | at 1500 rpm l/min | at max rpm l/min | | | Inlet | | Outlet | | | | | |
| | | A | B | E | d | F | E | d | F | | | | |
| 30A(C)20X616H | 20 | 28,2 | 56,4 | 250 | 3000 | 56,1 | 114,7 | 48,12 | 5/16"-18UNC-2B | 27 | 48,12 | 5/16"-18UNC-2B | 19 |
| 30A(C)22,2X616H | 22,5 | 31,7 | 63,5 | 250 | 3000 | 57,6 | 117,7 | | | | | | |
| 30A(C)25X616H | 25 | 35,3 | 70,5 | 250 | 3000 | 58,3 | 119,1 | | | | | | |
| 30A(C)28X616H | 28 | 39,5 | 79,0 | 250 | 3000 | 60,2 | 122,7 | | | | | | |
| 30A(C)32X616 | 32 | 45,1 | 75,2 | 250 | 2500 | 62,0 | 126,3 | | | | | | |
| 30A(C)32X616H | 32 | 45,1 | 90,2 | 250 | 3000 | 66,5 | 135,3 | | | | | | |
| 30A(C)36X616 | 36 | 50,8 | 84,6 | 250 | 2500 | 63,5 | 129,4 | | | | | | |
| 30A(C)36X616H | 36 | 51,3 | 95,8 | 250 | 2800 | 68,0 | 138,5 | | | | | | |
| 30A(C)42X616 | 42 | 59,9 | 91,8 | 230 | 2300 | 66,3 | 135,0 | | | | | | |
| 30A(C)42X616H | 42 | 59,9 | 99,8 | 230 | 2500 | 70,8 | 144,0 | | | | | | |
| 30A(C)46X616H | 46 | 65,6 | 100,5 | 230 | 2300 | 72,7 | 147,8 | | | | | | |
| 30A(C)50X616H | 50 | 71,3 | 99,8 | 200 | 2100 | 74,5 | 151,4 | | | | | | |
| 30A(C)55X616H | 55 | 78,4 | 91,4 | 200 | 1750 | 76,7 | 155,9 | | | | | | |
| 30A(C)60X616H | 60 | 85,5 | 99,8 | 180 | 1750 | 78,7 | 160,4 | | | | | | |

*designation: 30A(C)...X616HE



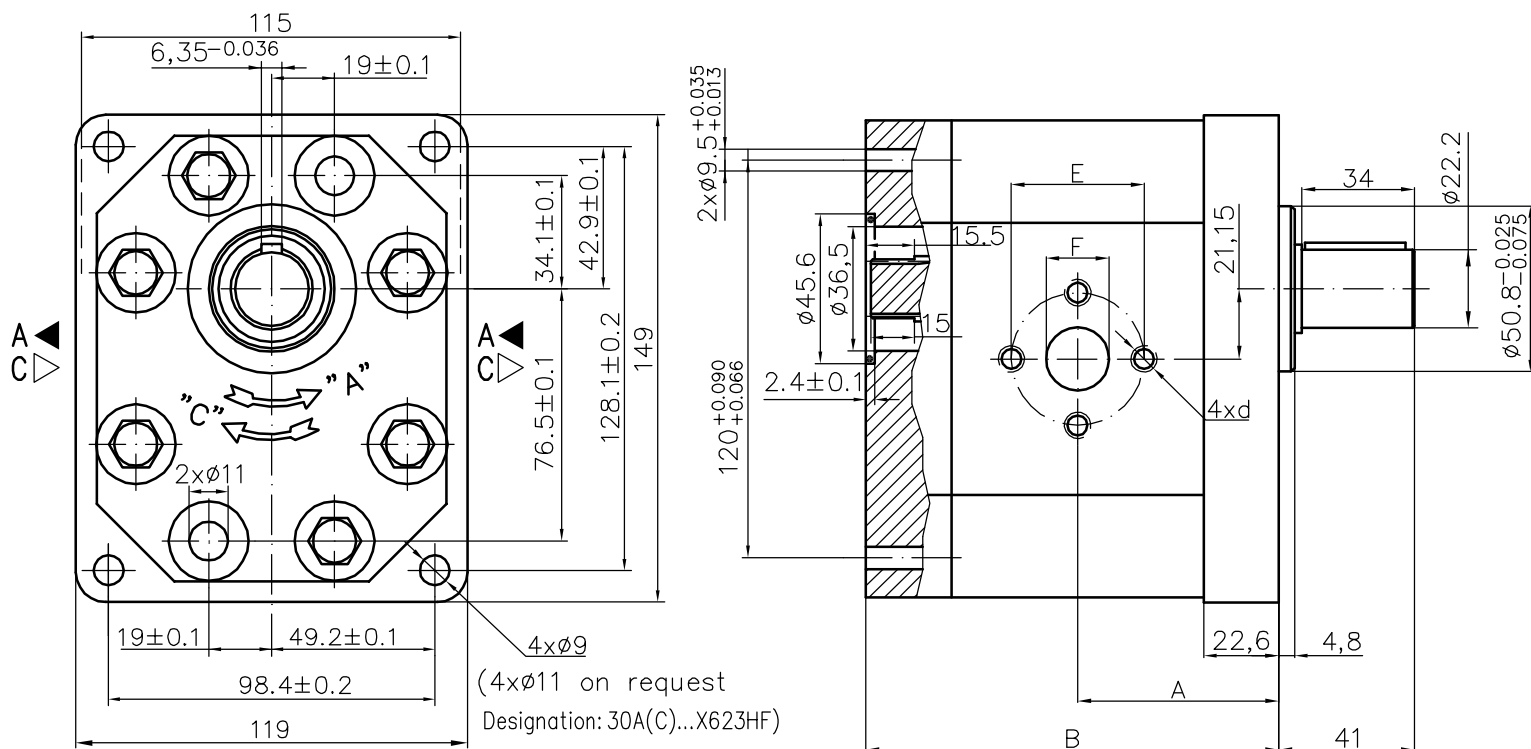
GEAR PUMP TYPE PGP 30A(C)...X617H

| Type | Displacement cm ³ /rev | Flow | | Pressure P _{nom} bar | max Speed n rpm | Dimension | | | | | | | |
|-----------------|--------------------------------------|----------------------|---------------------|-------------------------------------|-----------------------|-----------|---------|---------|----------------|---------|---------|----------------|---------|
| | | at 1500 rpm l/min | at max rpm l/min | | | Inlet | | Outlet | | | | | |
| | | | | | | A mm | B mm | E mm | d mm | F mm | E mm | d mm | F mm |
| 30A(C)20X617H | 20 | 28,2 | 56,4 | 250 | 3000 | 56,1 | 114,7 | 48,12 | 5/16"-18UNC-2B | 27 | 48,12 | 5/16"-18UNC-2B | 19 |
| 30A(C)22,2X617H | 22,5 | 31,7 | 63,5 | 250 | 3000 | 57,6 | 117,7 | | | | | | |
| 30A(C)25X617H | 25 | 35,3 | 70,5 | 250 | 3000 | 58,3 | 119,1 | | | | | | |
| 30A(C)28X617H | 28 | 39,5 | 79,0 | 250 | 3000 | 60,2 | 122,7 | | | | | | |
| 30A(C)32X617 | 32 | 45,1 | 75,2 | 250 | 2500 | 62,0 | 126,3 | | | | | | |
| 30A(C)32X617H | 32 | 45,1 | 90,2 | 250 | 3000 | 66,5 | 135,3 | | | | | | |
| 30A(C)36X617 | 36 | 50,8 | 84,6 | 250 | 2500 | 63,5 | 129,4 | | | | | | |
| 30A(C)36X617H | 36 | 51,3 | 95,8 | 250 | 2800 | 68,0 | 138,5 | | | | | | |
| 30A(C)42X617 | 42 | 59,9 | 91,8 | 230 | 2300 | 66,3 | 135,0 | | | | | | |
| 30A(C)42X617H | 42 | 59,9 | 99,8 | 230 | 2500 | 70,8 | 144,0 | | | | | | |
| 30A(C)46X617H | 46 | 65,6 | 100,5 | 230 | 2300 | 72,7 | 147,8 | | | | | | |
| 30A(C)50X617H | 50 | 71,3 | 99,8 | 200 | 2100 | 74,5 | 151,4 | | | | | | |
| 30A(C)55X617H | 55 | 78,4 | 91,4 | 200 | 1750 | 76,7 | 155,9 | | | | | | |
| 30A(C)60X617H | 60 | 85,5 | 99,8 | 180 | 1750 | 78,7 | 160,4 | | | | | | |



| Type | Displacement cm ³ /rev | Flow | | Pressure P _{nom} bar | max Speed n rpm | Dimension | | | | | | | |
|-----------------|--------------------------------------|----------------------|---------------------|-------------------------------------|-----------------------|-----------|---------|---------|---------|---------|---------|---------|---------|
| | | at 1500 rpm l/min | at max rpm l/min | | | Inlet | | | Outlet | | | | |
| | | | | | | A mm | B mm | E mm | d mm | F mm | E mm | d mm | F mm |
| 30A(C)20X623H | 20 | 28,2 | 56,4 | 250 | 3000 | 56,1 | 114,7 | 40 | M8 | 19 | 40 | M8 | 19 |
| 30A(C)22,2X623H | 22,5 | 31,7 | 63,5 | 250 | 3000 | 57,6 | 117,7 | | | | | | |
| 30A(C)25X623H | 25 | 35,3 | 70,5 | 250 | 3000 | 58,3 | 119,1 | | | | | | |
| 30A(C)28X623H | 28 | 39,5 | 79,0 | 250 | 3000 | 60,2 | 122,7 | | | | | | |
| 30A(C)32X623H | 32 | 45,1 | 90,2 | 250 | 3000 | 66,5 | 135,3 | | | | | | |
| 30A(C)36X623H | 36 | 51,3 | 95,8 | 250 | 2800 | 68,0 | 138,5 | 51 | M10 | 27 | 40 | M8 | 19 |
| 30A(C)42X623H | 42 | 59,9 | 99,8 | 230 | 2500 | 70,8 | 144,0 | | | | | | |
| 30A(C)46X623H | 46 | 65,6 | 100,5 | 230 | 2300 | 72,7 | 147,8 | | | | | | |
| 30A(C)50X623H | 50 | 71,3 | 99,8 | 200 | 2100 | 74,5 | 151,4 | | | | | | |
| 30A(C)55X623H | 55 | 78,4 | 91,4 | 200 | 1750 | 76,7 | 155,9 | | | | | | |
| 30A(C)60X623H | 60 | 85,5 | 99,8 | 180 | 1750 | 78,7 | 160,4 | | | | | | |

Designed as a first section of multiple gear pumps group 33.



GEAR PUMP TYPE PGP 30A(C)...X624H

| Type | Displacement cm ³ /rev | Flow | | Pressure P _{nom} bar | max Speed n rpm | Dimension | | | | | | | |
|-----------------|--------------------------------------|----------------------|---------------------|-------------------------------------|-----------------------|-----------|---------|---------|---------------|---------|---------|---------------|---------|
| | | at 1500 rpm l/min | at max rpm l/min | | | Inlet | | Outlet | | | | | |
| | | | | | | A mm | B mm | E mm | d mm | F mm | E mm | d mm | F mm |
| 30A(C)20X624H | 20 | 28,2 | 56,4 | 250 | 3000 | 56,1 | 116,7 | 48,12 | 5/16-18UNC-2B | 22 | 48,12 | 5/16-18UNC-2B | 20 |
| 30A(C)22,2X624H | 22,5 | 31,7 | 63,5 | 250 | 3000 | 57,6 | 119,7 | | | | | | |
| 30A(C)25X624H | 25 | 35,3 | 70,5 | 250 | 3000 | 58,3 | 121,1 | | | | | | |
| 30A(C)28X624H | 28 | 39,5 | 79,0 | 250 | 3000 | 60,2 | 124,7 | | | | | | |
| 30A(C)32X624 | 32 | 45,1 | 75,2 | 250 | 2500 | 62,0 | 128,3 | | | | | | |
| 30A(C)32X624H | 32 | 45,1 | 90,2 | 250 | 3000 | 66,5 | 137,3 | | | | | | |
| 30A(C)36X624 | 36 | 50,8 | 84,6 | 250 | 2500 | 63,5 | 131,4 | | | | | | |
| 30A(C)36X624H | 36 | 51,3 | 95,8 | 250 | 2800 | 68,0 | 140,5 | | | | | | |
| 30A(C)42X624 | 42 | 59,9 | 91,8 | 230 | 2300 | 66,3 | 137,0 | | | | | | |
| 30A(C)42X624H | 42 | 59,9 | 99,8 | 230 | 2500 | 70,8 | 146,1 | | | | | | |
| 30A(C)46X624H | 46 | 65,6 | 100,5 | 230 | 2300 | 72,7 | 149,8 | | | | | | |
| 30A(C)50X624H | 50 | 71,3 | 99,8 | 200 | 2100 | 74,5 | 153,4 | | | | | | |
| 30A(C)55X624H | 55 | 78,4 | 91,4 | 200 | 1750 | 76,7 | 157,9 | | | | | | |
| 30A(C)60X624H | 60 | 85,5 | 99,8 | 180 | 1750 | 78,7 | 162,4 | | | | | | |

